



OUTLINE DIMENSIONS  
3-PHASE INDUCTION MOTOR

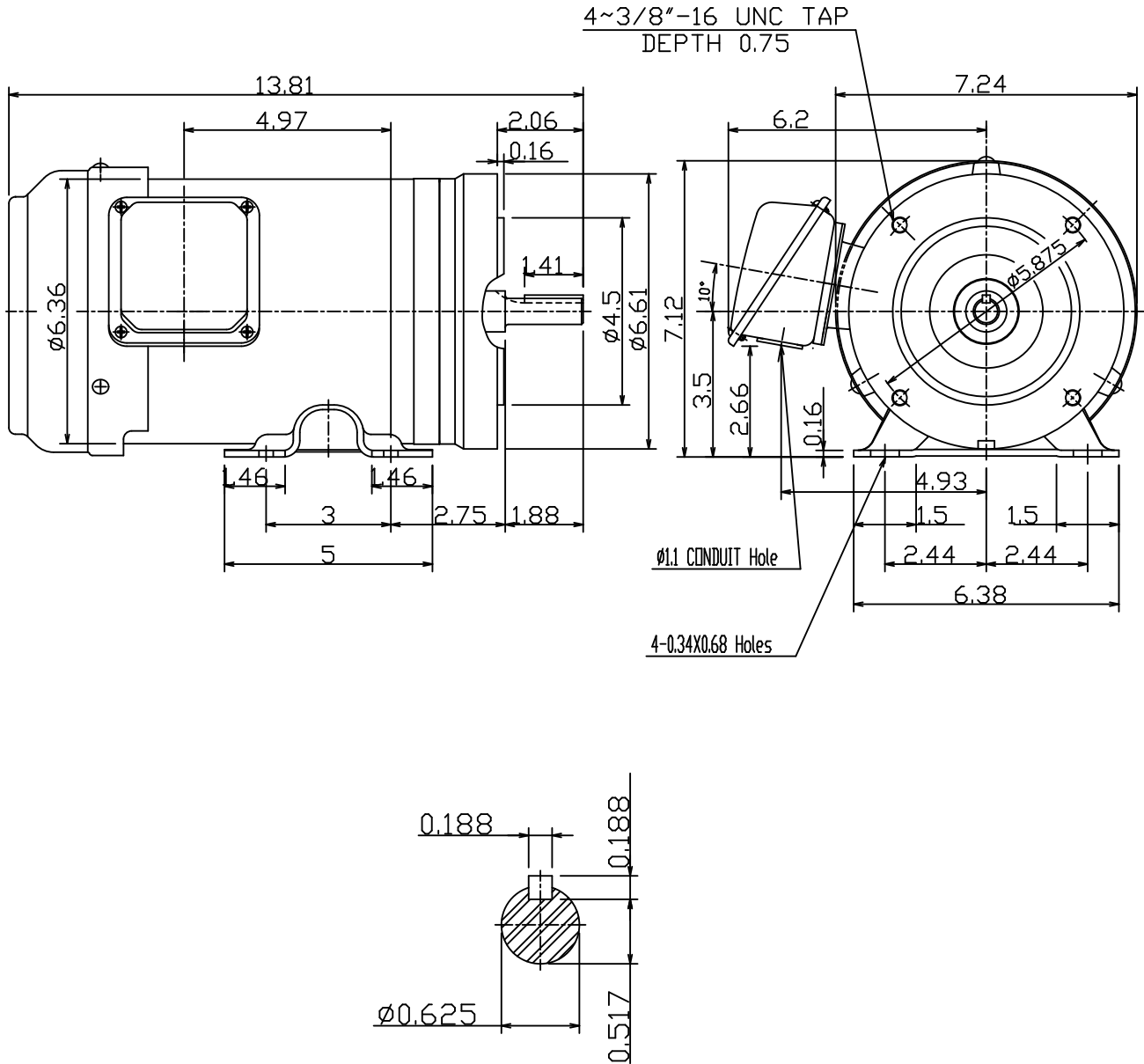
MOTOR TYPE:  
AEGHCF

DATE FEBRUARY 16, 2012

FRAME NO. 56C

Pole	HP	kW	Hz	VOLT	r/min
4	.5	.37	60	230/460	1800

Ins	Rating	Dimension in	Approx Weight	Bearings
F	CONT.	inch.	29	DE: 6205ZZ NDE: 6204ZZ



DWN.	陳奕元	03-01-11
CHKD.	陳敬元	03-01-11
APPD.	蔡明 <sup>o</sup> ×	03-01-11



DWG NO.  
31049Z107990