

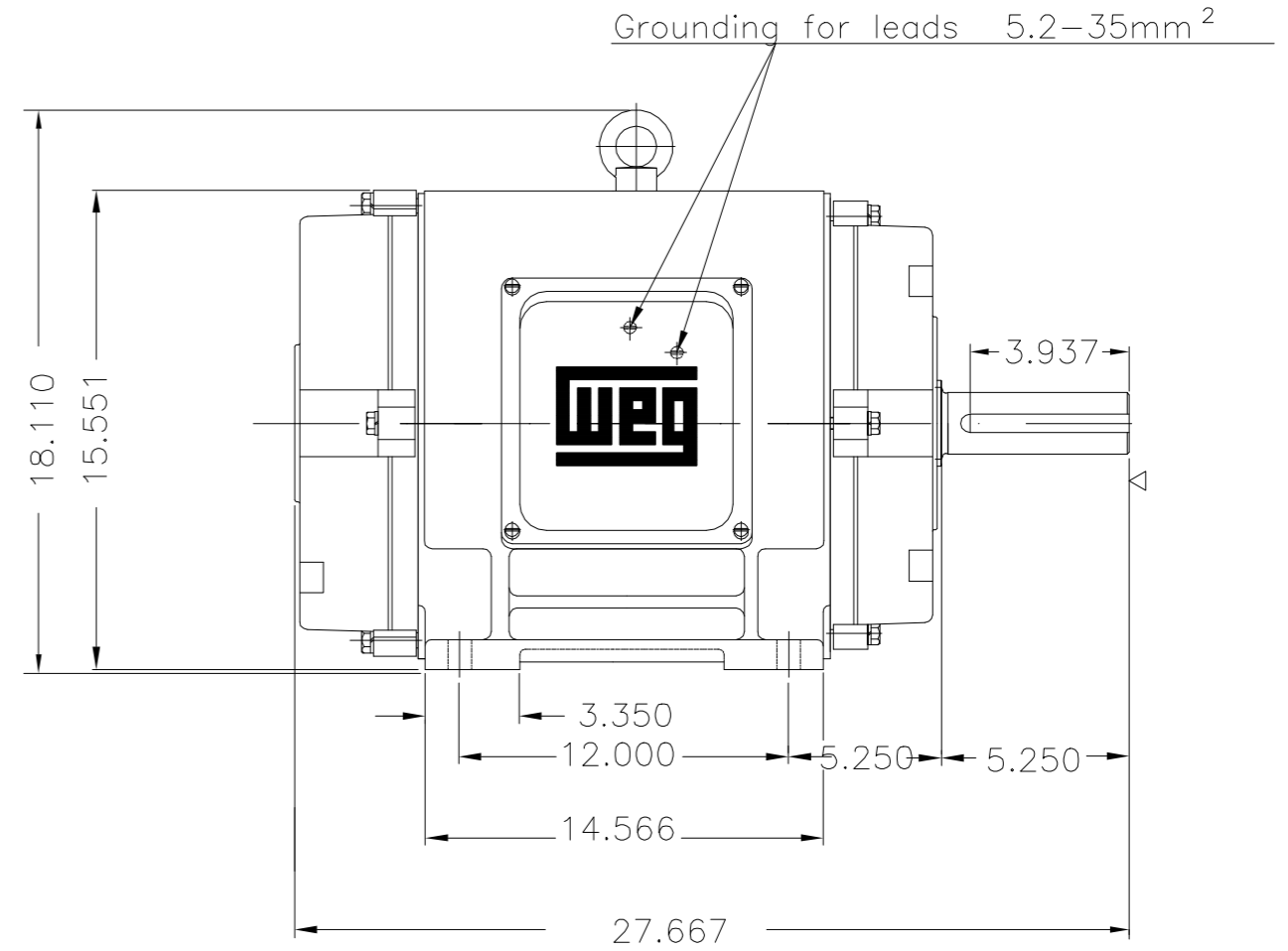
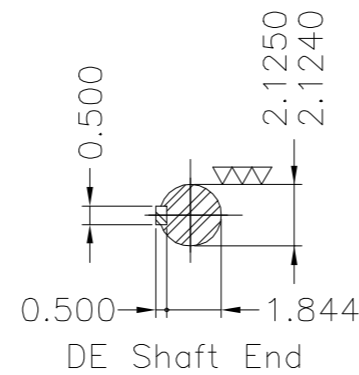
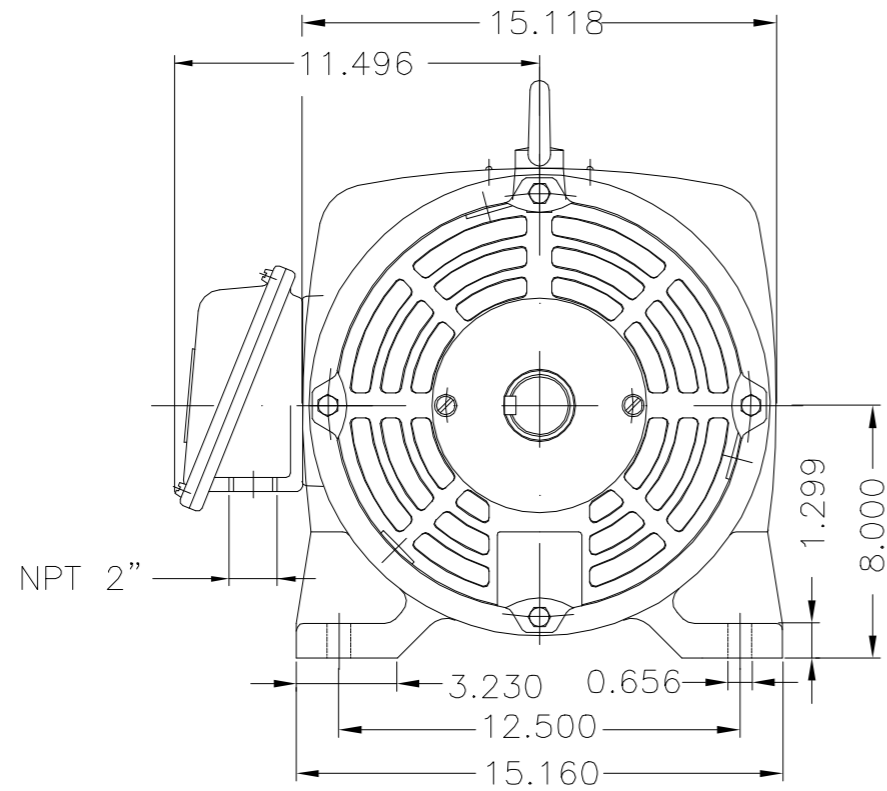
EIXO/SHAFT	
PADRÃO/STANDARD	X
OPCIONAL/OPTIONAL	
ESPECIAL/SPECIAL	

Dimensões em polegadas
Dimensions in inches

CERTIFIED WEG MOTORES

Certified document.
Not subject to changes.

THIS IS AN UPDATED REVISION, THE PREVIOUS ONE MUST BE DISREGARDED.



Kit porta escova de aterramento AEGIS SGR-58.8-3MFH / Brush holder kit AEGIS SGR-58.8-3MFH
 Tampa dianteira especial / Special DE endshield
 Plano de pintura 203A / Painting plan 203A
 Forma construtiva NEMA F-1 / Mounting NEMA F-1
 Forma construtiva B3D / Mounting B3R(D)

WEG ELECTRIC CORPORATION - WEC

500000897148		ALT. PARA NORMAL	DWAGNER	PETTINE	31.05.2014	01
500000857248		DOCUMENTO NOVO	SCARMAGNANI	DAYANAR	20.02.2014	00
ECM	LOC	SUMMARY OF MODIFICATIONS	EXECUTED	CHECKED	RELEASED	DATE VER
EXECUTED	SCARMAGNANI	THREE PHASE NEMA P. EFF MOTOR FRAME 326T IP23	10002721144			
CHECKED			000 01			
RELEASED	DAYANAR		SHEET 1 / 1			
REL DT	20.02.2014		WMO	JARAGUA DO SUL		

50 HP 04 Poles 60Hz 413332708/0 MEC

A