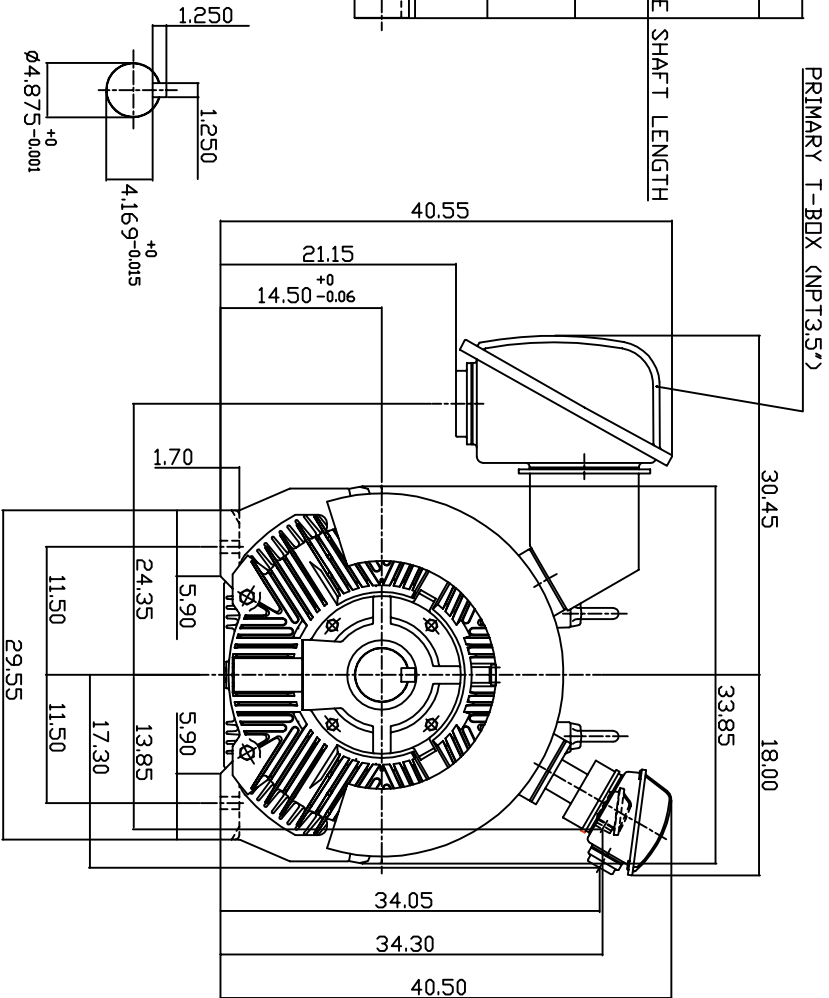
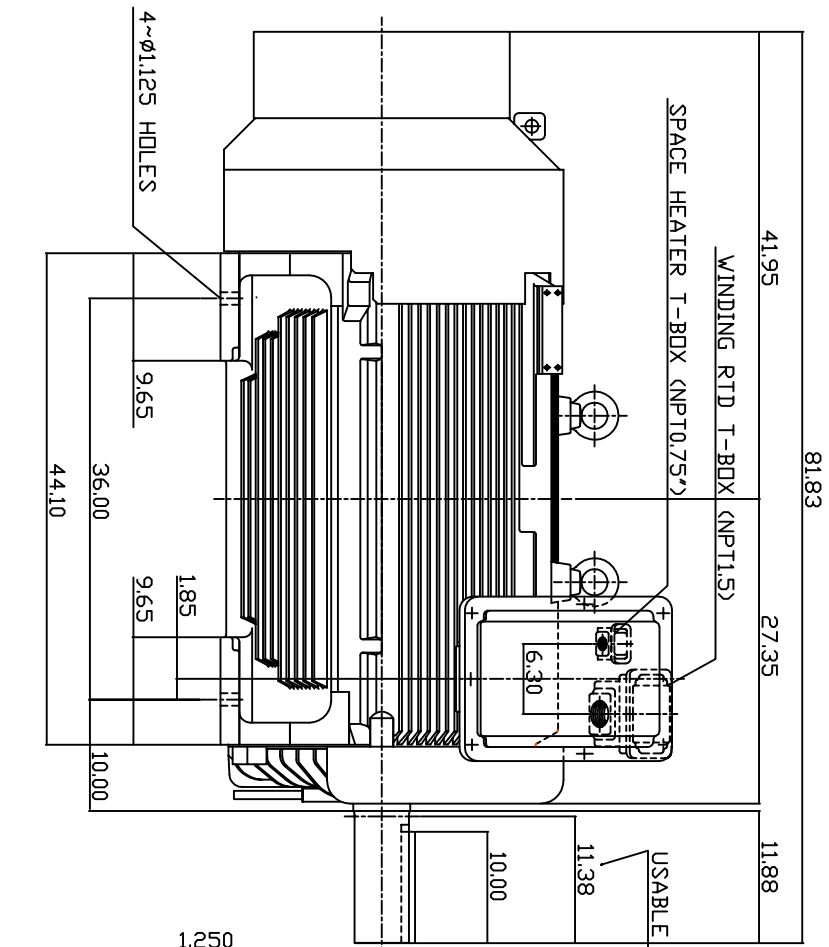


TYPE	OUTPUT		POLE	TIME RATING	VOLTAGE V	Hz	SYN SPEED R.P.M
	HP.	KW.					
AEHGTK	600	448	6	CDNT.	2300/4160	60	1200

TOTALLY ENCLOSED FAN-COOLED TYPE, SQUIRREL-CAGE ROTOR



- NOTE: DIMENSIONS IN INCH.
1. FRAME NO. 5810C
 2. F CLASS INSULATION, S.F.1.15
 3. FOR BELT DRIVE APPLICATIONS
 4. WITH SPACE HEATER 120 VOLT SINGLE PHASE 200 WATTS
 5. WITH 100 OHM PLATINUM WINDING RTD'S 2/PHASE
 6. BEARING SIZE: DRIVE END: NU326
NON-DRIVE END: 6322
 7. MOTOR APPROX. WEIGHT: 5300 LBS

TW-66C

DWN.	W.LLIN	MAY-03-2003
CHKD.	W.LLIN	MAY-03-2003
APPD.	C.WANG	MAY-03-2003

DATE	MAY 6, 2004	OUTLINE DIMENSIONS
CATALOG NO.	KG6006R	3-PHASE INDUCTION MOTOR

TECO Westinghouse DWG NO. 3A040T462 REV: 00