

DATE
February 16, 2004

OUTLINE DIMENSIONS
3-PHASE INDUCTION MOTOR

MODEL TYPE:
ASGA

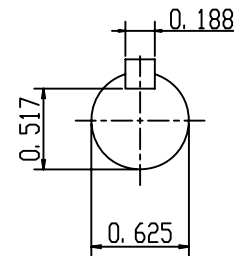
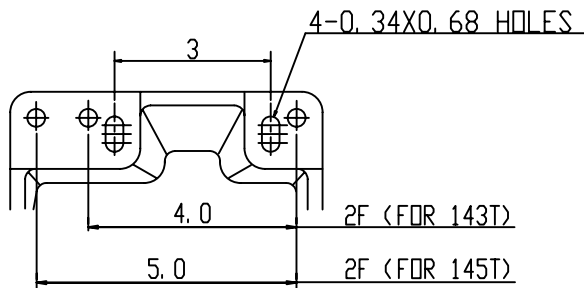
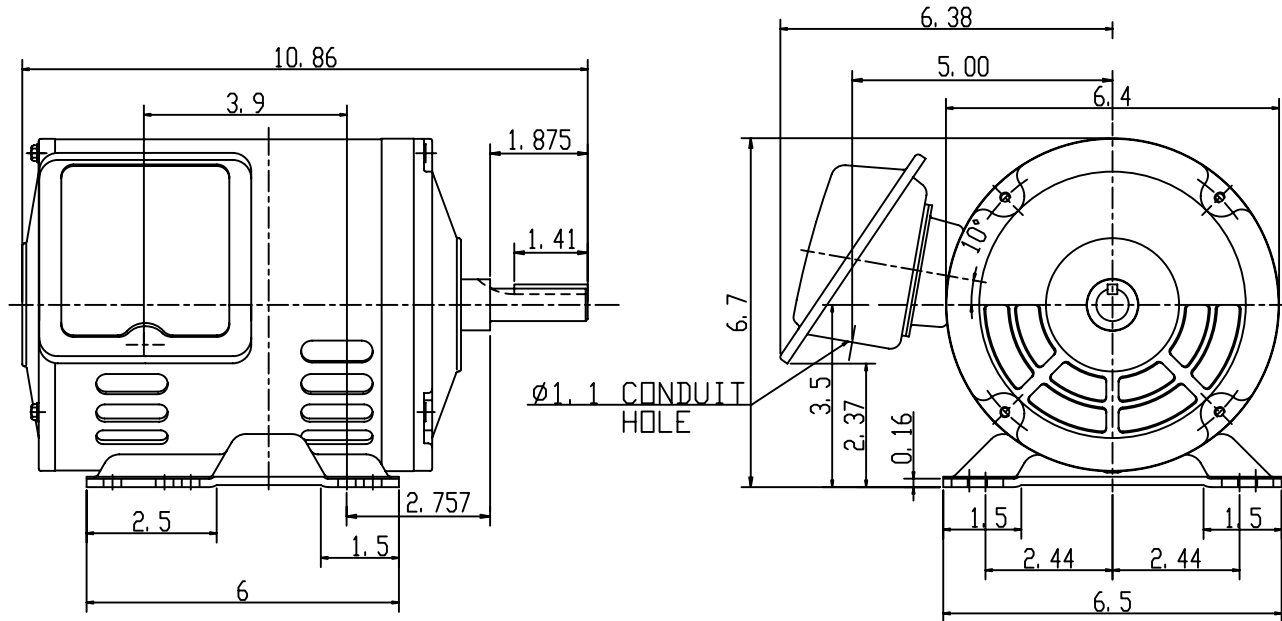
CATALOG NO.
DS1/52

FRAME NO. A56

Pole	HP	KW	Hz	VOLT	Syn. Speed R. P. M
2	1.5	1	60	230/460	3600

Ins.	Rating	Dimensions in	Approx Weight	Bearings
F	CONT.	inch	25.08 lbs	DE: 6205ZZ NDE: 6204ZZ

OPEN DRIP - PROOF



SCALE=3: 1

APPD.	W. H. TSAI	07 21 03	J:\Sales-Mkt\TFrame\TECH-SUP\Auto Cad Drawings\New\logoblackwhite_1.tif	DWG NO.	31049Z105 0833
CHKD.	J. B. CHEN	07 20 03			
DWN.	Y. Y. CHEN	07 20 03			