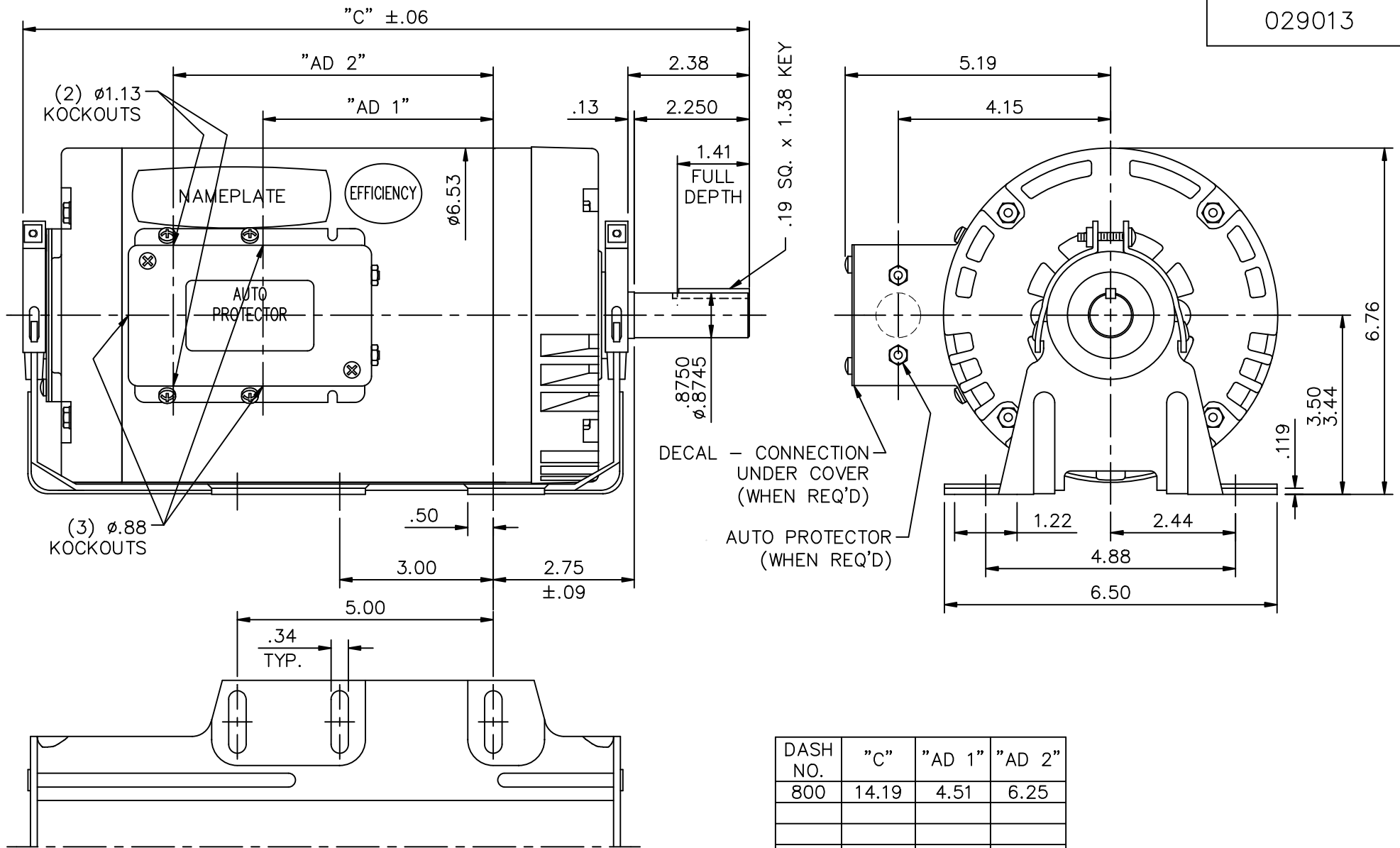


029013



| DASH NO. | "C" | "AD 1" | "AD 2" |
|----------|-------|--------|--------|
| 800 | 14.19 | 4.51 | 6.25 |
| | | | |
| | | | |

| TOLERANCES UNLESS SPECIFIED | |
|-----------------------------|--------|
| DEC. | INCHES |
| .X | ±.1 |
| .XX | ±.03 |
| .XXX | ±.005 |
| .XXXX | ±.0005 |
| CHK ANG | ±1/2° |



ELECTRIC MOTORS
GEARMOTORS
AND DRIVES

| | |
|-------|--------------|
| DRAWN | LST 11/22/10 |
| CHK | |
| APPD | |
| SCALE | 3=8 |
| REF | |
| FMF | |
| PREV | |

| | |
|--------|--|
| TITLE | OUTLINE - 56HZ FRAME DRIP PROOF - RESILIENT EISA BASE |
| MAT'L. | GENERAL PURPOSE |
| FINISH | |

| NO. | REVISION | BY & DATE |
|-----|----------|-----------|
| | | |

THIS DRAWING IN DESIGN AND DETAIL IS OUR PROPERTY AND MUST NOT BE USED EXCEPT IN CONNECTION WITH OUR WORK ALL RIGHTS OF DESIGN AND INVENTION ARE RESERVED THIS IS AN ELECTRONICALLY GENERATED DOCUMENT - DO NOT SCALE THIS PRINT

RFP
DIST BRF-NLV

CAD FILE 029013

| | | |
|------|-------------|------|
| SIZE | DRAWING NO. | REV. |
| A | 029013 | |