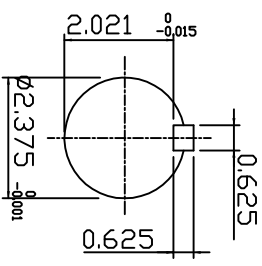
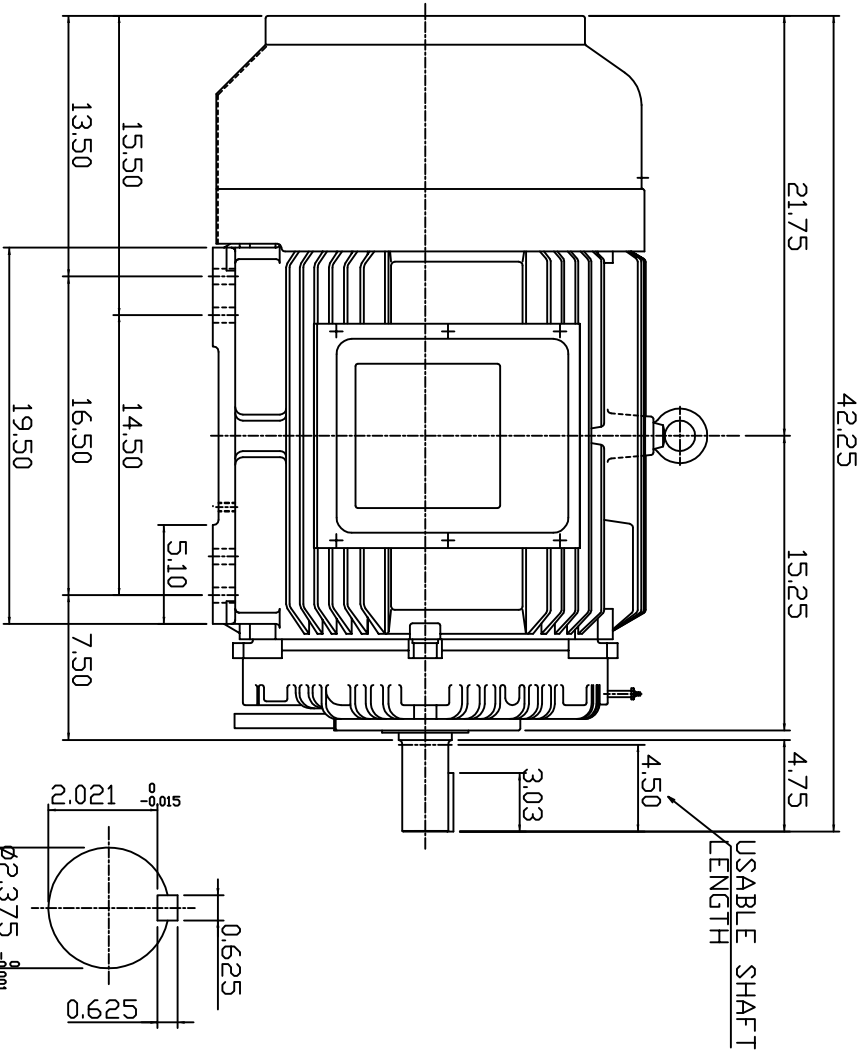
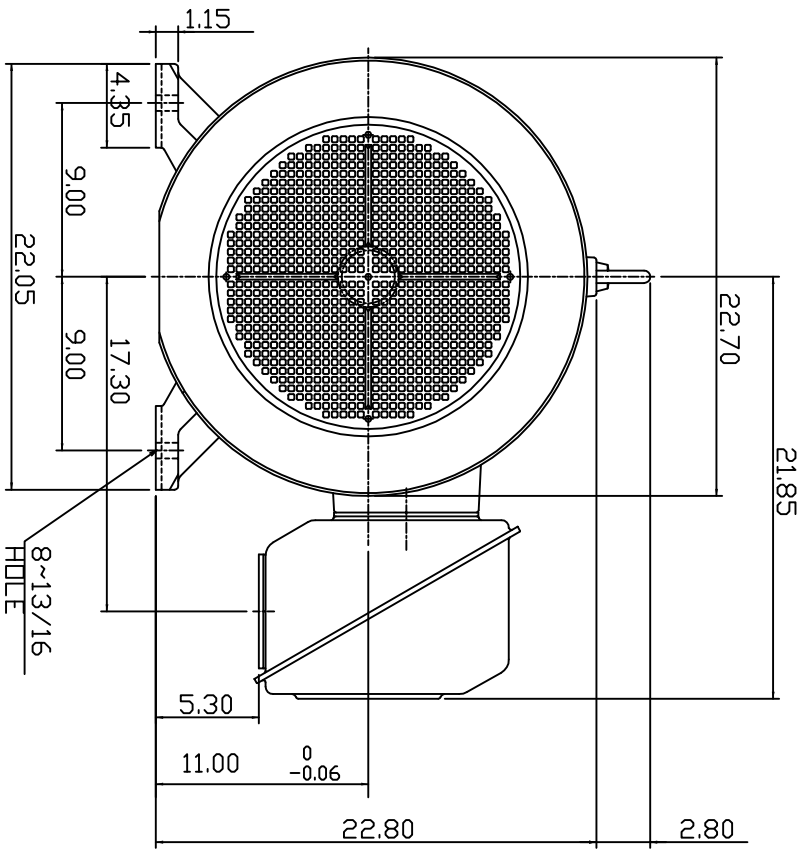


TYPE	OUTPUT		POLE	TIME RATING	VOLTAGE V	Hz	SYN SPEED RPM
	HP.	KW.					
AEHH8P	150	111.9	2	CONT.	460	60	3600

TOTALLY ENCLOSED FAN-COOLED TYPE, SQUIRREL-CAGE ROTOR



- NOTE:
1. DIMENSIONS IN INCHES
 2. FRAME SIZE 445TS
 3. F CLASS INSULATION, S.F. 1.15
 4. FOR DIRECT FLEXIBLE COUPLING
 5. BEARING NO.: DRIVE END: 6314C3
OPP. DRIVE END: 6314C3
 6. ENCLOSURE: IP44
 7. APPRDX. WEIGHT: 1600 LBS

DWN.	SLEE	JAN. 26 2011	DATE	FEB. 11, 2011	OUTLINE DIMENSIONS
CHKD.	SLEE	JAN. 26 2011	CATALOG #:	NP1502	
APPD.	H.LIU	JAN. 26 2011			DWG NO. 3A049DWB10464-22
					REV: 00