

GENERAL INFORMATION:

SHAFT RUNOUT: .001[.03] T.I.R. PER INCH LENGTH OF EXTENSION

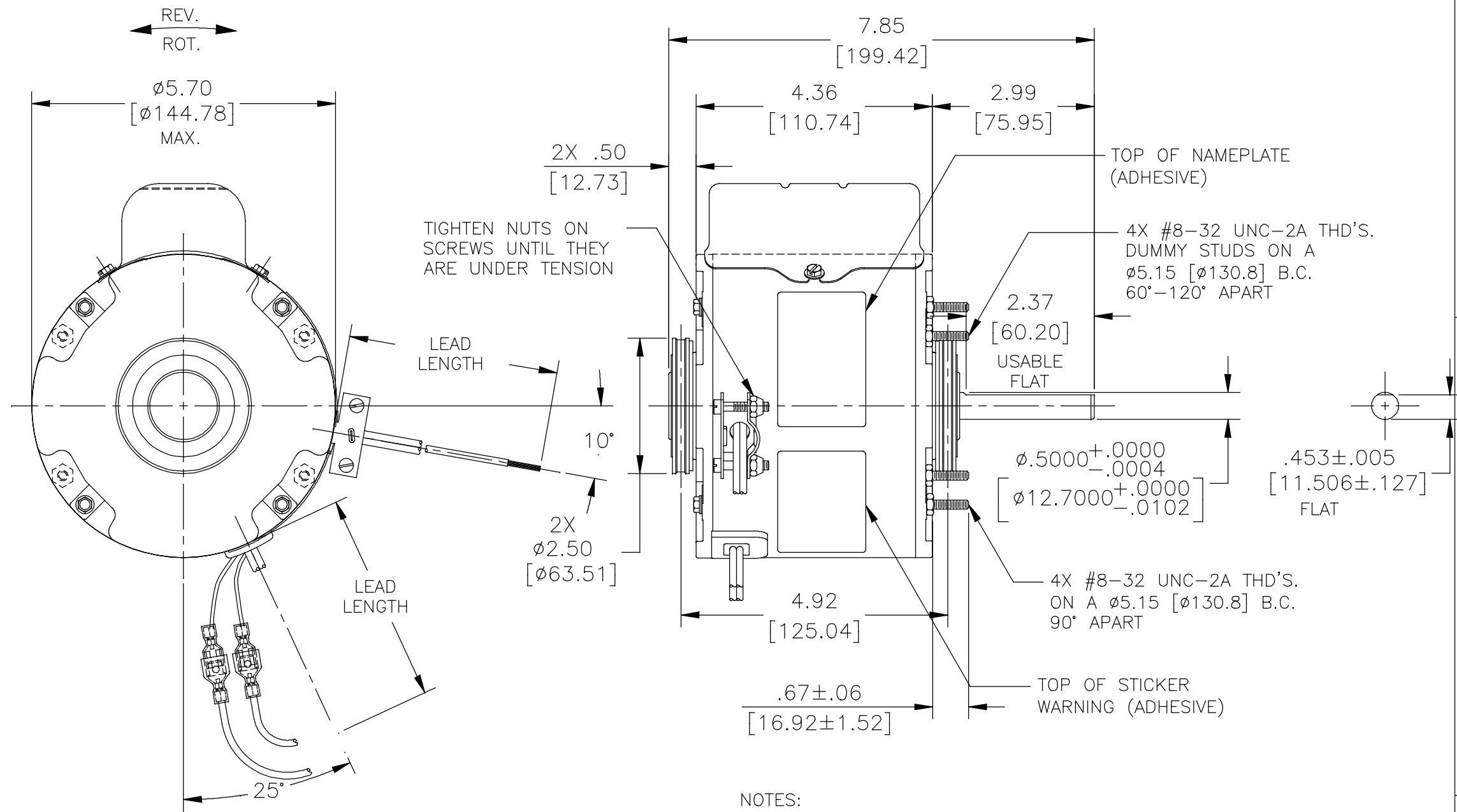
BEARINGS: BALL

MOUNTING POSITION: HORIZONTAL

ELECTRICAL DATA:

OVERLOAD PROTECTOR: AUTOMATIC RESET (SENSATA 7AM 036)

LEADS: NO. 18 GA., .03 [.8] THK. XLP 125°C INSUL.



NOTES:

- MOTOR SHIPPED CONNECTED FOR CCWLE ROTATION.
- (1) MOUNTING BASE 368C181H15
(2) CLAMP ASSEMBLIES 165A674A01 TO BE SHIPPED SEPARATELY IN EACH CARTON WITH MOTOR.

REGAL-BELOIT CORPORATION (RBC) PROVIDES TECHNICAL ASSISTANCE TO OUR CUSTOMERS IN SEVERAL AREAS. SINCE RBC DOES NOT RECEIVE ALL DATA CONCERNING THE USE AND APPLICATION OF THE MOTOR, THE SUITABILITY OF THE MOTOR FOR THE APPLICATION MUST BE DETERMINED BY THE CUSTOMER.

DIMENSIONS WITHOUT TOLERANCES ARE FOR REFERENCE ONLY.

MAIN FRAME - OLE	ENCLOSED
END FRAME - OLE	ENCLOSED
MAIN FRAME - LE	ENCLOSED
END FRAME - LE	ENCLOSED

CUSTOMER	DISTRIBUTION SERVICE
----------	----------------------

BLUE	5.0/7.0 [127/178]	.50 [12.7] SKIN
PURPLE	5.0/7.0 [127/178]	.50 [12.7] SKIN
ORANGE	5.0/7.0 [127/178]	.50 [12.7] SKIN
RED	5.0/7.0 [127/178]	.50 [12.7] SKIN
BROWN	CONNECTED TO CAPACITOR	.25 [6.4] FLAG
BROWN/WHITE	CONNECTED TO CAPACITOR	.25 [6.4] FLAG
YELLOW	58.0/62.0 [1473/1575]	.60 [15.2] SKIN
BLACK	58.0/62.0 [1473/1575]	.60 [15.2] SKIN
COLOR	LENGTH	TERMINAL OR STRIP LENGTH

LEAD DATA

NAMEPLATE DATA:	EXTERNAL CONNECTION DIAGRAM
MODEL NO.: F48E74A01 CUST. P/N: UH1026 HP: 1/4 ROT.: REVERSIBLE RPM: 1075 TYPE: UF FRAME: 48Y VOLTS: 115 PH: 1 AMPS: 4.9 HZ: 60 INS.: B AMB.: 40° C DUTY: AIR OVER CAP.: 5 MFD/370 V ENCL: ENCLOSED UL LOGO CSA LOGO THERMALLY PROTECTED	<p>SEP. CAP.</p> <p>BROWN</p> <p>BRN/WHT</p> <p>YELLOW</p> <p>BLACK</p> <p>LINE</p> <p>BLUE</p> <p>PURPLE</p> <p>RED</p> <p>ORANGE</p> <p>SHOWN FOR CCWLE ROT. FOR CWLE INTERCHANGE PUR. & ORN. LEADS</p> <p>614131-124</p>

PERFORMANCE CURVE NO.	TORQUE @ 1075 RPM (25°C)	APPROVED SAMPLE	UL COMPONENT		CSA	
			FILE #	CCN #	FILE #	CLASS #
C30977	27.0 OZ. FT.	93AC103A	E46412	PRGY2	LR43341	4211-01

DRAWING REVISION	REVISION BY	DATE
B	LISA.ZHU	03-26-2018
ECO	APPROVED BY	DATE
ECO-0139361	CADDIE.ZHOU	03-26-2018

SEE ECO

COPYRIGHT REGAL-BELOIT AMERICA, INC. ALL RIGHTS RESERVED. PROPRIETARY AND CONFIDENTIAL INFORMATION - THIS DOCUMENT IS THE PROPERTY OF REGAL-BELOIT AMERICA, INC. (OWNER) AND CONTAINS OWNER'S PROPRIETARY INFORMATION. ANY PERSON, CORPORATION OR OTHER FIRM RECEIVING IT IS DEEMED, BY RECEIVING IT, TO AGREE THAT IT, AND/OR ANY PART OF IT, SHALL NOT BE DISCLOSED TO ANY PERSON, CORPORATION OR OTHER ENTITY, DUPLICATED, AND/OR USED, EXCEPT AS EXPRESSLY APPROVED IN WRITING IN ADVANCE BY OWNER. THIS DOCUMENT SHALL BE RETURNED TO OWNER UPON REQUEST. IT MAY BE SUBJECT TO CERTAIN RESTRICTIONS UNDER APPLICABLE EXPORT CONTROL LAWS AND REGULATIONS.

DRAWN BY:	J.CHAI	Regal Beloit America, Inc.
DATE:	06-16-2016	
APPROVED BY:	C.ZHANG	DESCRIPTION
DATE:	06-16-2016	MODEL-RFHP-48FR
PROCESS/FINISH		OUTLINE
		MATERIAL
THIRD ANGLE PROJECTION	SIZE DWG NO C	UH1026
		SHEET 1