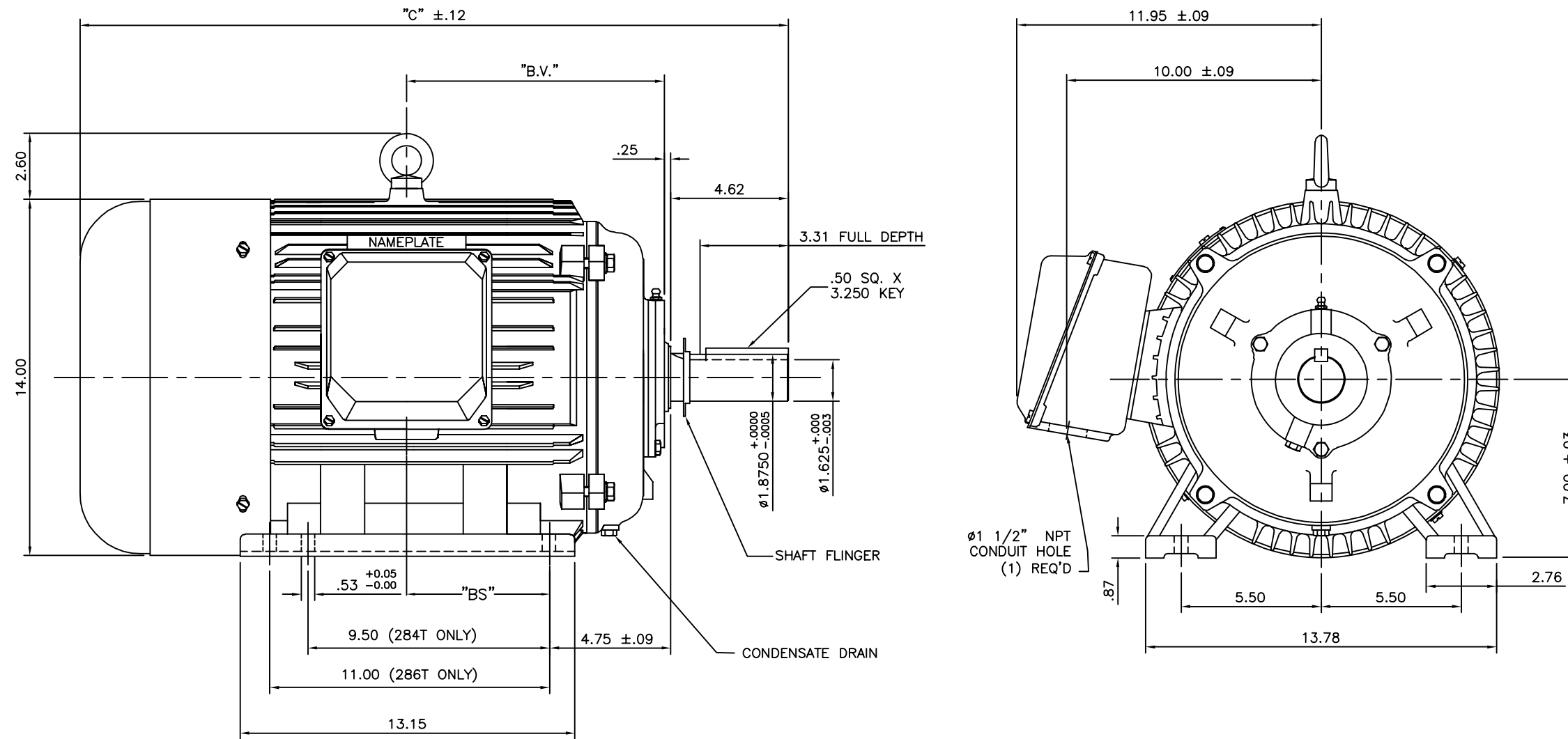


169539-60



NOTE: 286T HAS 6 MTG. HOLES, USING 284T AND 286T LOCATIONS

FRAME DESIGN	"C"	"BV"	"BS"
284T	26.26	9.65	
286T	27.83	10.43	5.51

		TOLERANCES UNLESS SPECIFIED		REGAL REGAL-BELOIT CORPORATION		DRAWN CJK 07/16/01	
		DEC.	INCHES			CHK	
03	ECO-0048910, REVISED 'BA' DIM.	RFH 04/04/14	EH .XX ±.03	TITLE OUTLINE-280T FRAME, TEFC-RIGID NEW CONDUIT BOX		SCALE N/A	
02	REDRAWN TO CURRENT CAD STANDARDS	CJK 07/13/99	.XXX ±.005			REF	
01	ADDED HOLE FOR 286T BASE	JJK 11/01/01	.XXX ±.0005			FMF	
NO.	REVISION	BY & DATE	CHK	ANG	FINISH	PREV	
THIS DRAWING IN DESIGN AND DETAIL IS OUR PROPERTY AND MUST NOT BE USED EXCEPT IN CONNECTION WITH OUR WORK ALL RIGHTS OF DESIGN AND INVENTION ARE RESERVED THIS IS AN ELECTRONICALLY GENERATED DOCUMENT - DO NOT SCALE THIS PRINT				RFP	CAD FILE	SIZE	DRAWING NO. PAGE OF REV.
				DIST		A	169539-60 03