

GENERAL INFORMATION:

SHAFT RUNOUT: .001 [.03] T.I.R. PER INCH LENGTH OF EXTENSION

END PLAY: .010 TO .063 [.25 TO 1.60]

BEARINGS: SLEEVE

MOUNTING POSITION: ANY ANGLE

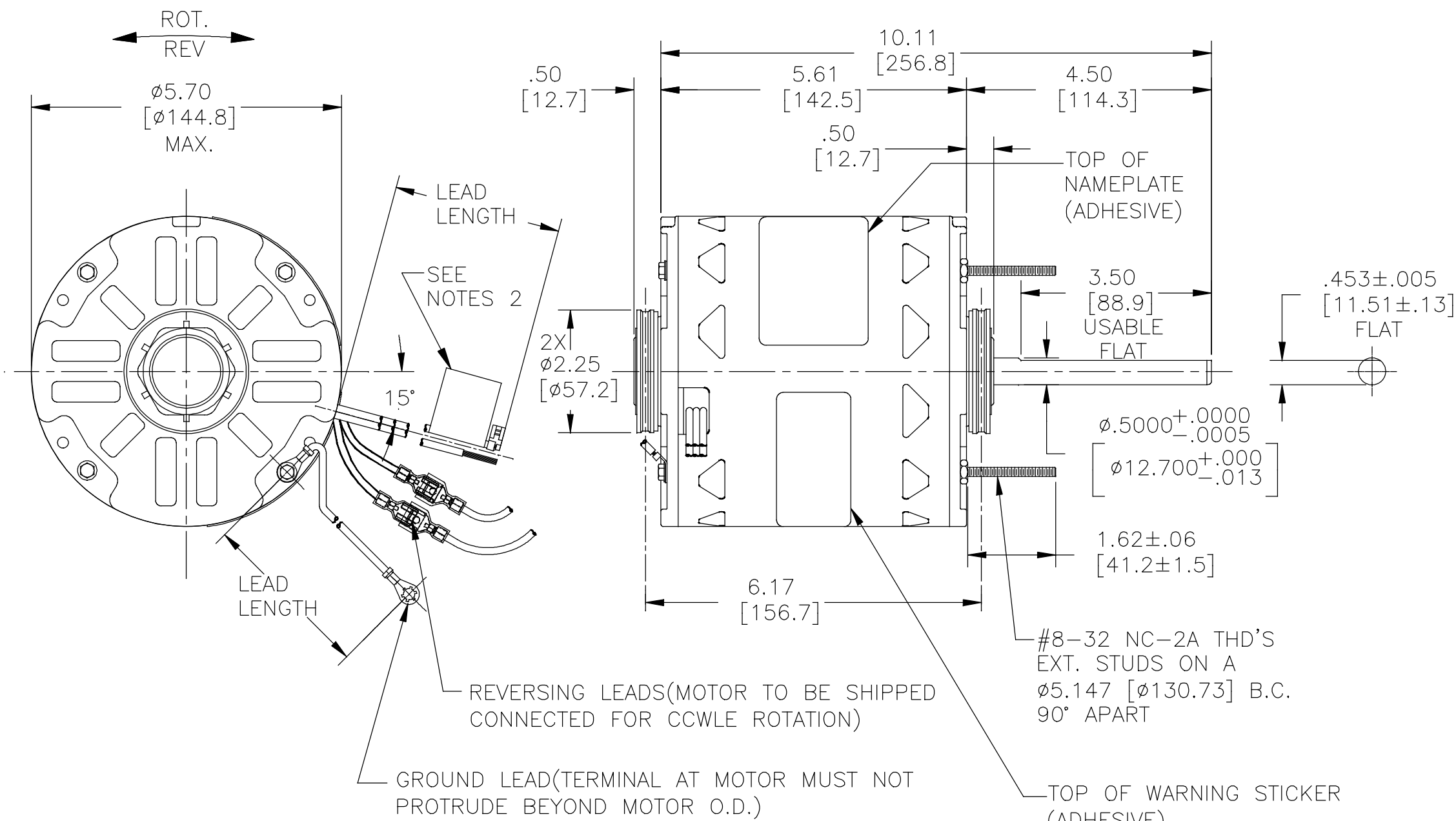
ELECTRICAL DATA:

OVERLOAD PROTECTOR: AUTOMATIC RESET (T.I. 7AM 036)

LINE LEADS: NO. 18 GA., .03 [.8] THK., 125°C INSUL.

REVERSING LEADS: NO. 18 GA., .03 [.8] THK., 125°C INSUL.

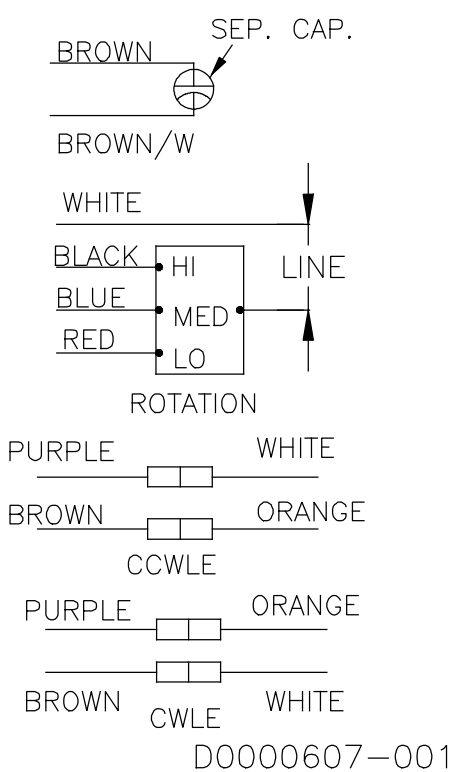
GROUND LEADS: NO. 18 GA., .03 [.8] THK., (GREEN) INSUL.



NAMEPLATE DATA:

MODEL NO.: F48SQ6L72
 CUST. P/N: DL1076
 HP: 3/4
 ROT: REVERSIBLE
 RPM: 1075/3 SPD.
 TYPE: UF
 FRAME: 48
 VOLTS: 115
 PH: 1
 AMPS: 9.5
 HZ: 60
 INS: B
 AMB: 50 °C
 DUTY: AIR OVER
 CAP.: 15 MFD/370V
 ENCL: OPEN
 CSA LOGO
 UL LOGO
 THERMALLY PROTECTED

EXTERNAL CONNECTION DIAGRAM



PERFORMANCE CURVE NO.	TORQUE @ 1075 RPM (25°C)	APPROVED SAMPLE	UL COMPONENT		CSA	
			FILE #	CCN #	FILE #	CLASS #
C24158	64.6 OZ.FT.	EX12243	E46412	PRGY2	LR43341	4211-01

LEAD DATA

COLOR	LENGTH	TERMINAL OR STRIP LENGTH
RED	26.0/28.0 [660/711]	.50[12.7] SKIN
BLUE	26.0/28.0 [660/711]	.50[12.7] SKIN
BLACK	26.0/28.0 [660/711]	.50[12.7] SKIN
WHITE	26.0/28.0 [660/711]	.50[12.7] SKIN
BROWN/WHITE	26.0/28.0 [660/711]	.25[6.4] FLAG
BROWN	26.0/28.0 [660/711]	.25[6.4] FLAG
PURPLE(REV)	4.5/5.5 [114/140]	.25[6.4] FEMALE INSUL. SPADE
ORANGE(REV)	4.5/5.5 [114/140]	.25[6.4] INSUL. MALE TAB
WHITE (REV)	4.5/5.5 [114/140]	.25[6.4] INSUL. MALE TAB
BROWN (REV)	4.5/5.5 [114/140]	.25[6.4] FEMALE INSUL. SPADE
GREEN (GRD)	12.0/13.0 [305/330]	10# EYELET

NOTES:

- SPLIT RING ADAPTOR 615035 (4 REQ'D) TO BE PACKED WITH EACH MOTOR.
- ATTACH WARNING/CONNECTION LABEL TO COMMON (WHITE) LEAD APPROX. 2.0[51] FROM MOTOR (ADHESIVE)

REGAL-BELOIT CORPORATION (RBC) PROVIDES TECHNICAL ASSISTANCE TO OUR CUSTOMERS IN SEVERAL AREAS. SINCE RBC DOES NOT RECEIVE ALL DATA CONCERNING THE USE AND APPLICATION OF THE MOTOR, THE SUITABILITY OF THE MOTOR FOR THE APPLICATION MUST BE DETERMINED BY THE CUSTOMER.

DIMENSIONS WITHOUT TOLERANCES ARE FOR REFERENCE ONLY.

ENCLOSURE

END FRAME - LE	OPEN	CUSTOMER	DISTRIBUTION SERVICES
MAIN FRAME - LE	OPEN		
END FRAME - OLE	OPEN		
MAIN FRAME - OLE	OPEN		

DRAWING REVISION	REVISION BY	DATE
D	CADDIE.ZHOU	02-18-2019
ECO	KEYUN.GONG	02-18-2019

ECO-0162011
 ECO DESCRIPTION
 CHANGE GREEN LENGTH FROM [305/406] TO [305/330]

COPYRIGHT REGAL-BELOIT AMERICA, INC. ALL RIGHTS RESERVED. PROPRIETARY AND CONFIDENTIAL INFORMATION - THIS DOCUMENT IS THE PROPERTY OF REGAL-BELOIT AMERICA, INC. (OWNER) AND CONTAINS OWNER'S PROPRIETARY INFORMATION. ANY PERSON, CORPORATION OR OTHER FIRM RECEIVING IT IS DEEMED, BY RECEIVING IT, TO AGREE THAT IT, AND/OR ANY PART OF IT, SHALL NOT BE DISCLOSED TO ANY PERSON, CORPORATION OR OTHER ENTITY, DUPLICATED, AND/OR USED, EXCEPT AS EXPRESSLY APPROVED IN WRITING IN ADVANCE BY OWNER. THIS DOCUMENT SHALL BE RETURNED TO OWNER UPON REQUEST. IT MAY BE SUBJECT TO CERTAIN RESTRICTIONS UNDER APPLICABLE EXPORT CONTROL LAWS AND REGULATIONS.

DRAWN BY:
S. THARP
DATE:
08-10-1995
APPROVED BY:
D. CORB
DATE:
07-31-1995
PROCESS/FINISH:
-

REGAL™ Regal Beloit America, Inc.

DESCRIPTION
MODEL-RFHP-48FR
OUTLINE

SIZE DWG NO
C DL1076
SHEET
1