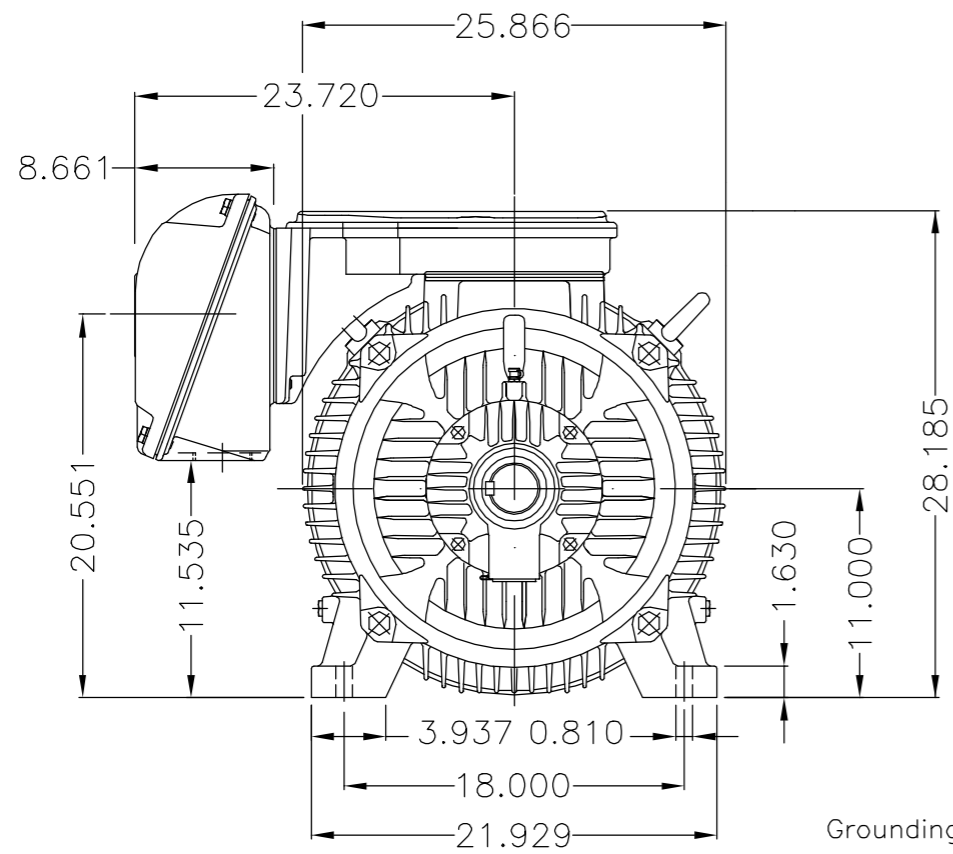


EIXO/SHAFT	
PADRÃO/STANDARD	X
OPCIONAL/OPTIONAL	
ESPECIAL/SPECIAL	

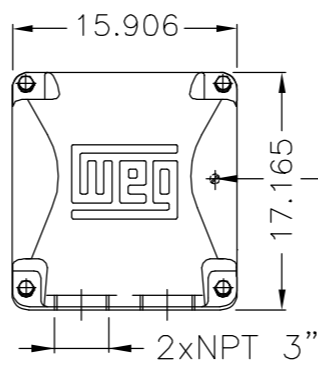
Dimensões em polegada
Dimensions in inches

THIS IS AN UPDATED REVISION, THE PREVIOUS ONE MUST BE DISREGARDED.

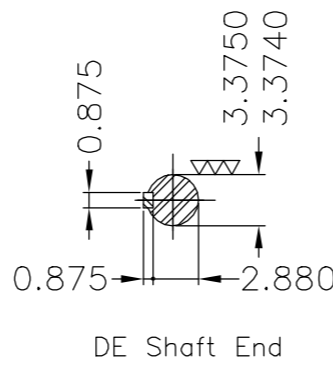
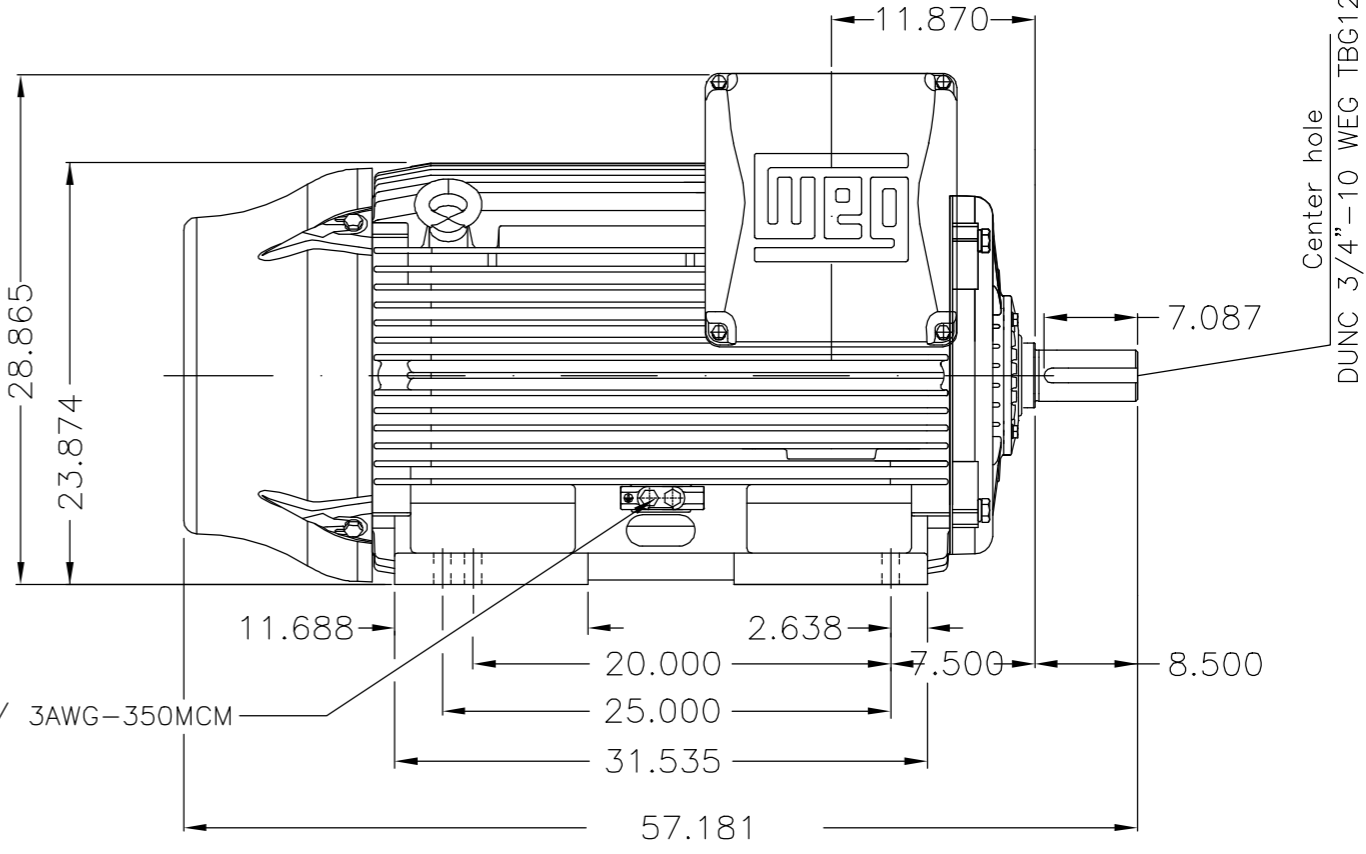
A
B
C
D
E



Grounding for leads 25-185 mm² / 3AWG-350MCM



Main terminal box



DE Shaft End

Rolamento dianteiro de rolos / DE roller bearing
Dispositivo de travamento de eixo / Shaft locking device
Linha do motor: Crusher Duty / Motor purpose: Crusher Duty
Tampa traseira com mancal eletricamente isolado NDE endshield with electrically insulated bearing hub
Cor RAL 5009 / Color RAL 5009
Plano de pintura 203A / Painting plan 203A
Forma construtiva B3D / Mounting B3R(D)

WEG EQUIPAMENTOS ELÉTRICOS S/A

500001311790	DOCUMENTO NOVO	GABRIELID	JMANENTE	23.05.2017	00		
ECM	LOC	SUMMARY OF MODIFICATIONS	EXECUTED	CHECKED	RELEASED	DATE	VER
EXECUTED	GABRIELID	THREE PHASE W22 MOTOR FRAME L447/9T IP55 TEFC	10004946483				
CHECKED			000	00			
RELEASED	JMANENTE						
REL DT	23.05.2017	WMO	Jaragua do Sul	Product Engineering	SHEET	1 / 1	

350 HP	06 Poles	60Hz	414668751	C
450 HP	04 Poles	60Hz	414668751	B
400 HP	04 Poles	60Hz	414668751	A

UNCONTROLLED COPY
RELEASED
ZME A3