

Product Information Packet

January 13, 2017

Data shown is for the current revision model #. Ensure your nameplate model # matches.

Model Number:	5KS404DAJ7008A
Catalog Number:	V4607
Instruction Manual:	GEK-95353
Connection Diagram:	GEM2034E-FIG19
Outline Drawing:	148CB40VMHKCCAA0001

Accessory Connection Diagrams

Bearing Thermocouple:	None	Heater:	3027JE-1C
RTD:	None	Thermistor:	None
Thermostat:	None	Winding Thermocouple:	None
Bearing RTD:	None		

Table of Contents

Specification	01
Performance Characteristics	02
Outline Drawing	03
Connection Drawing(s)	04
Spare parts	05



Marks:

MODEL NUMBER:	5KS404DAJ7008A	Estimated Weight:	1320 Lbs
Outline Drawing:	148CB40VMHKCCAA0001	Time Rating:	CONT
Connection Diagram:	GEM2034E-FIG19	Enclosure:	WPI
Instruction Book:	GEK-95353	Encl Construction:	OPEN
Design Code:	40BD3078A	Ambient Max(°C):	40
Type:	KS	Alt Ambient Max(°C):	--
Frame:	L404TP16	Insulation Class:	H
Phases:	3	NEMA Design:	B
Poles:	6	Nominal Efficiency:	94.5 %
Output Power:	60HP 44.4KW	Guaranteed Efficiency:	93.6
RPM:	1190	3/4 Load Efficiency:	94.9
Voltage:	460	KVA Code:	G
Hertz:	60	Max KVAR:	23.0
Amps - FL:	74.3	Power Factor:	80.0
Service Factor:	1.15	Bearing - DE:	6215C3
Alt Service Factor:	--	Bearing - ODE:	235A2532AA01

Enclosure is Weather Protected One

Stamped Nameplate Notes:

HTR LDS HE1-HE2 115V 100W
 ROT CCW FACING ODE LEAD/PH SEQ 1-2-3/1-2-3
 INVERTER DUTY PER NEMA MG1 PART 31
 ALTERNATE RATING FOR PWM CONTROL:1.0SF 40C AMBIENT
 VAR TORQUE RANGE 8-60 HZ
 SUITABLE FOR 50 HP, 380V 50HZ WITH
 87.2 AMPS AND 985 RPM AT 1.0 SF

Additional Information:

6 POLE,VERT HOLLOW SHAFT HIGH THRUST (1D)
 SPECIAL BALANCE
 700 CU IN - 3.00" NPT
 BEARING LIFE 8760 HRS AT 7800 LB THRUST
 OIL RESISTANT SLEEVING ON LEADS
 115V HTR LDS TO MAIN CONDUIT BOX
 COUPLING NOT INCLUDED IN BOM, WILL BE
 ORDERED SEPERATELY
 PART WINDING START
 CG: 18.30 IN FROM P-BASE FACE
 RCF: 3240 CPM AT C/BOX SIDE, 3780 CPM AT
 90 DEG FROM C/ BOX SIDE

Performance Characteristics

1st Winding 1st Connection

Design: 40BD3078A

Marks:

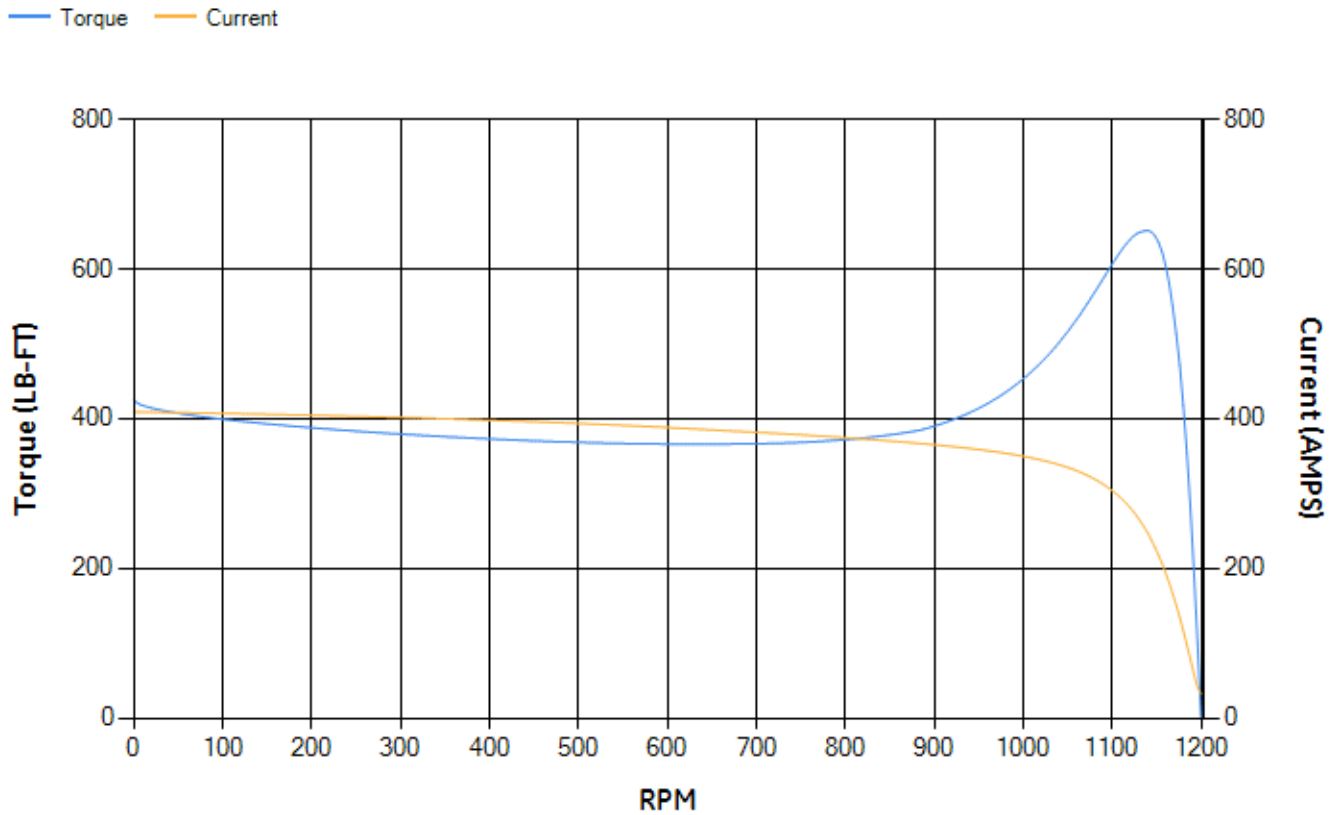
LOAD %	125.0	115.0	100.0	75.0	50.0	25.0	0.0
% EFF	93.84	94.14	94.71	94.86	94.6	92.15	0.00
% PF	82.4	81.77	80.21	75.13	64.28	41.71	2.99
AMPS	90.78	83.9	73.78	59.09	46.17	36.52	32.13

TORQ(FL)#FT	264.89	TORQ(LR)%FL	160.85	TORQ(BD)%FL	245.06
AMPS(LR)	409.12	PF AT START	0.35		

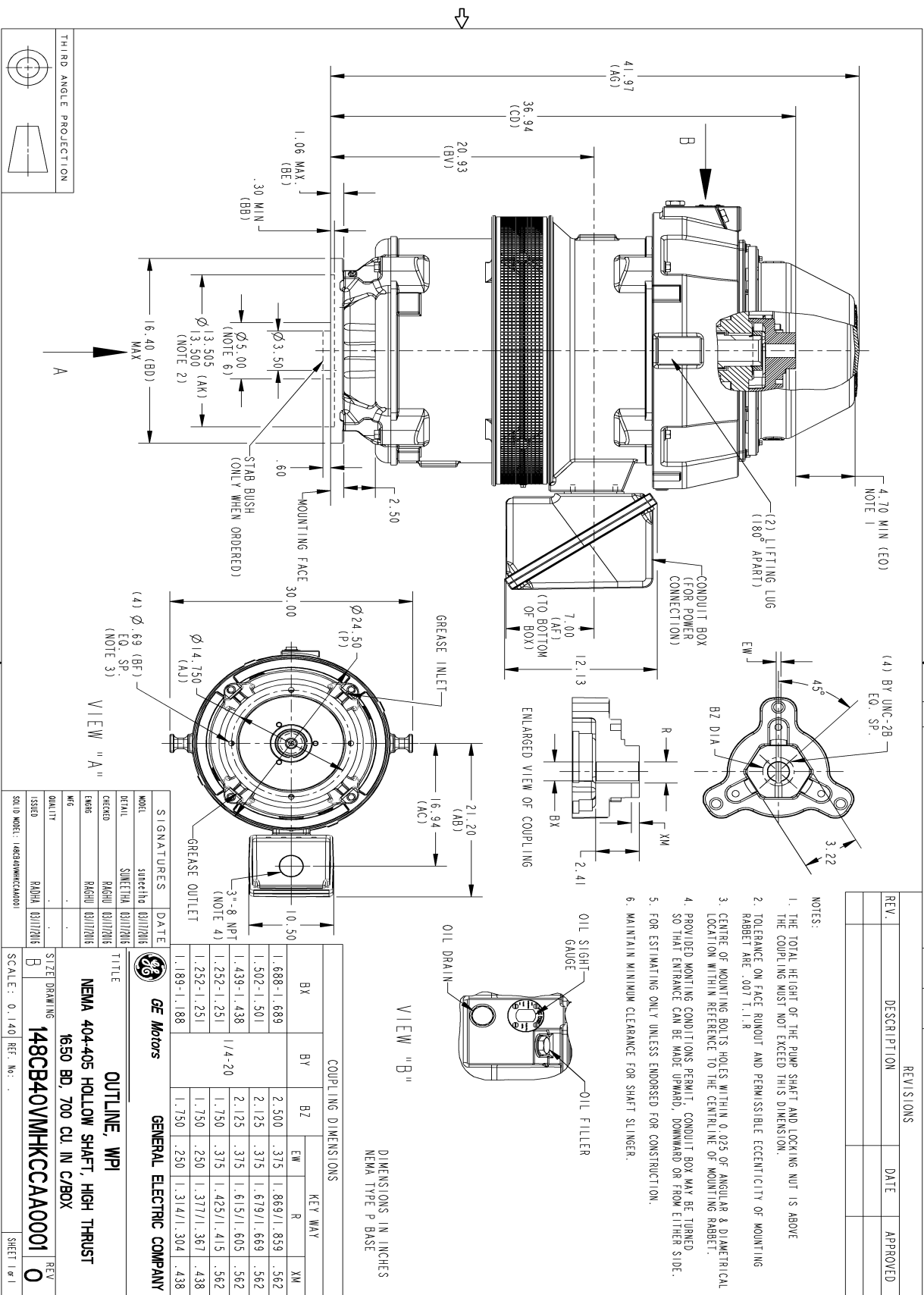
This motor is capable of two cold or one hot start with a maximum connected load inertia of 4777 Lb-Ft Sq (201.11 Kg-meter Sq)at 100% voltage, where the load torque varies with the square of the speed. Acceleration time with maximum inertia and the above load type is 58 seconds. Safe stall time at 100% voltage is 117 seconds cold, 85 seconds hot. Rotor inertia is 25 Lb-Ft Sq (1.05 Kg-meter Sq).

Open Circuit A-C:	0.639	Short Circuit D-C:	0.021
Short Circuit A-C:	0.043	X/R Ratio:	7.769
Stator Slots:	72	Rotor Slots:	58

Speed Torque Current Curve (First Connection, First Speed)



Marks:



REV. DESCRIPTION DATE APPROVED

NOTES:
 1. THE TOTAL HEIGHT OF THE PUMP SHAFT AND LOCKING NUT IS ABOVE THE COUPLING MUST NOT EXCEED THIS DIMENSION.
 2. TOLERANCE ON FACE RUNOUT AND PERMISSIBLE ECCENTRICITY OF MOUNTING RABBET ARE .007 T.I.R.
 3. CENTRE OF MOUNTING BOLTS HOLES WITHIN 0.025 OF ANGULAR & DIAMETRICAL LOCATION WITH REFERENCE TO THE CENTRELINE OF MOUNTING RABBET.
 4. PROVIDED MOUNTING CONDITIONS PERMIT, CONDUIT BOX MAY BE TURNED SO THAT ENTRANCE CAN BE MADE UPWARD, DOWNWARD OR FROM EITHER SIDE.
 5. FOR ESTIMATING ONLY UNLESS ENDORSED FOR CONSTRUCTION.
 6. MAINTAIN MINIMUM CLEARANCE FOR SHAFT SLINGER.

COUPLING DIMENSIONS

BX	BY	KEY WAY		
		BZ	EW	XW
1.688-1.689	2.500	.375	1.869/1.859	.562
1.502-1.501	2.125	.375	1.679/1.669	.562
1.439-1.438	1/4-20	2.125	1.615/1.605	.562
1.252-1.251	1.750	.375	1.425/1.415	.562
1.252-1.251	1.750	.250	1.377/1.367	.438
1.189-1.188	1.750	.250	1.314/1.304	.438

SIGNATURES DATE

MODEL	5KS404DAJ7008A	DATE	
DETAIL	SINCE THE	DATE	
CHANGED	BY	DATE	
ENG	BY	DATE	
CHK	BY	DATE	
ISSUED	BY	DATE	
SOI D MODEL	148CB40VMHKCCA0001	DATE	

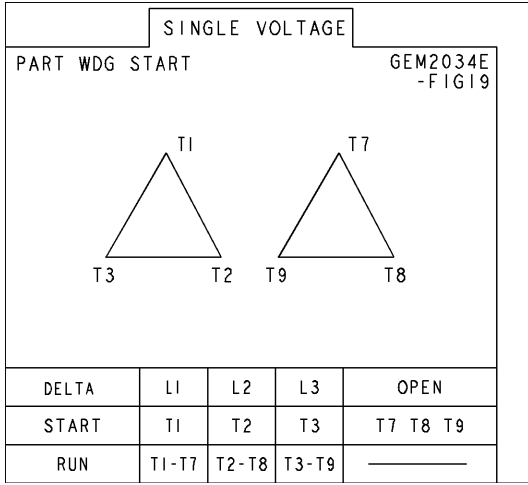
GE Motors
GENERAL ELECTRIC COMPANY

TITLE
OUTLINE, WPI
NEMA 404-405 HOLLOW SHAFT- HIGH THRUST
1650 BD, 700 CU IN C/BOX

SCALE: 0.140 REF. No.:
 SHEET 1 OF 1

Marks:

Connection Diagram
GEM2034E-FIG19



Heater Connection
3027JE-1C



End shield Assembly		
Part Description	DE Side Part#	ODE Side Part#
End Shield	115E7306AC1	115E7310LA1
Bearing	235A2513AL01	235A2532AA01
Slinger/Inproseal	235A2300HW1	

Fan & Fan Cover Assembly	
Part Description	Part#
Fan	
Fan Cover	149C4055AA1

Conduit & Accessories Box Assembly	
Part Description	Part#
Conduit Box	118D4408AD2

Mechanical Accessories	
Part Description	Part#
Brake	
Tachometer	