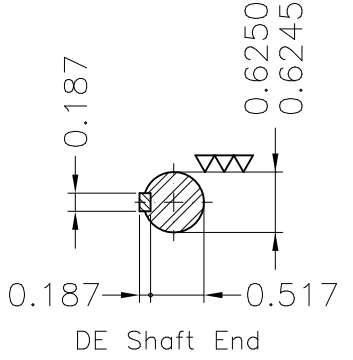
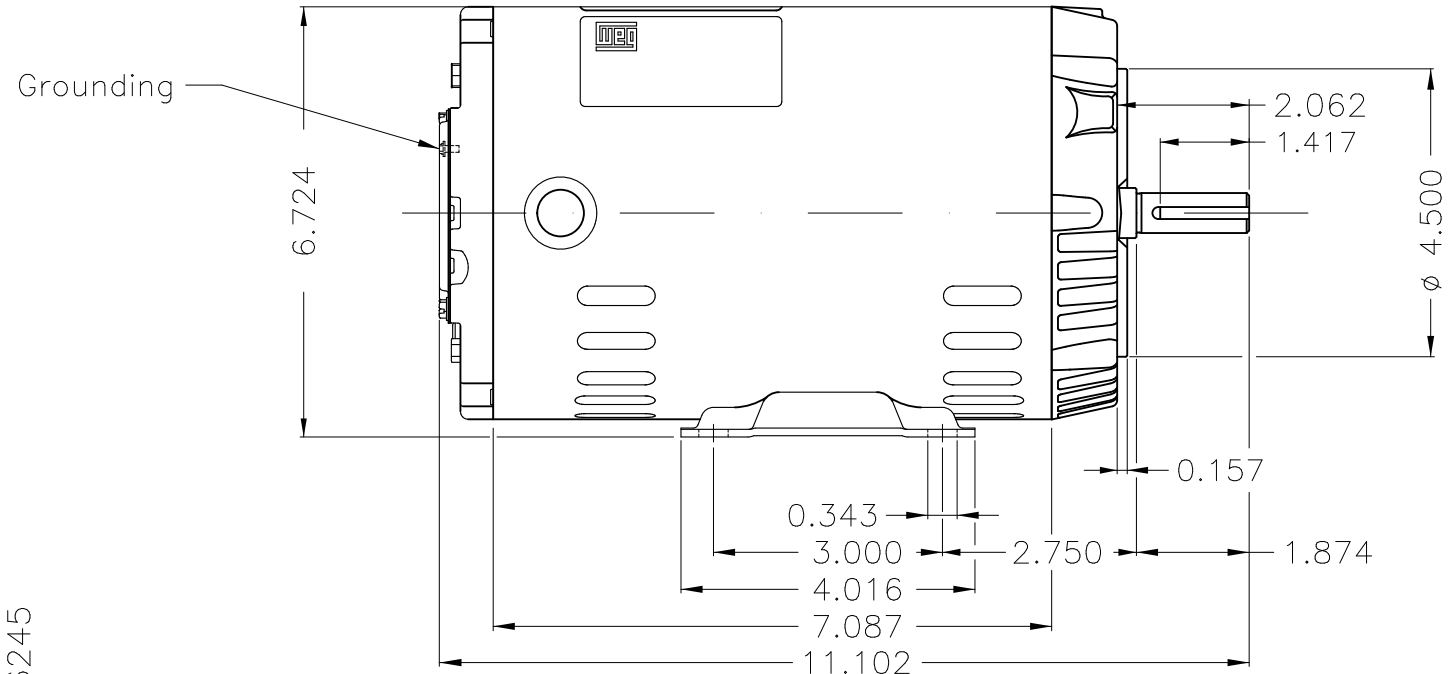
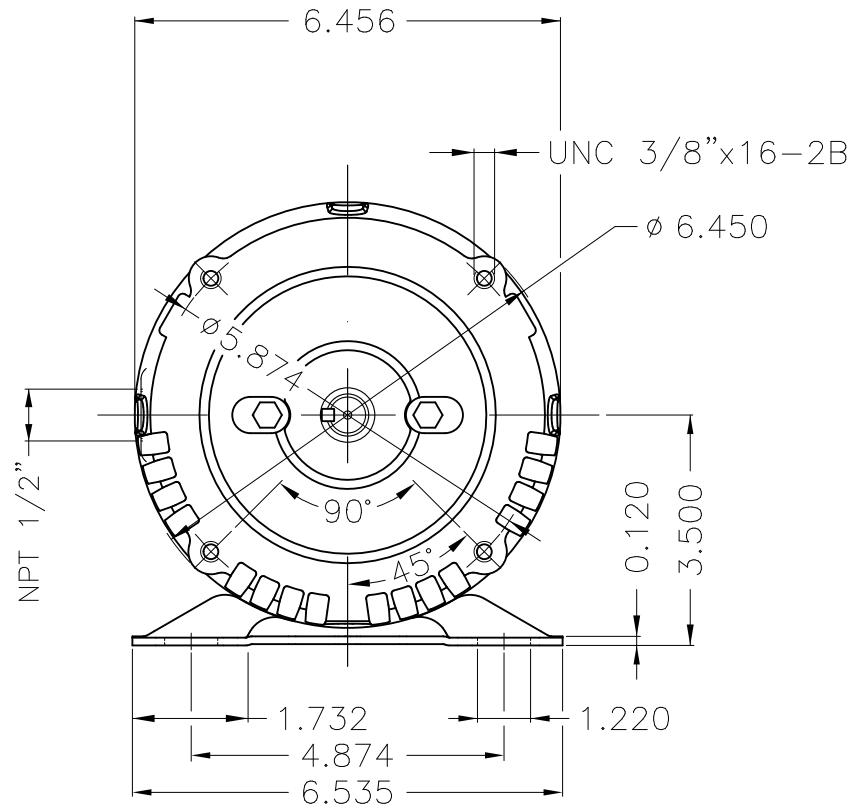


Dimensões em polegada  
Dimensions in inches

THIS IS AN UPDATED REVISION, THE  
PREVIOUS ONE MUST BE DISREGARDED.



Without coating						
Mounting F-1/B34R(D)						
ECM	LOC	SUMMARY OF MODIFICATIONS		EXECUTED	CHECKED	RELEASED
EXECUTED	USERADMIN	THREE PHASE ODP ROLLED STEEL PREM. EFF.				
CHECKED		FRAME 56C ODP				
RELEASED		WEG code: 12809254				
REL DT	24.07.2017	WMO	Jaragua do Sul	Product Engineering	SHEET	1 / 1

0.75 HP    04 Poles    60Hz

A

