

Product Information Packet

March 4, 2017

Data shown is for the current revision model #. Ensure your nameplate model # matches.

Model Number:	5KS215XAE5721C
Catalog Number:	V771
Instruction Manual:	GEK-95351
Connection Diagram:	GEM2034E-FIG1
Outline Drawing:	4002B5821PPP5341

Accessory Connection Diagrams

Bearing Thermocouple:	None	Heater:	None
RTD:	None	Thermistor:	None
Thermostat:	None	Winding Thermocouple:	None
Bearing RTD:	None		

Table of Contents

Specification	01
Performance Characteristics	02
Outline Drawing	03
Connection Drawing(s)	04
Spare parts	05



Marks:

MODEL NUMBER:	5KS215XAE5721C	Estimated Weight:	220 Lbs
Outline Drawing:	4002B5821PPP5341	Time Rating:	CONT
Connection Diagram:	GEM2034E-FIG1	Enclosure:	TEFC
Instruction Book:	GEK-95351	Encl Construction:	841
Design Code:	21BD0121A	Ambient Max(°C):	40
Type:	KS	Alt Ambient Max(°C):	--
Frame:	L215LP10	Insulation Class:	H
Phases:	3	NEMA Design:	B
Poles:	2	Nominal Efficiency:	90.2 %
Output Power:	10HP 7.4KW	Guaranteed Efficiency:	88.5
RPM:	3520	3/4 Load Efficiency:	91.0
Voltage:	460	KVA Code:	H
Hertz:	60	Max KVAR:	2.2
Amps - FL:	11.5	Power Factor:	90.0
Service Factor:	1.15	Bearing - DE:	5210
Alt Service Factor:	--	Bearing - ODE:	6208-2ZC3

Enclosure is Totally Enclosed Fan-Cooled

Stamped Nameplate Notes:

VERTICAL-841
 PREMIUM EFFICIENT MOTOR
 DE BRG 5210 ODE BRG 40BC02JP3
 INLINE MOTOR
 EXCEPTION TO IEEE-STD-841-2009:THRUST BRG ON DE
 INVERTER DUTY PER NEMA MG1 PART 31
 ALTERNATE RATING FOR PWM CONTROL:
 1.0 SF VAR TORQUE RANGE 0-60 HZ
 MAX EXPOSED INTERNAL AND EXTERNAL SURFACE
 TEMPERATURES UNDER USUAL SERVICE CONDITIONS
 AT 1.00 S.F. DO NOT EXCEED 200 DEG C
 STAMP NP249A5499AP AS BELOW:
 MODEL:5KS215XAE5721C S/N: XXX
 EX NA IIC T3 GC CSA.09.2216219
 CLASS I, ZONE 2, AEX NA IIC T3
 CLASS I, DIV 2, GROUPS A, B, C, D T3
 -25C <= TAMB <= 40C

Additional Information:

2P - LP EXTN
 C/BOX 55 CU IN-1.00 NPT
 PAINTED FRAME ID & SHAFT,
 FAN COVER INSIDE & ODE E/S OUTSIDE
 ROUTINE AND 5 POINT VIBRATION TESTS INCL IN C/BOX
 INPRO SEAL BOTH ENDS
 E/SHLD GROUND STUD MTD ON DE C/BOX SIDE
 SHAFT RUNOUT LIMIT .001" TIR



RCF 5000 CPM, STATIC DEFLECTION .0014 INCHES &
CENTER OF GRAVITY 8.59 INCHES
SOLID SHAFT INLINE
COPPER WASHER UNDER HEADS OF BEARING CAP BOLTS
APPLY TITE-SEAL (A50CD427A) ON BEARING CAP SCREWS, RABBETS,
AND PLUG THREADS
OIL RESISTANT SLEEVING ON LEADS
BEARING LIFE 26280 HOURS AT 586 LB THRUST
IEEE 841 NEMSCO 03/03/2017
ENGINEERED BY: BALASUBRAMANIANH

Performance Characteristics

1st Winding 1st Connection

Design: 21BD0121A

Marks:

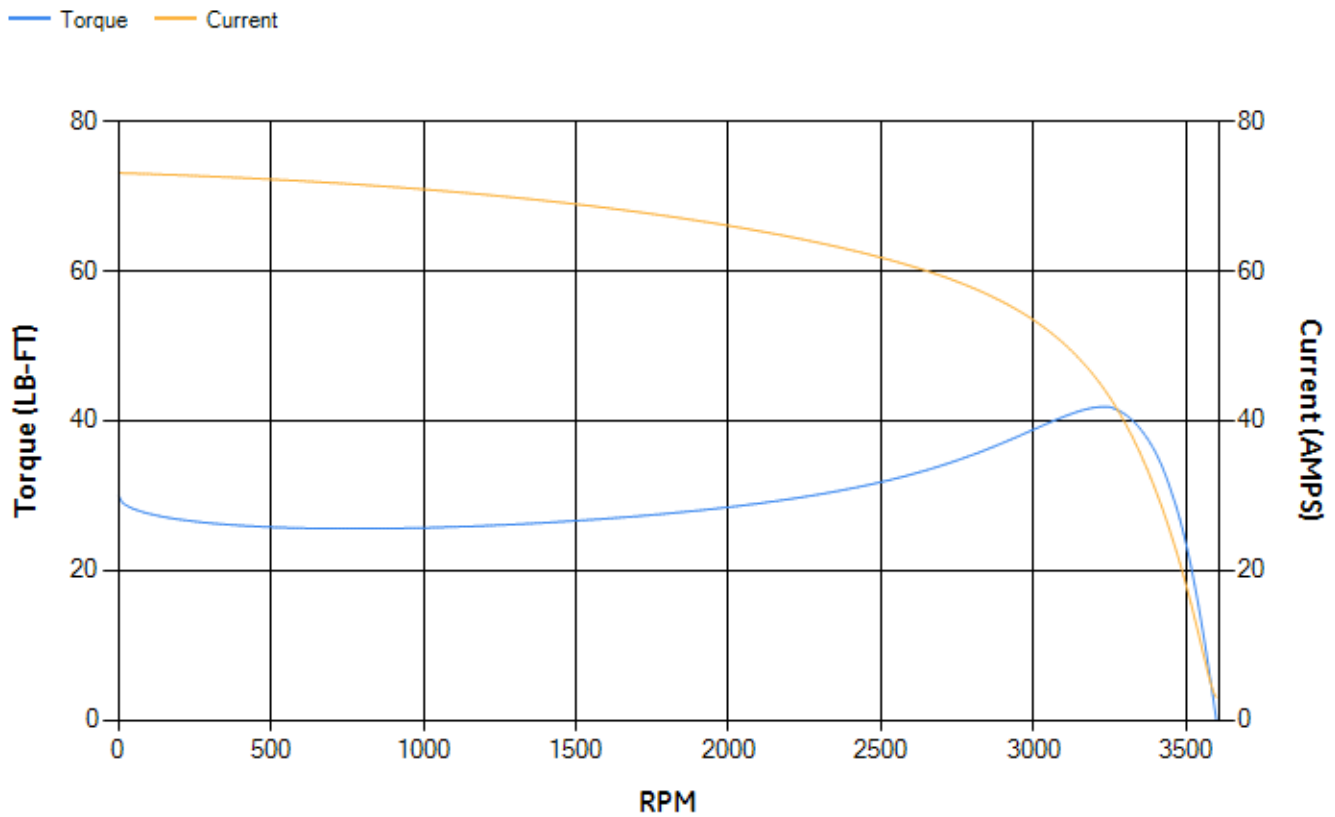
LOAD %	125.0	115.0	100.0	75.0	50.0	25.0	0.0
% EFF	88.61	89.27	90.32	91.04	90.92	87.4	0.00
% PF	90.02	90.09	89.84	88.02	82.4	64.49	9.22
AMPS	14.67	13.38	11.52	8.76	6.25	4.15	3.01

TORQ(FL)#FT	14.91	TORQ(LR)%FL	201.12	TORQ(BD)%FL	278.54
AMPS(LR)	73.1	PF AT START	0.36		

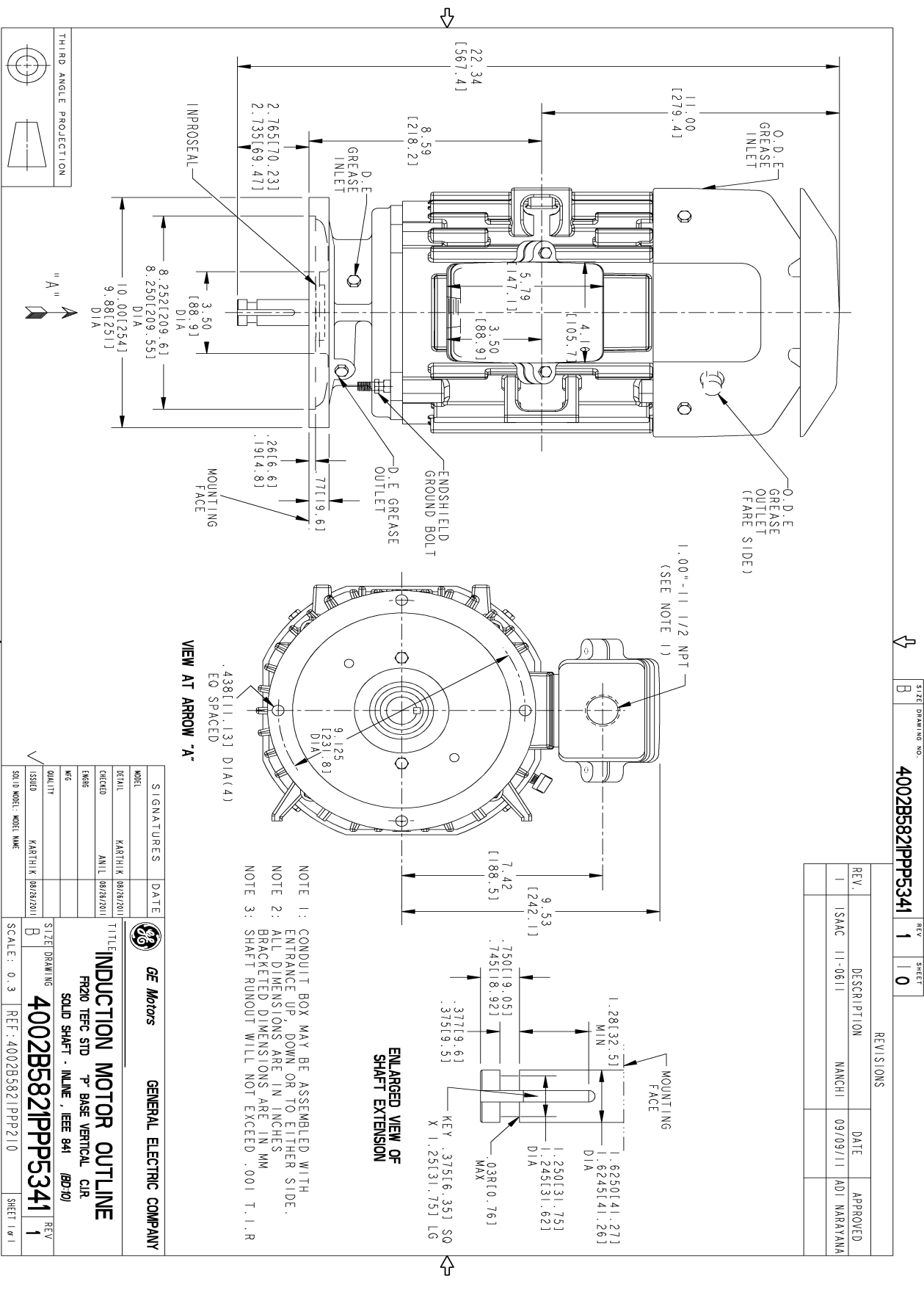
This motor is capable of two cold or one hot start with a maximum connected load inertia of 75 Lb-Ft Sq (3.16 Kg-meter Sq)at 100% voltage, where the load torque varies with the square of the speed. Acceleration time with maximum inertia and the above load type is 35 seconds. Safe stall time at 100% voltage is 67 seconds cold, 42 seconds hot. Rotor inertia is 0.39 Lb-Ft Sq (0.02 Kg-meter Sq).

Open Circuit A-C:	0.47	Short Circuit D-C:	0.01
Short Circuit A-C:	0.017	X/R Ratio:	3.896
Stator Slots:	36	Rotor Slots:	26

Speed Torque Current Curve (First Connection, First Speed)



Marks:



SIZE DRAWING NO. **4002B5821PPP5341** REV 1 0

REV.	DESCRIPTION	DATE	APPROVED
1	ISAAC 11-0611	09/09/11	ADI NARAYANA

REVISIONS

SIGNATURES	DATE
DETAIL: KARTHIK [08/26/2011]	
CHECKED: ANIL [08/26/2011]	
ENGR: []	
ISSUED: KARTHIK [08/26/2011]	

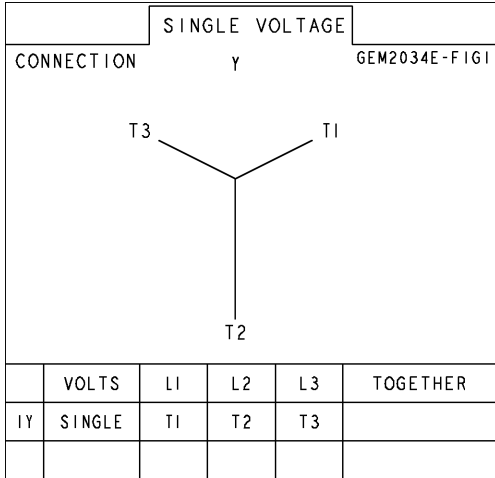
GE Motors GENERAL ELECTRIC COMPANY

INDUCTION MOTOR OUTLINE
 FR20 TFC STD "P" BASE VERTICAL CLR.
 SOLID SHAFT - INLINE, IEE 94 (BP10)

SIZE DRAWING: **4002B5821PPP5341** REV 1
 SCALE: 0.3 REF: 4002B5821PPP210 SHEET 1 OF 1

Marks:

Connection Diagram
GEM2034E-FIG1



End shield Assembly		
Part Description	DE Side Part#	ODE Side Part#
End Shield	128D6027PP1	4004D5282SL1
Bearing	235A2508EK01	235A2503AA01
Slinger/Inproseal	4002B5918CD4	4002B5914AG3

Fan & Fan Cover Assembly	
Part Description	Part#
Fan	159C6704G01
Fan Cover	4003C5521BN-G01

Conduit & Accessories Box Assembly	
Part Description	Part#
Conduit Box	4002B5721PA-G01

Mechanical Accessories	
Part Description	Part#
Brake	
Tachometer	