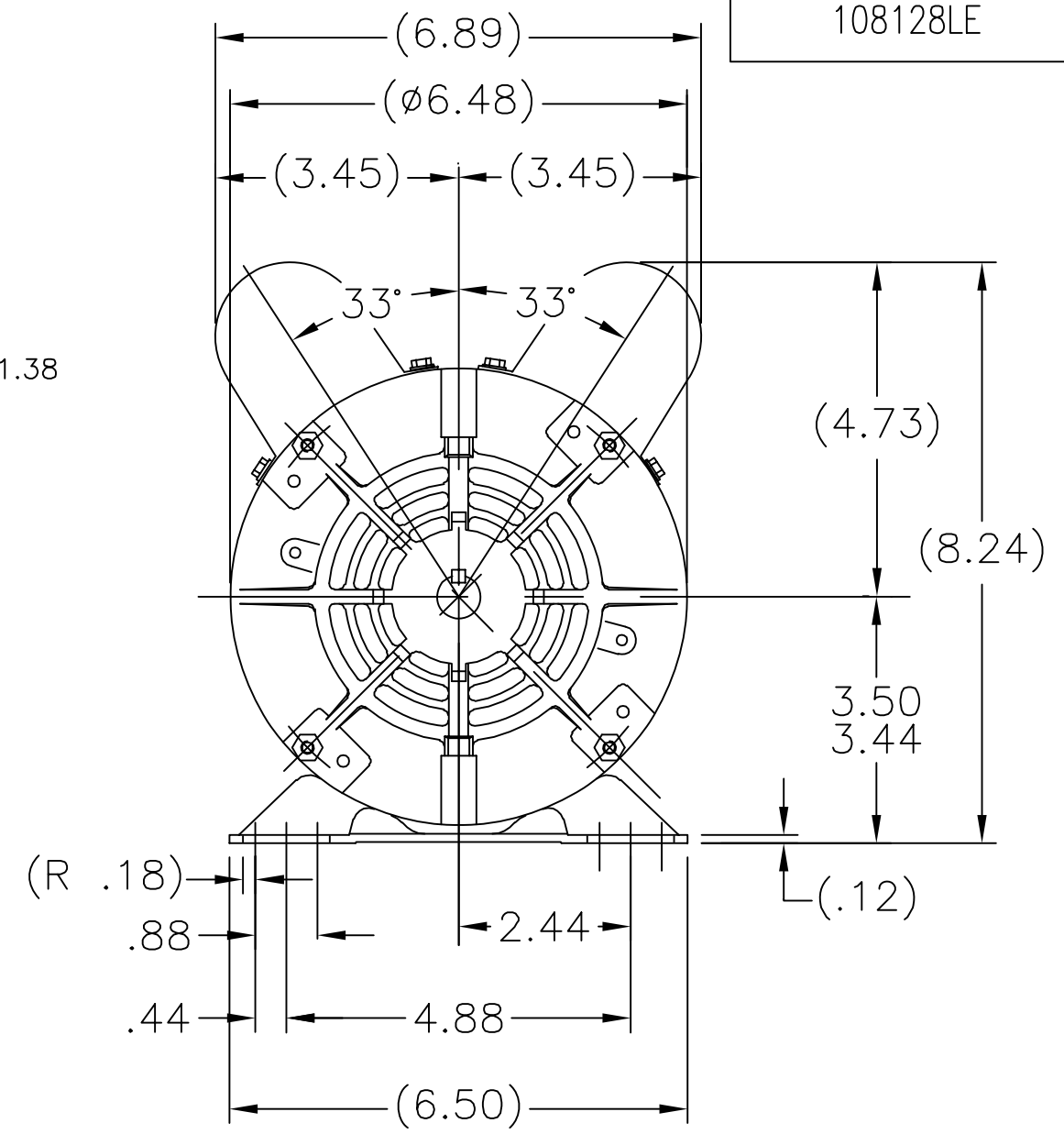
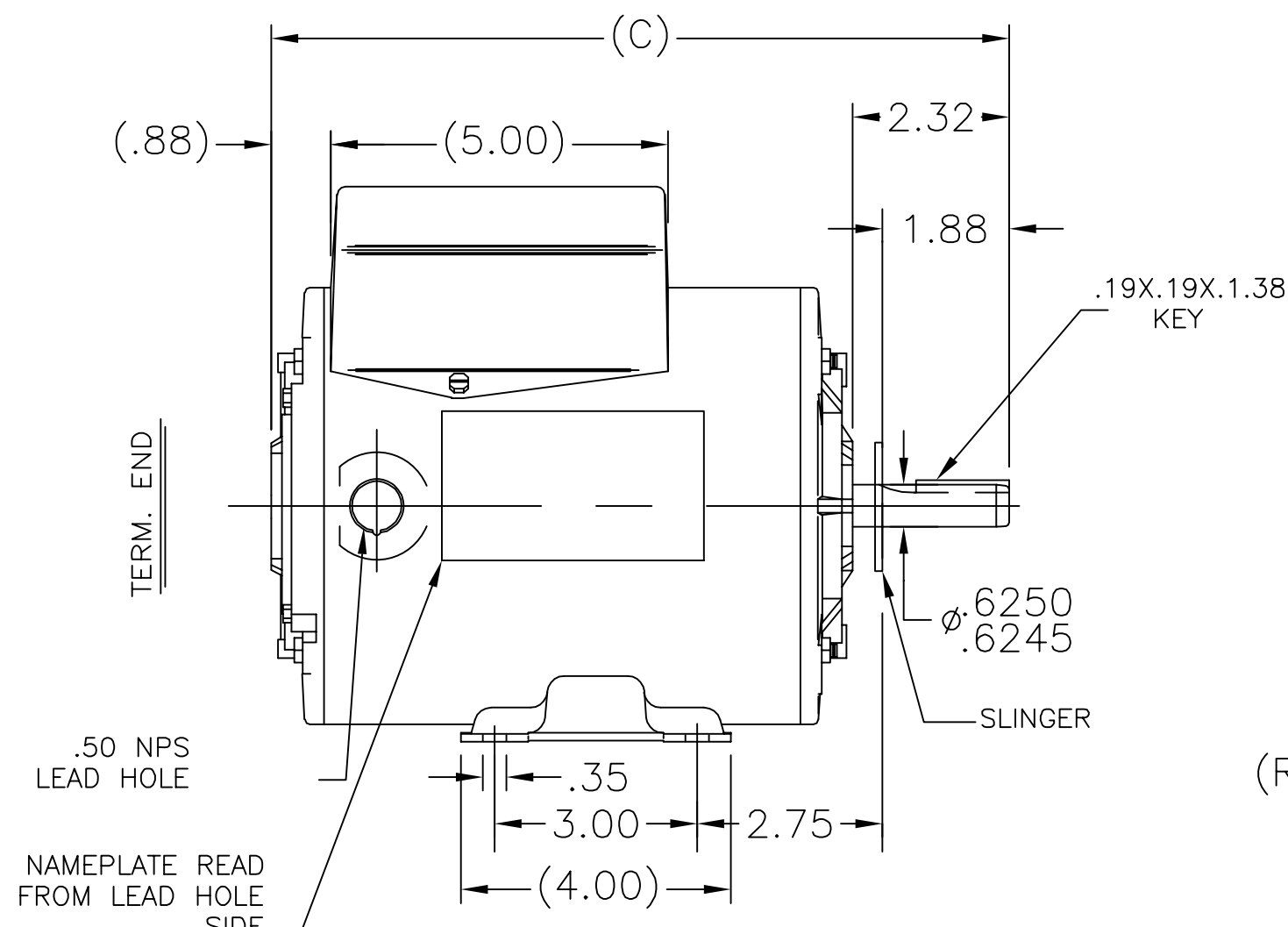



108128LE



DASH	C	DASH	C
606	9.94	806	11.94
656	10.44		
706	10.94		
756	11.44		

NO.		REVISION	BY & DATE	CHK	ANG	FINISH	TOLERANCES UNLESS SPECIFIED		 ELECTRIC MOTORS GEARMOTORS AND DRIVES  TITLE OUTLINE 56 FR. - TENV - BB  MAT'L.  RFP CAD FILE 108128LE DIST WP-LE	SIZE	DRAWING NO.	PAGE	OF	REV.	
							DEC.	INCHES		DRAWN	PST	11/12/2013			
							.X	±.1		CHK	SM	11/12/2013			
							.XX	±.03		APPD					
							.XXX	±.005		SCALE		1:1			
							.XXXX	±.0005	REF		105284				
									FMF		A009581.00				
									PREV						
										A	108128LE				

THIS DRAWING IN DESIGN AND DETAIL IS OUR PROPERTY AND MUST NOT BE USED EXCEPT IN CONNECTION WITH OUR WORK ALL RIGHTS OF DESIGN AND INVENTION ARE RESERVED THIS IS AN ELECTRONICALLY GENERATED DOCUMENT - DO NOT SCALE THIS PRINT