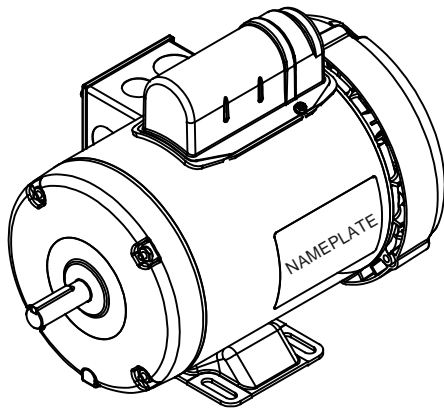
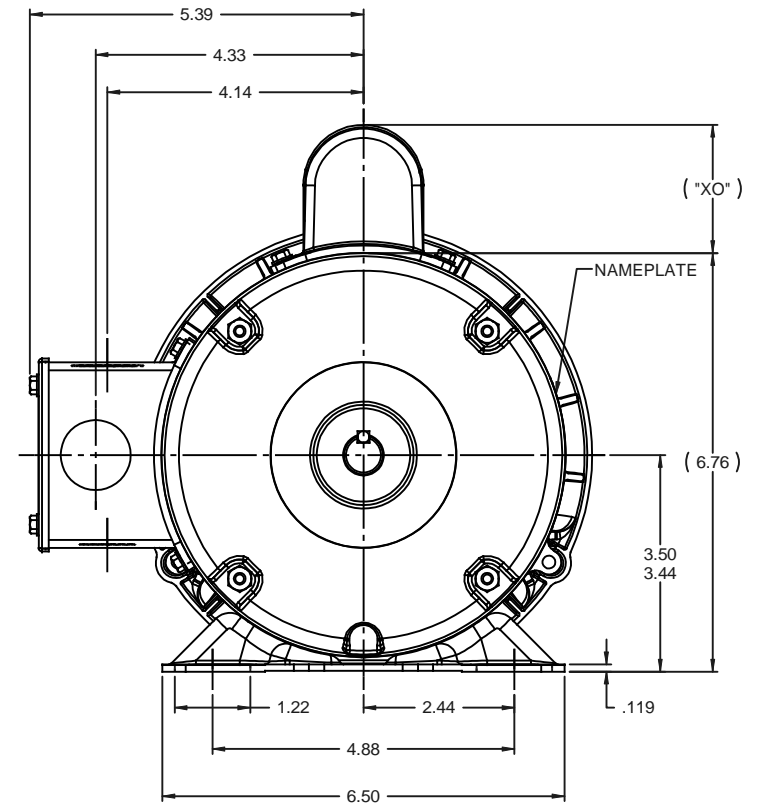
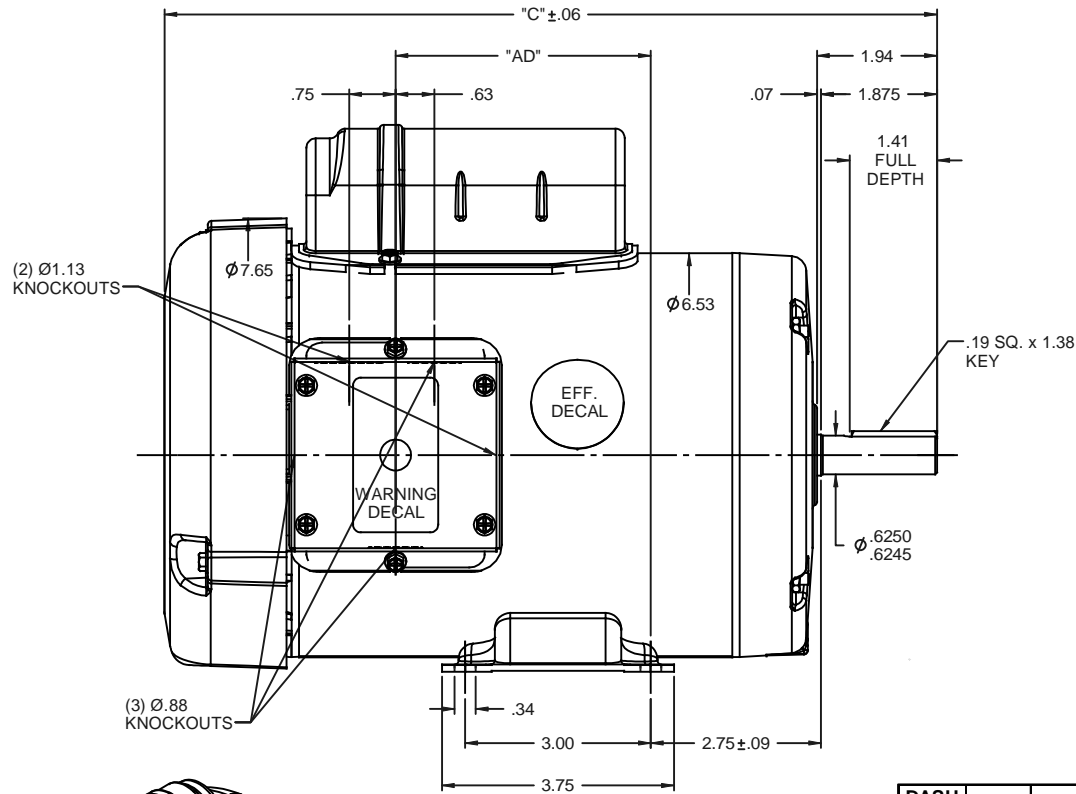


RBC PROPRIETARY AND CONFIDENTIAL INFORMATION
 This document is the property of REGAL BELOIT CORPORATION ("RBC") including its subsidiaries and divisions and contains proprietary information of RBC. This document is loaned on the express condition that neither it nor the information contained therein shall be disclosed to others without the express written consent of RBC, and that the information shall be used by the recipient only as approved expressly by RBC. This document shall be returned to RBC upon its request. This document may be subject to certain restrictions under U.S. export control laws and regulations.



DASH NO.	"C"	"AD"	CAP DASH	"XO"
500	10.48	2.13		
550	10.98	2.63		
600	11.48	3.13	A	1.61
650	11.98	3.63	B	2.08
700	12.48	4.13	C	2.32
750	12.98	4.63		

NOTES:
 1) GASKETS THROUGHOUT

REVISION		BY & DATE	CHK	ANG	FINISH	GENERAL PURPOSE	SCALE	PAGE	OF	REV
01	ADDED ISOMETRIC VIEW AS PER ISAAC #08-4017	GRB/ 9/5/2008	DJ	XXX	±.0005	MATL		1	1	01
REVISION		BY & DATE	CHK	ANG	±1/2"	FINISH	GENERAL PURPOSE	PAGE	1	OF 1
THIRD ANGLE PROJECTION			RFP			PREV		SIZE	DRAWING NO	REV
						NETWORK FILE NAME		B	028797	01



**ELECTRIC MOTORS
 GEARMOTORS
 AND DRIVES**

DRAWN: KMM 09/18/07

CHK

APPR

TITLE: OUTLINE - 56 FRAME

TEFC - RIGID

MATL

FINISH: GENERAL PURPOSE

SCALE: 1:2

REF: 028612

FMF: 110094.00