

# Product Information Packet

November 7, 2016

Data shown is for the current revision model #. Ensure your nameplate model # matches.

<b>Model Number:</b>	<b>5KS256ATE305A</b>
<b>Catalog Number:</b>	<b>E7014</b>
<b>Instruction Manual:</b>	GEI-M1023
<b>Connection Diagram:</b>	GEM2034E-FIG10
<b>Outline Drawing:</b>	358B6216AB

Accessory Connection Diagrams			
<b>Bearing Thermocouple:</b>	None	<b>Heater:</b>	None
<b>RTD:</b>	None	<b>Thermistor:</b>	None
<b>Thermostat:</b>	None	<b>Winding Thermocouple:</b>	None
<b>Bearing RTD:</b>	None		

Table of Contents	
Specification	01
Performance Characteristics	02
Outline Drawing	03
Connection Drawing(s)	04

**Marks:**

<b>MODEL NUMBER:</b>	<b>5KS256ATE305A</b>	<b>Estimated Weight:</b>	300 Lbs
<b>Outline Drawing:</b>	358B6216AB	<b>Time Rating:</b>	CONT
<b>Connection Diagram:</b>	GEM2034E-FIG10	<b>Enclosure:</b>	DP
<b>Instruction Book:</b>	GEI-M1023	<b>Encl Construction:</b>	OPEN
<b>Design Code:</b>	25AD3006A	<b>Ambient Max(°C):</b>	40
<b>Type:</b>	KS	<b>Alt Ambient Max(°C):</b>	--
<b>Frame:</b>	256T	<b>Insulation Class:</b>	F
<b>Phases:</b>	3	<b>NEMA Design:</b>	A
<b>Poles:</b>	6	<b>Nominal Efficiency:</b>	91.7 %
<b>Output Power:</b>	10HP 7.4KW	<b>Guaranteed Efficiency:</b>	90.2
<b>RPM:</b>	1180	<b>3/4 Load Efficiency:</b>	92.7
<b>Voltage:</b>	230/460	<b>KVA Code:</b>	K
<b>Hertz:</b>	60	<b>Max KVAR:</b>	5
<b>Amps - FL:</b>	27.4/13.7	<b>Power Factor:</b>	74.5
<b>Service Factor:</b>	1.15	<b>Bearing - DE:</b>	6310ZZ
<b>Alt Service Factor:</b>	--	<b>Bearing - ODE:</b>	6208ZZ

Enclosure is Dripproof

---

**Stamped Nameplate Notes:****Additional Information:**

6 POLE DP  
 LRA: 205/102.5  
 NO. OF MOTOR LEADS: 12  
 CONDUIT BOX VOLUME (IN<sup>3</sup>): 110.9  
 CONDUIT BOX MTL: STAMPED STEEL  
 GREASE TYPE: SHELL ALVANIA R3 LITHIUM GREASE  
 USABLE AT 200V @ 10HP, 29 AMPS @ 1.0 SF  
 50 HZ DATA: 10HP, 200/400V, 30.8/15.4 AMPS @ 1.0SF, 975 RPM  
 DMK, 06/04, DATA UPDATE 11/2004  
 INVERTER DUTY PER NEMA MG1 PART 31  
 FOR VARIABLE TORQUE LOADS

**Performance Characteristics**

1st Winding 1st Connection

**Design: 25AD3006A**

**Marks:**

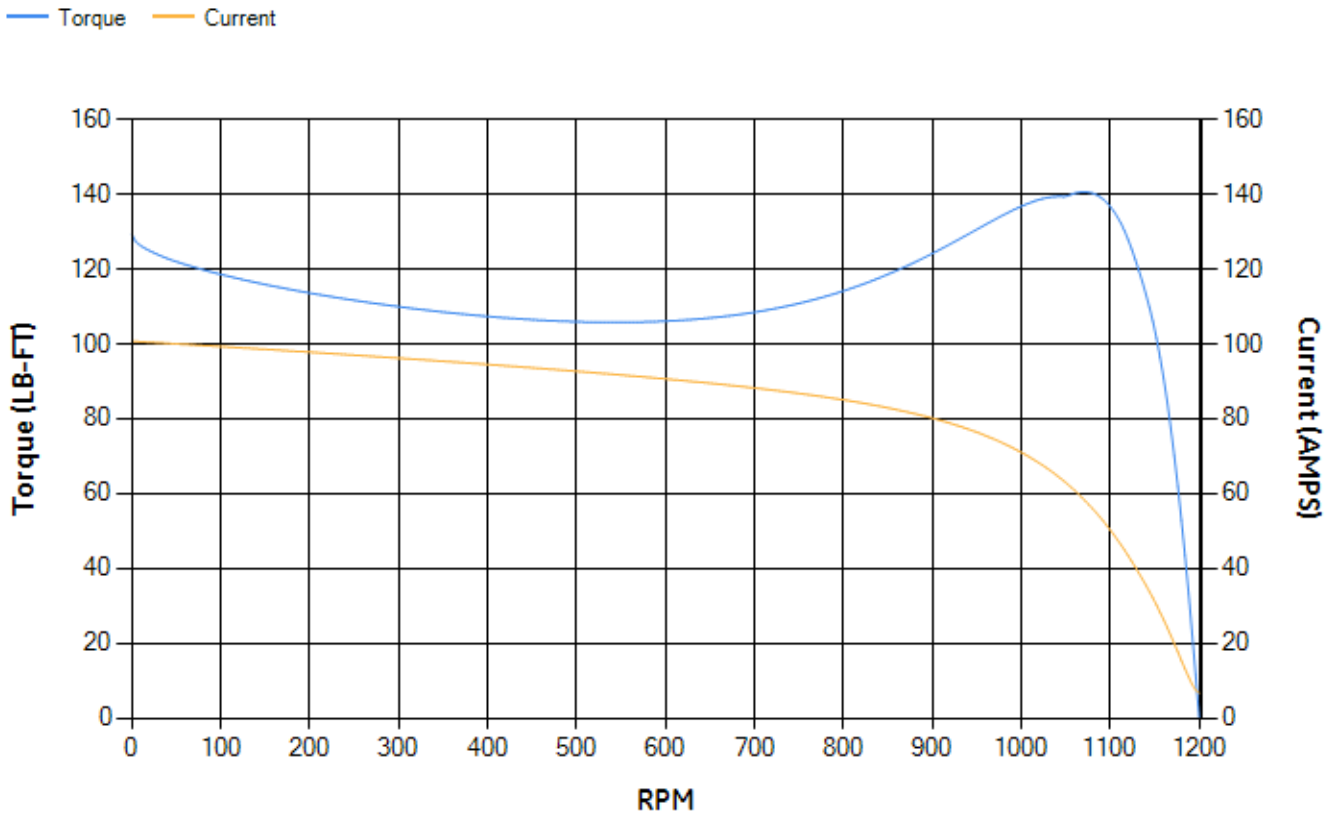
LOAD %	125.0	115.0	100.0	75.0	50.0	25.0	0.0
% EFF	92.26	92.47	92.9	92.66	91.6	86.91	0.00
% PF	79.71	78.51	76.06	69.4	57.36	36.29	4.72
AMPS	15.91	14.82	13.25	10.92	8.91	7.42	6.68

<b>TORQ(FL)#FT</b>	44.42	<b>TORQ(LR)%FL</b>	291.27	<b>TORQ(BD)%FL</b>	311.89
<b>AMPS(LR)</b>	100.69	<b>PF AT START</b>	0.4		

This motor is capable of two cold or one hot start with a maximum connected load inertia of 1292 Lb-Ft Sq (54.39 Kg-meter Sq)at 100% voltage, where the load torque varies with the square of the speed. Acceleration time with maximum inertia and the above load type is 50 seconds. Safe stall time at 100% voltage is 119 seconds cold, 98 seconds hot. Rotor inertia is 2.52 Lb-Ft Sq (0.11 Kg-meter Sq).

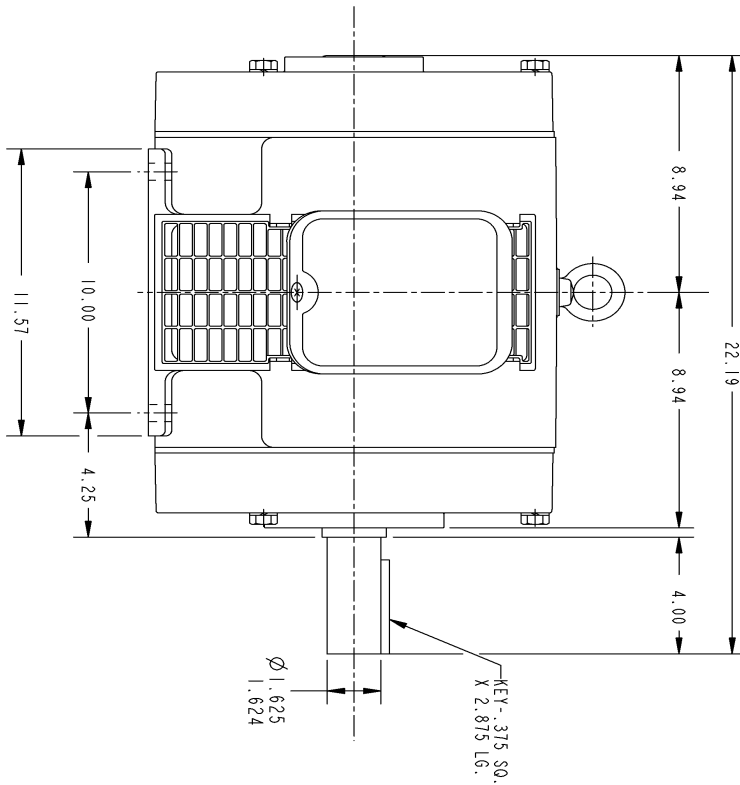
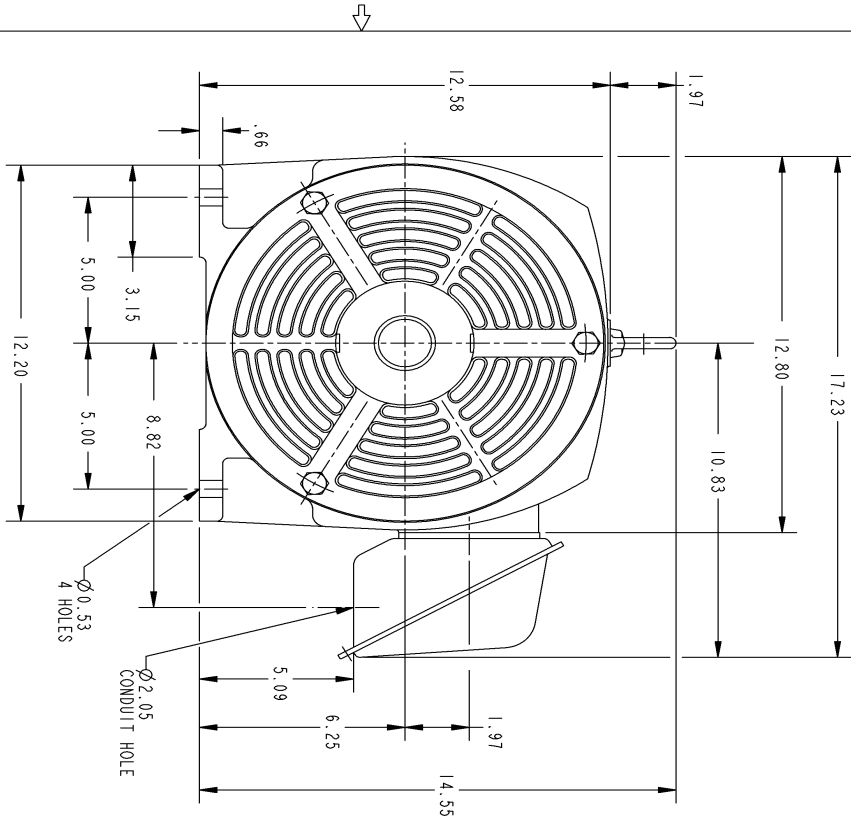
<b>Open Circuit A-C:</b>	0.314	<b>Short Circuit D-C:</b>	0.015
<b>Short Circuit A-C:</b>	0.018	<b>X/R Ratio:</b>	5.731
<b>Stator Slots:</b>	72	<b>Rotor Slots:</b>	60

**Speed Torque Current Curve (First Connection, First Speed)**



NAME:501452442 OBJECT:358B6216AB DATE:23-May-07 23:53:38

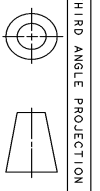
Marks:



SIZE DRAWING FOR  
**358B6216AB**  
 GE PROPRIETARY INNOVATION

REV.	DESCRIPTION	DATE	APPROVED
1	ISAAC 07-0770	05/02/07	R. KOHNE

- NOTES :
1. CONDUIT BOX MAY BE PLACED WITH THE ENTRANCE DOWN, UP OR ON EITHER SIDE.
  2. F-1 ASM AS SHOWN.
  3. F-2 ASM - HAS CONDUIT BOX ON OPPOSITE SIDE.



UNLESS OTHERWISE SPECIFIED:		SIGNATURES		DATE	
DIMENSIONS ARE IN INCHES		P. RAJU		03/27/03	
TOLERANCE ON:		CHECKED		03/27/03	
2 PL DECIMALS ±		ENGR			
3 PL DECIMALS ±		ISSUED		03/27/03	
ANGLES ± 1°		APPLIED PRACTICES			
MATERIAL:		SIZE DRAWING		REV.	
		<b>358B6216AB</b>		<b>1</b>	
		SCALE: DRAWING SCALE		SHEET 1 OF 1	

**GE Industrial Systems**  
 GENERAL ELECTRIC COMPANY  
 Fort Wayne, Indiana

**OUTLINE**  
 256T - OPEN DRIP PROOF

DISTRIBUTION:

Marks:

**Connection Diagram**  
**GEM2034E-FIG10**

