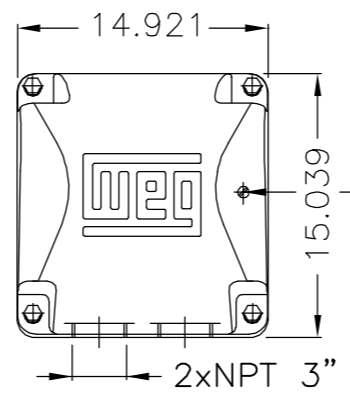


EIXO/SHAFT	
PADRÃO/STANDARD	X
OPCIONAL/OPTIONAL	
ESPECIAL/SPECIAL	

Dimensões em polegada  
Dimensions in inches

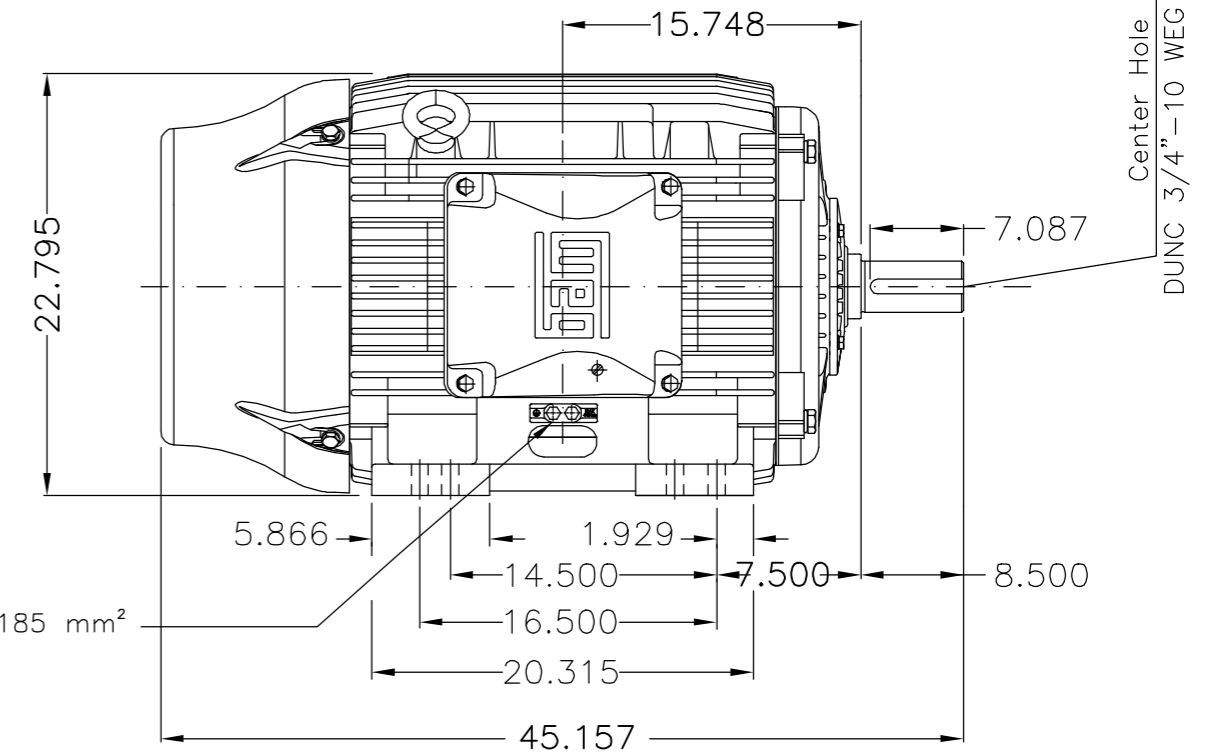
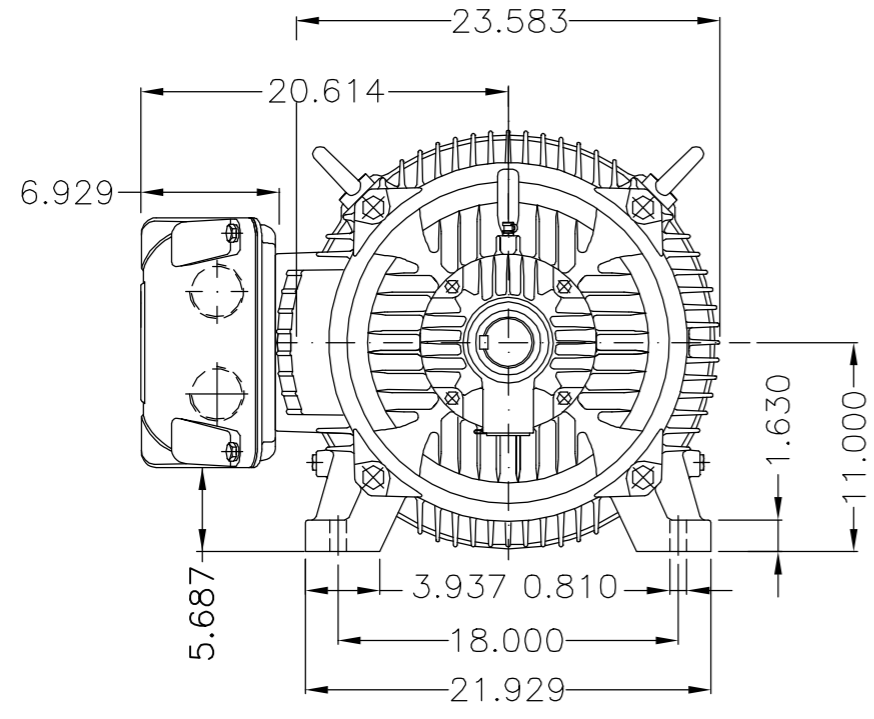
**CERTIFIED WEG MOTORES**  
Certified document.  
Not subject to changes.

THIS IS AN UPDATED REVISION, THE PREVIOUS ONE MUST BE DISREGARDED.



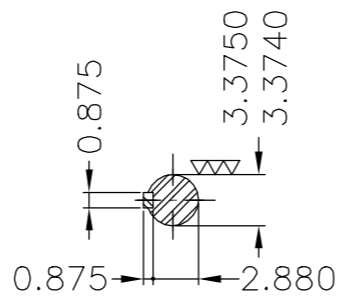
Main terminal box

Grounding for leads 35-70 mm<sup>2</sup>



Grounding for leads 25-185 mm<sup>2</sup>

Center Hole  
DUNC 3/4"-10 WEG TBG12



DE Shaft End

Caixa de ligação da carcaça 504/5T / Terminal box from frame 504/5T						
Base intermediaria / Intermediate base						
Placa de bornes com 12 pinos / Terminal block with 12 terminals						
Categoria A / Design A						
Saída dos cabos voltada para a traseira / Cables outlet directed to NDE						
Dispositivo de travamento de eixo / Shaft locking device						
Rolamento dianteiro de rolos / DE roller bearing						
Cor RAL 5009 / Color RAL 5009						
Plano de pintura 203A / Painting plan 203A						
Forma construtiva NEMA F-1 / Mounting NEMA F-1						
Forma construtiva B3D / Mounting B3R(D)						

**WEG ELECTRIC CORPORATION - WEC**

500001133616	DOCUMENTO NOVO	DVEGINI	ADRIANAP	27.01.2016	00		
ECM	LOC	SUMMARY OF MODIFICATIONS	EXECUTED	CHECKED	RELEASED	DATE	VER
EXECUTED	DVEGINI	THREE PHASE W22 MOTOR - NEMA PREMIUM EFF FRAME 444/5T IP55	10004044774				
CHECKED			000	00			
RELEASED	ADRIANAP						
REL DT	27.01.2016	WMO	Jaraguá do Sul	Product Engineering	SHEET	1 / 1	

75 HP 08 Poles 60Hz 414154626/0 MEC