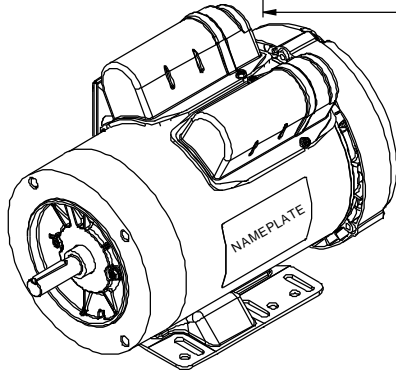
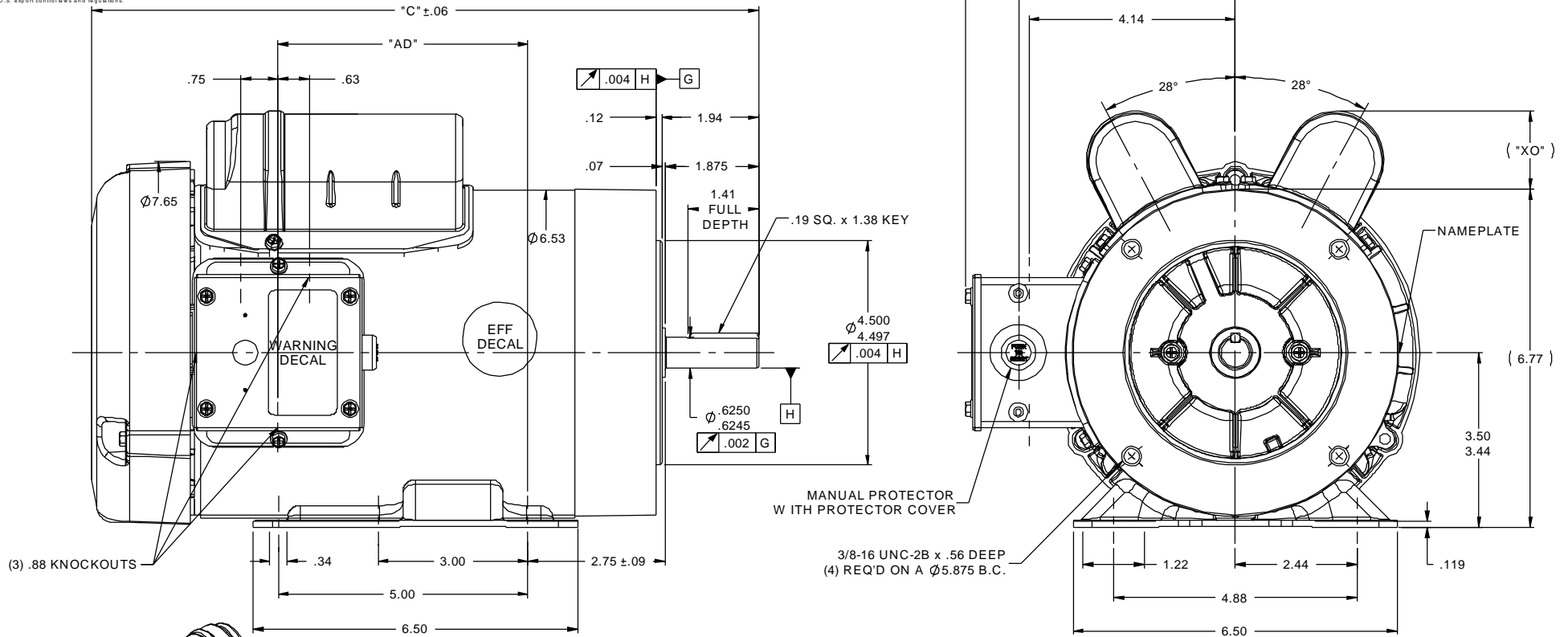


RSC PROPRIETARY AND CONFIDENTIAL INFORMATION
 This document is the property of REGAL SELOIT CORPORATION ("RSC") including its subsidiaries and divisions and contains proprietary information of RSC. This document is loaned on the express condition that neither it nor the information contained therein shall be disclosed to others without the express written consent of RSC, and that the information shall be used by the recipient only as approved expressly by RSC. This document shall be returned to RSC upon its request. This document may be subject to certain restrictions under U.S. export controls and regulations.



DASH NO.	"C"	"AD"	CAP.	"XO"
700	12.87	4.50	DASH	"XO"
750	13.37	5.00	A	1.06
800	13.87	5.50	B	1.51
850	14.37	6.00	C	1.73

NOTES:
 1) GASKETS THROUGHOUT.

TOLERANCES UNLESS SPECIFIED				LEESON ELECTRIC MOTORS GEARMOTORS AND DRIVES		DRAWN GRB 09/27/08	
DEC	INCHES	FINISH	REV	CHK	DJ 09/27/08	APPR	DJ 09/27/08
X	±.1	TITLE	OUTLINE - 56 FRAME	SCALE	1:2	REF	OL116703
XX	±.03	TEFC - RIGID		FMF	116703.00	PAGE	1 OF 1
GWS _{xxx}	±.005	MAT'L	GENERAL PURPOSE	REV		DRAWING NO	028907
GWS _{xxxx}	±.0005	FINISH		REV		REV	02
NO	REVISION	BY & DATE	CHK LANG ±1/2°	NETWORK FILE NAME	028907	SIZE	B
02	ADDED MISSING NOTE FOR .88 KNOCKOUTS	SAD 5/17/2013		RFP	09/27/08		
01	ROTATED SHAFT END ENDBELL PER ISAAC 11-1677	SAD 4/11/2011					