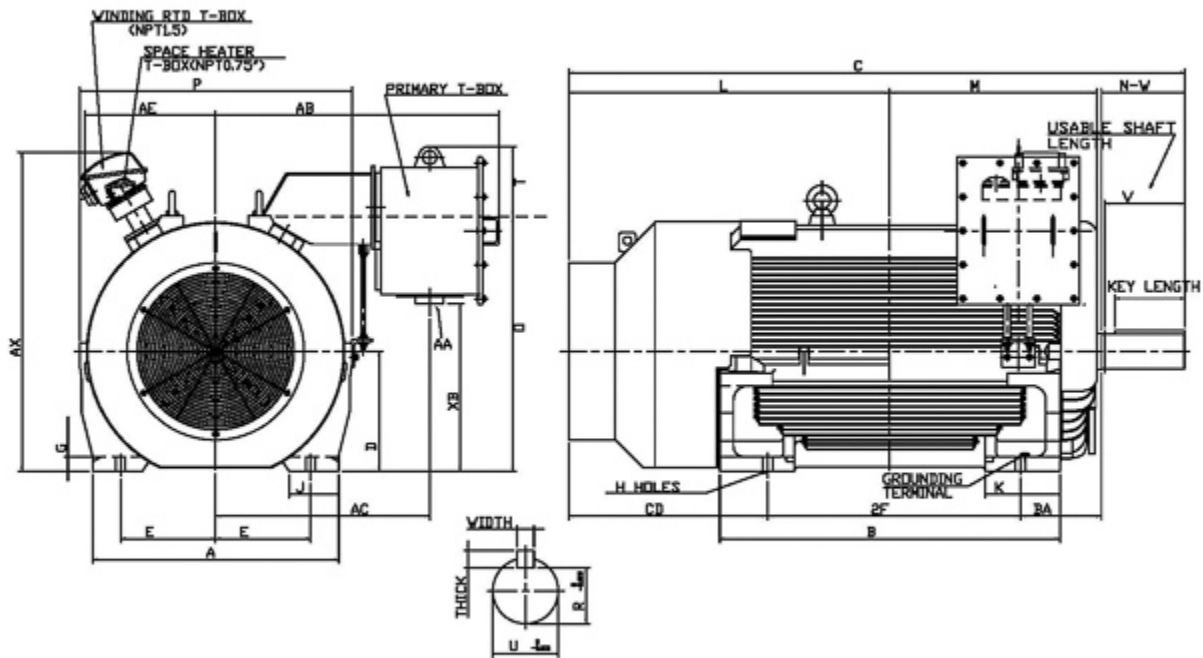


Dimensional Drawing

| Catalogue | Model | HP | Pole | kW | Rating | Voltage | Hz | RPM |
|-----------|-------|-----|------|-----|------------|-----------|----|-----|
| PDH8008R | AEHE | 800 | 8 | 597 | Continuous | 0 / 460 V | 60 | 900 |



| Frame Size | Mounting | | | | | A | B | C | CD | D | |
|------------------|----------|-------|----------|-------|--------------------|-------------|------------|-------|--------------|------------|---------|
| | E | 2F | 2F2 | H | BA | | | | | | |
| 6808C | 13.5 | 36 | | 1.38 | 11.5 | 35 | 48.45 | 87.28 | 28.29 | 17 | |
| G | J | K | L | M | O | P | T | Key | | | Keyseat |
| | | | | | | | | Width | Thick | Length | R |
| 2 | 7.1 | 10.65 | 45.9 | 28.7 | 35.7 | 38.8 | 9.6 | 1.25 | 1.25 | 10 | 4.169 |
| Terminal Housing | | | Aux Box | | | C/D Flange | | | | | |
| AA | AB | AC | XB | AE | AX | BB | AH | AK | BD | Aj | BF |
| 2x 3 NPT | 31.8 | 25.7 | 25.9 | 18.62 | 39.08 | | | | | | |
| Shaft Extension | | | Bearings | | Approx. Weight Lbs | SPL dBA/3ft | Ins. Class | S.F. | Drive Method | Dimensions | |
| N-W | U | V | DE | NDE | | | | | | | |
| 11.88 | 4.875 | 11.38 | NU326C3 | 6322 | 8850 | 80 | F | 1.15 | Belt Drive | Inches | |

Technical Data Sheet

Motor Type: AEHE

Catalogue No: PDH8008R

Nameplate Information

| | | | | | | |
|-----------|------------|----------------|-------------|-------------|--------------|----------------|
| HP | Pole | RPM | Frame | Voltage | Hz | Phase |
| 800 | 8 | 892 | 6808C | 0 / 460 | 60 | 3 |
| Enclosure | Ins. Class | Service Factor | Time Rating | NEMA Design | Rated Amb. | Rated Altitude |
| TEFC | F | 1.15 | Continuous | B | -40 to 40 °C | <3300 ft |

Typical Performance

| Efficiency (%) | | | | Power Factor (%) | | |
|-------------------|-----------------------------|---------------------------------|--------------------------------------|---------------------|-----------|--------------------------------|
| Full Load | | 3/4 Load | 1/2 Load | Full Load | 3/4 Load | 1/2 Load |
| Nom. | Min. | | | | | |
| 95.6 | 94.8 | 94.5 | 94.5 | 84.0 | 81.0 | 76.0 |
| Torque | | | | Current (A) | | |
| Full Load (lb-ft) | Locked Rotor (% FLT) | Pull Up (% FLT) | Break Down (% FLT) | No Load | Full Load | Locked Rotor |
| 4708.52 | 85 | 85 | 200 | 0.0 / 294.0 | 933.0 | 6300 |
| NEMA KVA Code | Inertia (WR ²) | | | Safe Stall Time (s) | | Noise Level Sound Press. dB(A) |
| | Rotor (lb-ft ²) | NEMA Load (lb-ft ²) | Max. Allowable (lb-ft ²) | Cold | Hot | |
| 0 | 1325.000 | 15826.0 | 31652.0 | 25 | 19 | 80 |

VFD Duty Information

| Speed Range | | | VFD | | S.F. |
|-----------------|-----------------|----------------|---------|--------------|------|
| Constant Torque | Variable Torque | Constant Power | Carrier | Type | |
| 20-60Hz | 3-60Hz | 60-60Hz | ≤ 5 kHz | VPWM or CPWM | 0 |

Additional Information

| Bearings | | Approx. Weight |
|----------|------|----------------|
| DE | NDE | lbs |
| NU326C3 | 6322 | 8850 |

Hazardous Locations Information

| | |
|----------------------------|---------|
| N/A | |
| N/A | |
| N/A | |
| Temp Code (Sinewave / VFD) | T3 / T3 |