

No reproduction of this drawing is allowed without written permission of WEG Motores

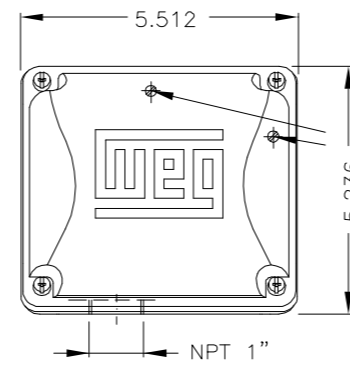
EIXO	
PADRÃO	
OPCIONAL	
ESPECIAL	X

Dimensões em polegadas  
Dimensions in inches

**PRELIMINARY DOCUMENT**

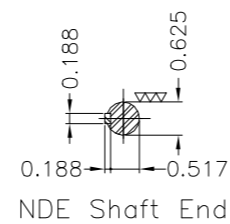
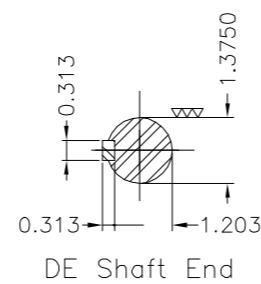
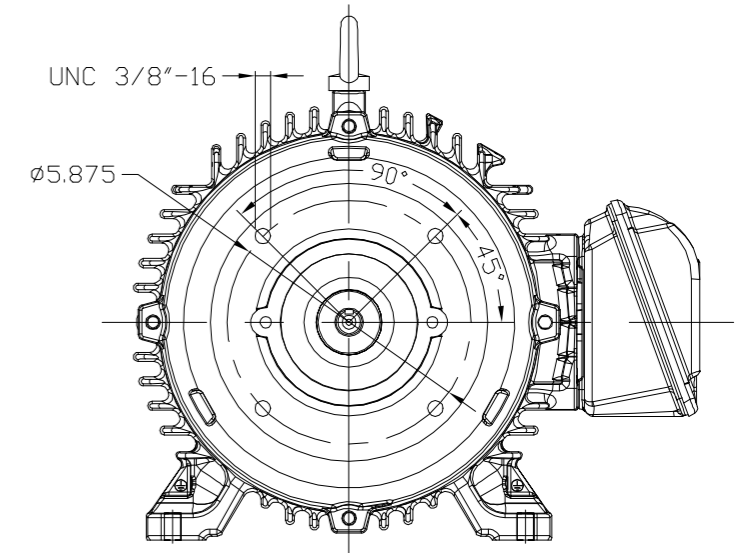
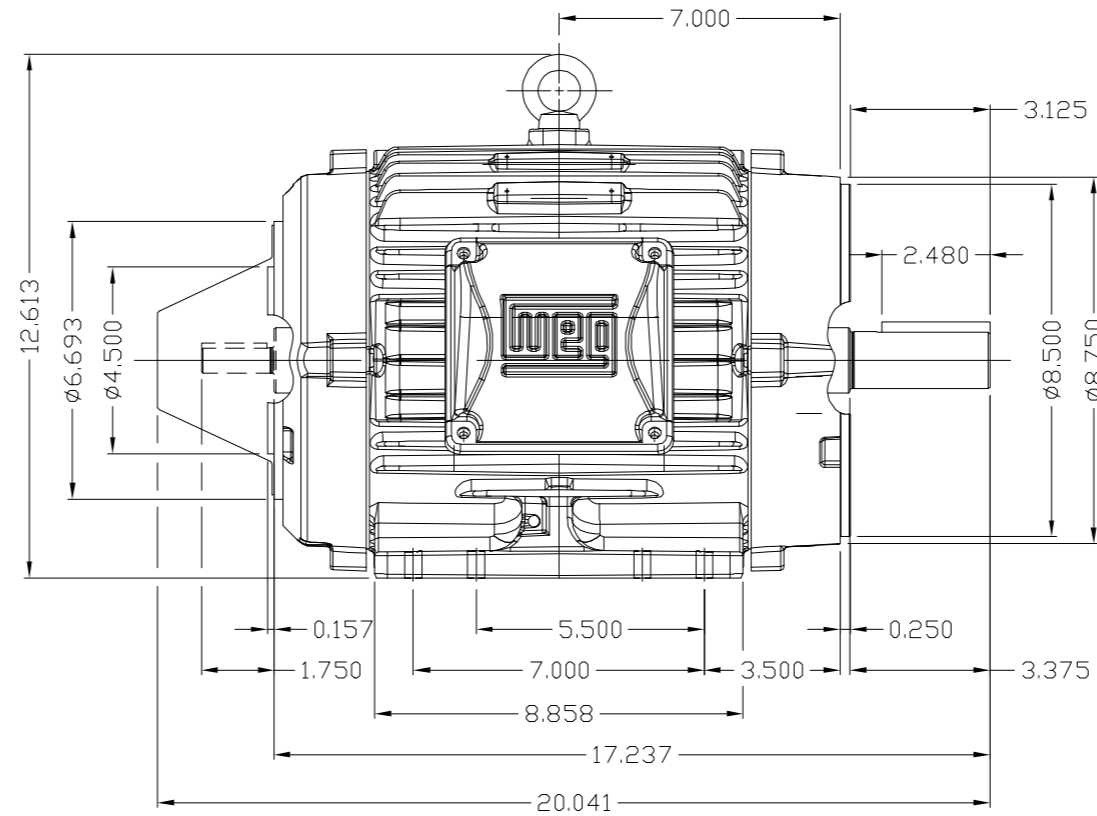
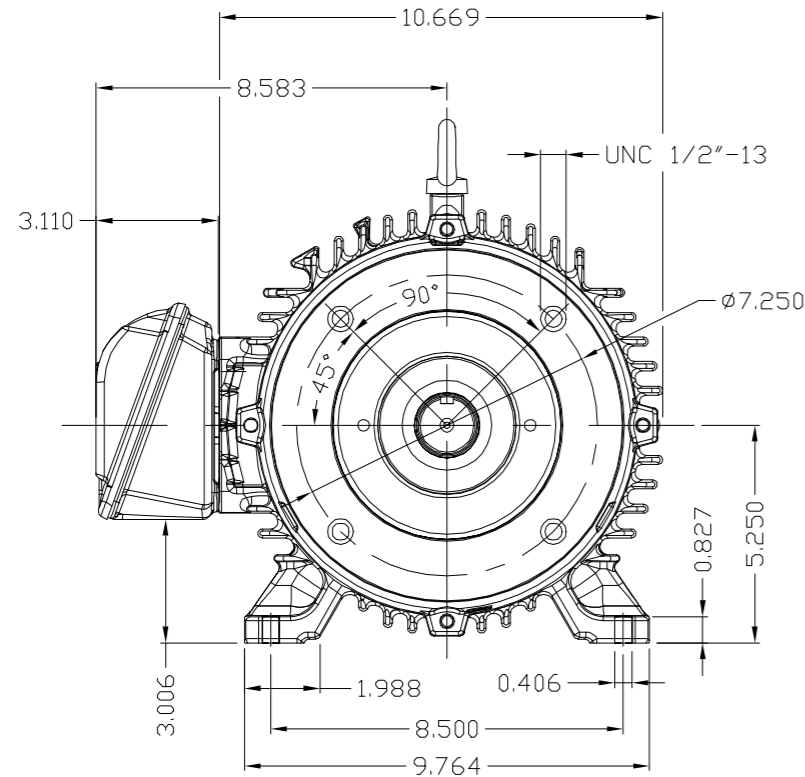
Not to be used for installation purposes.

THIS IS AN UPDATED REVISION, THE PREVIOUS ONE MUST BE DISREGARDED.



Grounding for leads 2-10mm<sup>2</sup>

Main terminal box



Protector Térmico Manual / Manual Overload Protector  
Sin deflectora / Without fan cover  
Termostato 155°C - Desconexión / Thermostats 155°C to trip  
Anillo fijación del rodamiento / Bearing cap  
Sin ventilador / Without fan  
Plan de pintura 207A / Painting plan 207A  
Forma constructiva NEMA F-1 / Mounting NEMA F-1  
Forma constructiva B34D / Mounting B34R(D)

**WEG ELECTRIC CORPORATION - WEC**

OV: 3030514  
PC: Vector Duty

500000841966	DOCUMENTO NOVO	RALCANTARA	AZUE	06.01.2014	00			
ECM	LOC	SUMMARY OF MODIFICATIONS		EXECUTED	CHECKED	RELEASED	DATE	VER
EXECUTED	RALCANTARA	THREE PHASE W22 MOTOR - NEMA PREMIUM EFF						
CHECKED		FRAME 213/5TCZ IP55						
RELEASED	AZUE							
REL DT	06.01.2014	WMX	HUEHUETOCA	INGENIERA DEL PRODUCTO	10002647750		000	00
				SHEET		1 / 1		

7.5 HP 04 Poles 60Hz

