

DATE
OCTOBER 29, 2009

OUTLINE DIMENSIONS

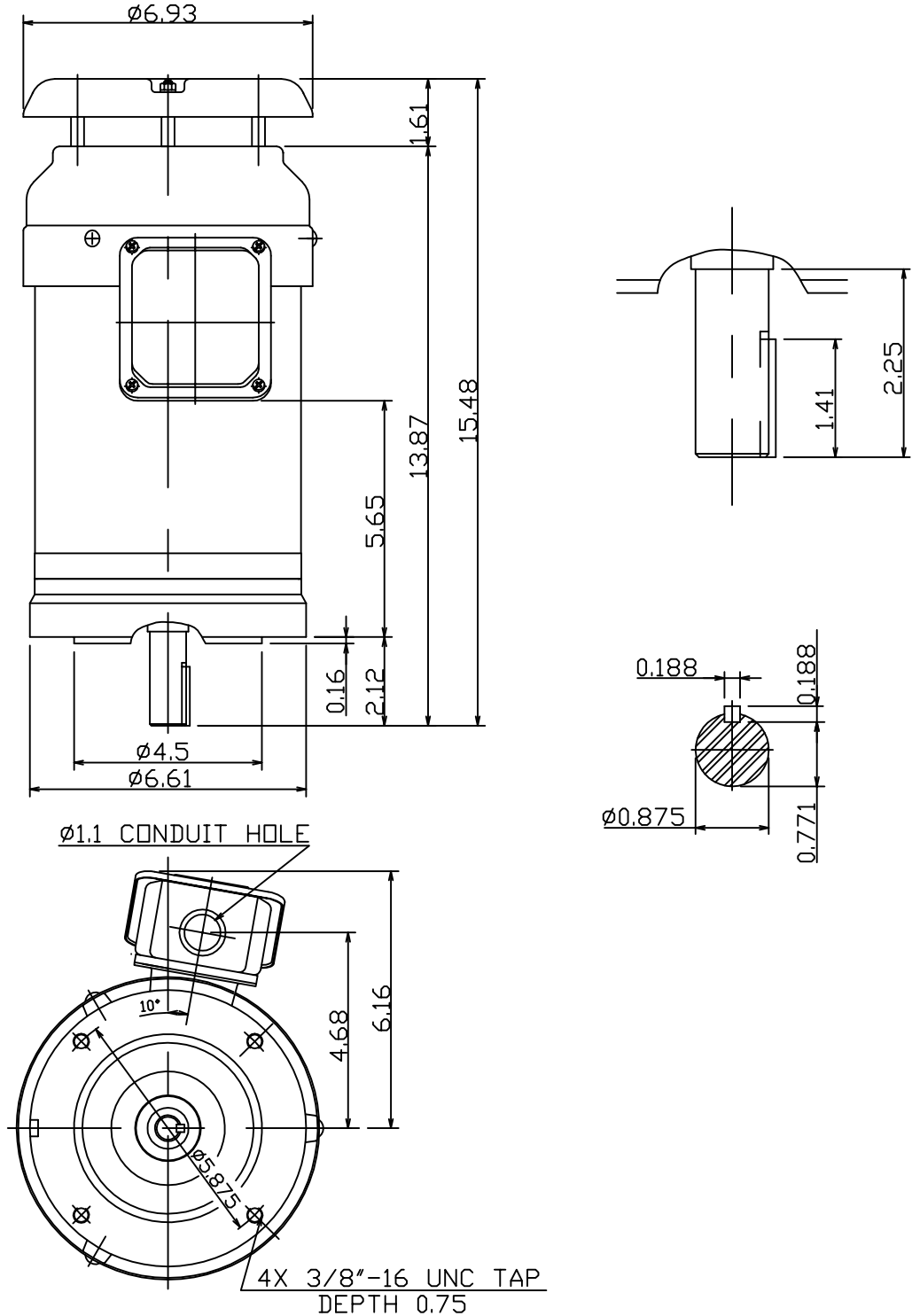
3-PHASE INDUCTION MOTOR

MOTOR TYPE:
AETHCF
FRAME NO. 145TC

CAT. #: GPV0024C

Pole	HP	kW	Hz	VOLT	Syn.Speed r/min(rpm)
4	2	1.5	60	230/460	1800

Ins	Rating	Dimension in	Approx Weight	Bearings
F	CONT.	inch.	46 lbs.	DE: 6205ZZ NDE: 6204ZZ



09.24.09 防雨蓋尺寸變更 陳奕元

DWN.	Y.Y.CHEN	09-22-09
CHKD.	C.Y.CHEN	09-24-09
APPD.	M.C.TSAI	09-24-09

TECO Westinghouse

DWG NO.
31049Z107741