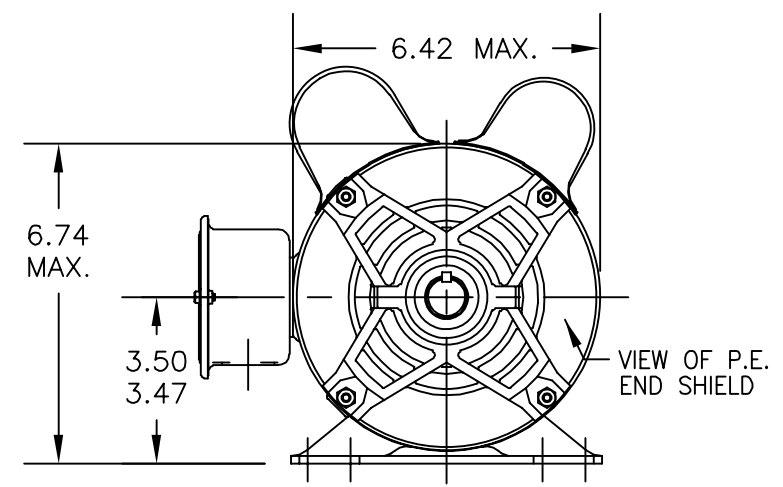
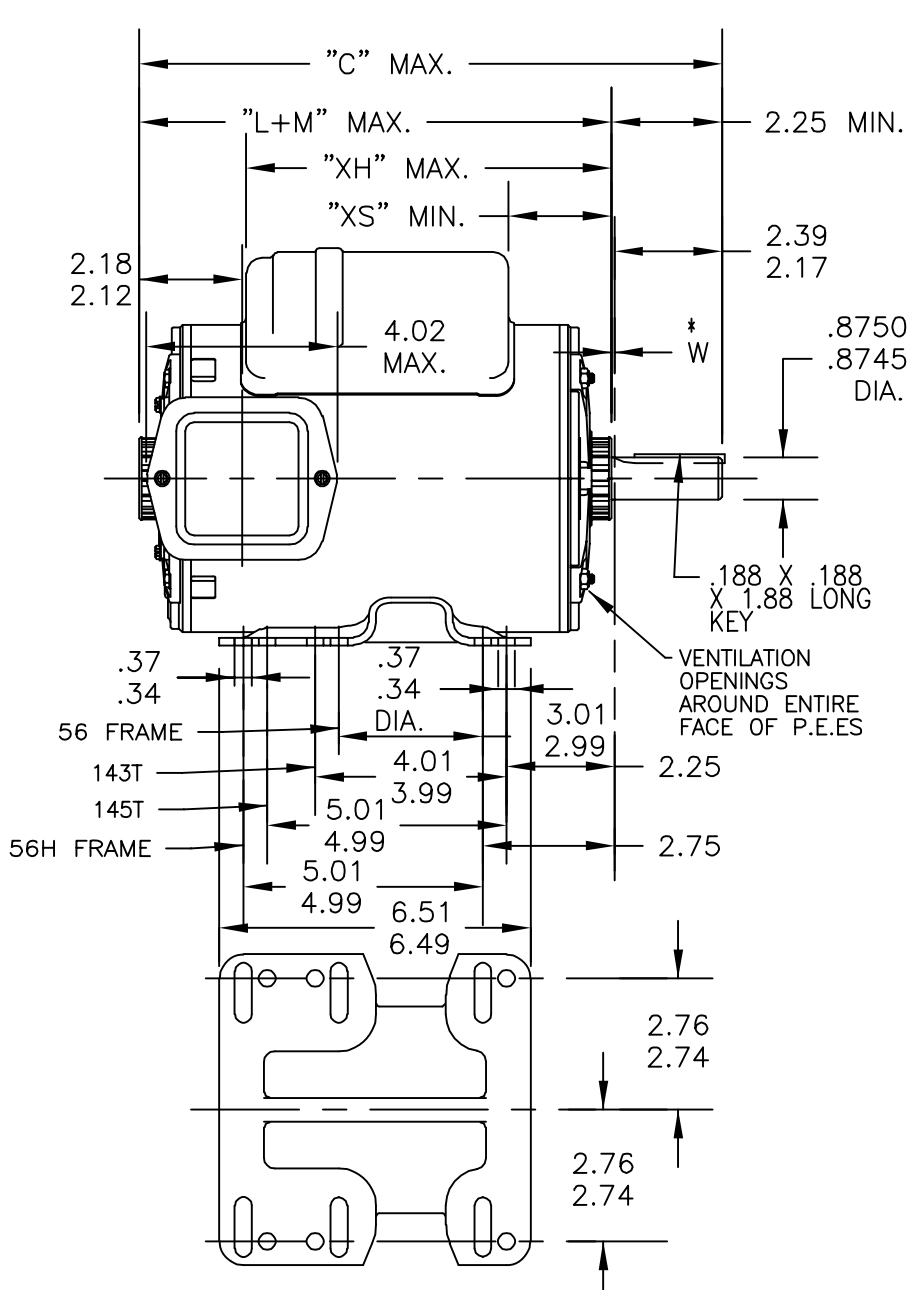
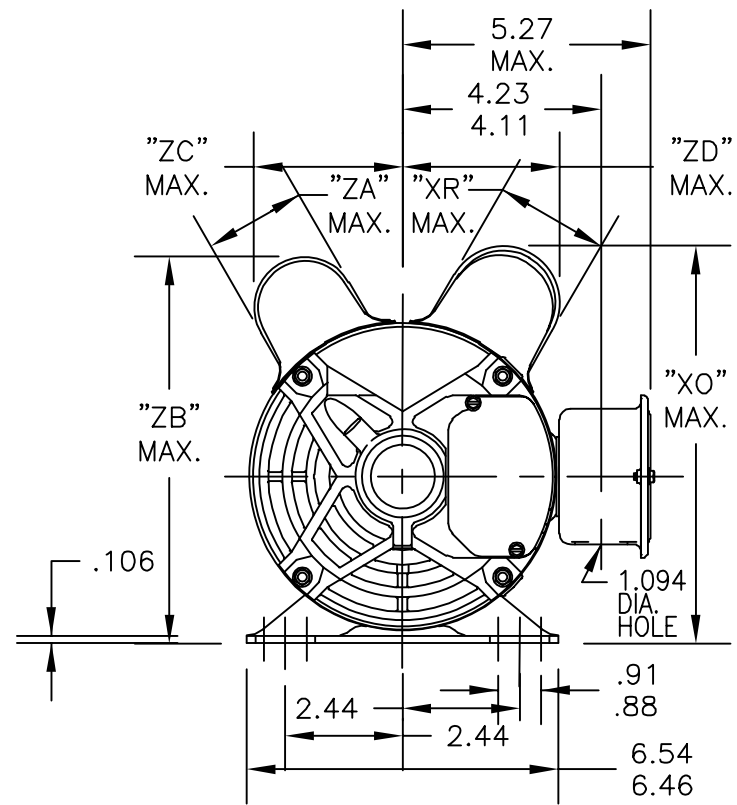


52A109637



* W IS A VARIABLE CLEARANCE DUE TO VARIATIONS IN PARTS AND ASSEMBLY

ALL DIMENSIONS ARE IN INCHES

2	KCR	48	143T 145T	13.13	10.76	7.76	7.81	1.60	2.01	2.40	8.40	3.38	2.86	8.43
1	KCR	49	143T 145T	14.33	11.96	8.30	8.78	2.72	2.61	2.10	8.16	3.14	3.43	9.63
P	TYPE	RBC SIZE	NEMA FR.	"C"	"L+M"	"XH"	"XO"	"XR"	"XS"	"ZA"	"ZB"	"ZC"	"ZD"	MIN. SHELL

				TOLERANCES UNLESS SPECIFIED						DRAWN M.D.P 06/22/94	
				DEC.	INCHES					CHK	
				.X	±0.1	APPD M.D.P 06/22/94					
4	REDRAWN IN DRAFT SIGHT NO CHANGES	GR	10/16/12	PKG	.XX	±0.02	TITLE OUTLINE DP- WELDED BASE				SCALE 1=1
3	CHG TO RBC FORMAT PER IS05-1777	SD	03/22/06		.XXX	±0.005					REF
2	REV. O.E. E.S. PER TI95-22196.	MDP	10/20/95		.XXXX	±0.0005	MAT'L.	FMF			
NO.	REVISION	BY & DATE	CHK	ANG	±1.0	FINISH	PREV				
THIS DRAWING IN DESIGN AND DETAIL IS OUR PROPERTY AND MUST NOT BE USED EXCEPT IN CONNECTION WITH OUR WORK ALL RIGHTS OF DESIGN AND INVENTION ARE RESERVED THIS IS AN ELECTRONICALLY GENERATED DOCUMENT - DO NOT SCALE THIS PRINT				RFP	CAD FILE	52A109637	SIZE	DRAWING NO.	REV.		
				DIST			A	52A109637	4		