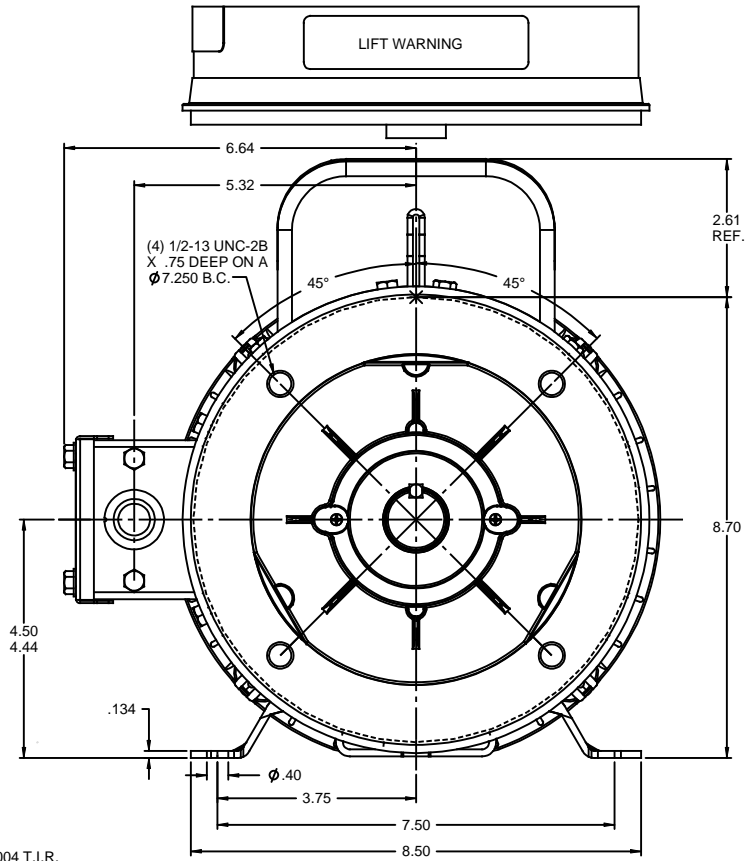
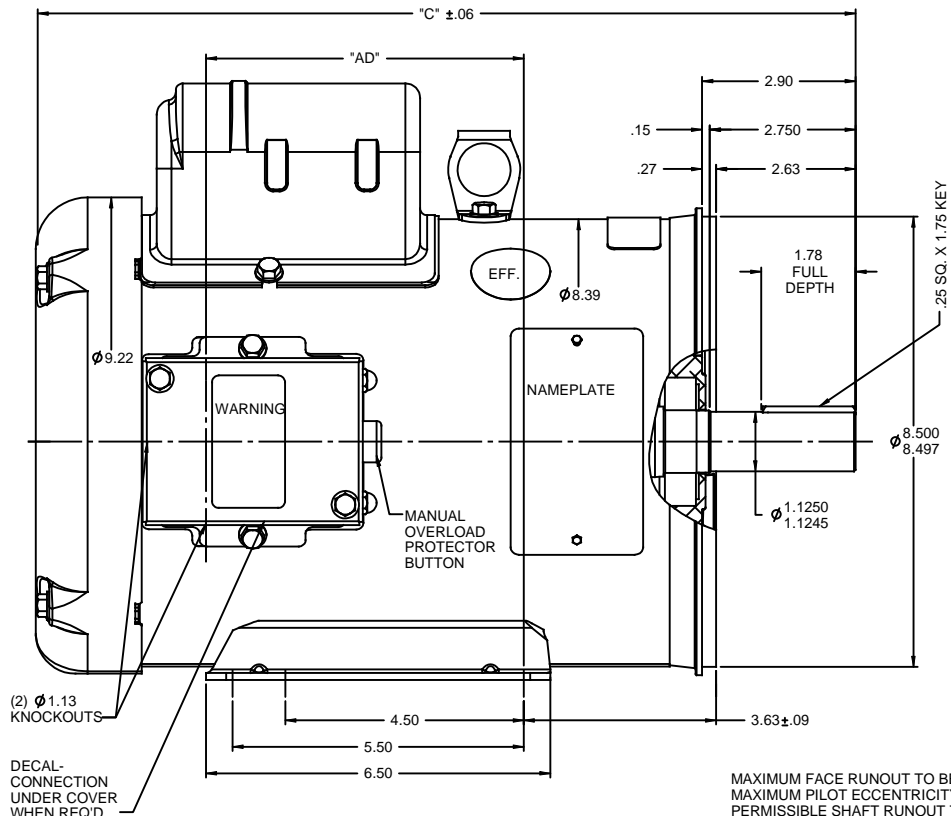


RBC PROPRIETARY AND CONFIDENTIAL INFORMATION
 This document is the property of REGAL BELOIT CORPORATION ("RBC") including its subsidiaries and divisions and contains proprietary information of RBC. This document is loaned on the express condition that neither it nor the information contained therein shall be disclosed to others without the express written consent of RBC, and that the information shall be used by the recipient only as approved expressly by RBC. This document shall be returned to RBC upon its request. This document may be subject to certain restrictions under U.S. export control laws and regulations.



MAXIMUM FACE RUNOUT TO BE .004 T.I.R.
 MAXIMUM PILOT ECCENTRICITY TO BE .004 T.I.R.
 PERMISSIBLE SHAFT RUNOUT TO BE .002 T.I.R.
 GASKETS THROUGHOUT

DASH NO.	"C"	"AD"
850	13.97	4.50
900	14.47	5.00
950	14.97	5.50
1000	15.47	6.00
1050	15.97	6.50
1100	16.47	7.00
1150	16.97	7.50
1200	17.47	8.00

TOLERANCES UNLESS SPECIFIED:			DRAWN PG 10/30/97
DEC	INCHES		CHK RK 10/30/97
X	±.1	APP	SCALE 1:2
XX	±.03	TITLE OUTLINE - 180TC FRAME	REF 033178
XXX	±.005	MATL W/MANUAL PROTECTOR	PAGE OF
XXXX	±.0005	FINISH	REV
NO	REVISION	BY & DATE	SIZE DRAWING NO
			B 035381
		THIRD ANGLE PROJECTION	REV
		NETWORK FILE NAME	

RBC PROPRIETARY AND CONFIDENTIAL INFORMATION
 This document is the property of REGAL BELOIT CORPORATION ("RBC") including its subsidiaries and divisions and contains proprietary information of RBC. This document is loaned on the express condition that neither it nor the information contained therein shall be disclosed to others without the express written consent of RBC, and that the information shall be used by the recipient only as approved expressly by RBC. This document shall be returned to RBC upon its request. This document may be subject to certain restrictions under U.S. export control laws and regulations.