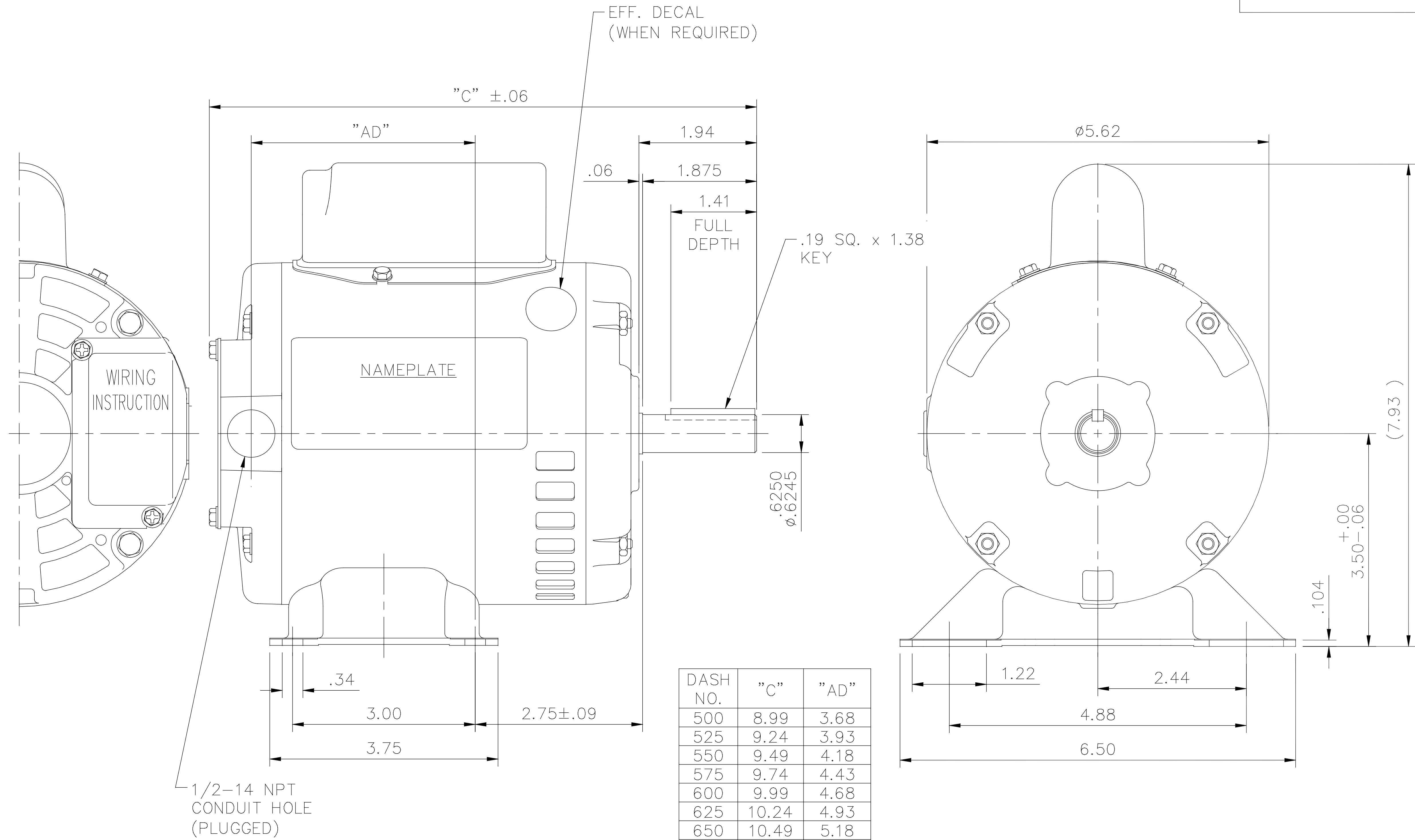


031619



				TOLERANCES UNLESS OTHERWISE SPECIFIED			<b>LEESON</b> ELECTRIC CORPORATION				
				DEC.	INCHES	METRIC					
				.X	±.1	±.25	DRAWN	PG 5/24/01	TITLE		OUTLINE - S56 FRAME
				.XX	±.03	±.76	APPR.				RIGID MOUNT - DRIP PROOF
01	UPDATED WITH CAP BOX AND DECAL	SL	09/30/15	JD	.XXX	±.005	±.127	R.F.P.	MAT'L.		1 PHASE
NO.	REVISION	BY & DATE	CH'K'D.	.XXXX	±.0005	±.0127	SCALE	1=2			
THIS DRAWING IN DESIGN AND DETAIL IS OUR PROPERTY AND MUST NOT BE USED EXCEPT IN CONNECTION WITH OUR WORK ALL RIGHTS OF DESIGN AND INVENTION ARE RESERVED THIS IS AN ELECTRONICALLY GENERATED DOCUMENT - DO NOT SCALE THIS PRINT				FRACTIONS	±1/64	REF.	031067	FINISH	REV.	DRAWING NO.	
				ANGLES	±1/2°	FMF	100006			031619	