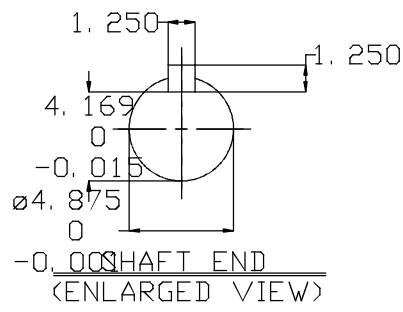
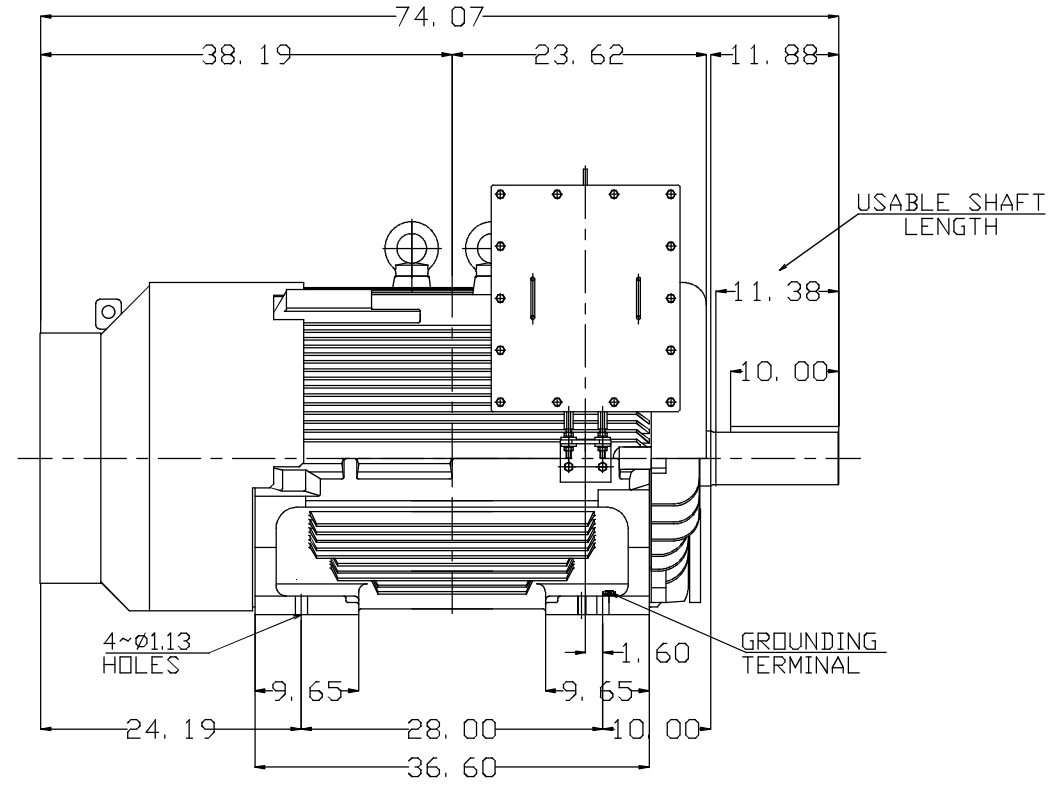
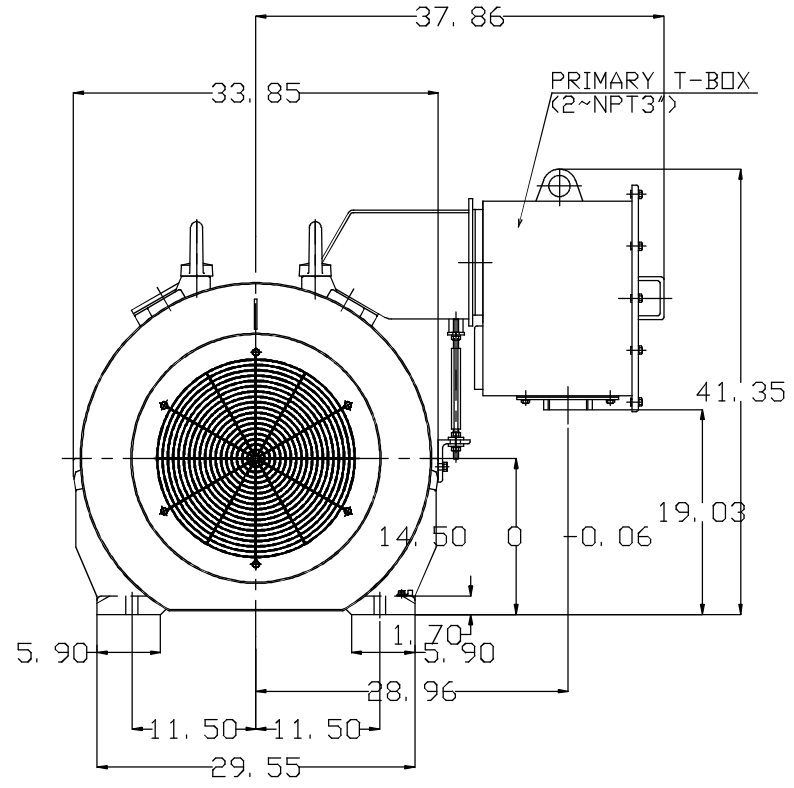


6 | 5 | 4 | 3 | 2 | 1

TYPE	OUTPUT		POLE	TIME RATING	VOLTAGE V	Hz	SYN.SPEED R.P.M
	HP.	KW.					
AEHH8N	400	298	8	CONT.	460	60	900

TOTALLY ENCLOSED FAN-COOLED TYPE, SQUIRREL-CAGE ROTOR



- NOTE:
1. DIMENSIONS IN inch
 2. FRAME NO. 5808C
 3. F CLASS INSULATION, S.F.115
 4. FOR BELT DRIVE APPLICATIONS
 5. ENCLOSURE: IP54
 6. BEARING SIZE: DRIVE-END NU326C3
OPP. DRIVE-END 6322
 7. MOTOR APPROX. WEIGHT: 5100 lb

DATE	OUTLINE DIMENSIONS	
CATALOG # E4008R	3-PHASE INDUCTION MOTOR	

DWN.	Y.DU	MAR-24-2014
CHKD.	W.CHENG	MAR-29-2014
APPD.	C.SHIH	MAR-29-2014



DWG NO. REV:00
4B040C041

6 | 5 | 4 | 3 | 2 | 1