

DATE  
February 18, 2004  
CATALOG NO.  
DJP0052

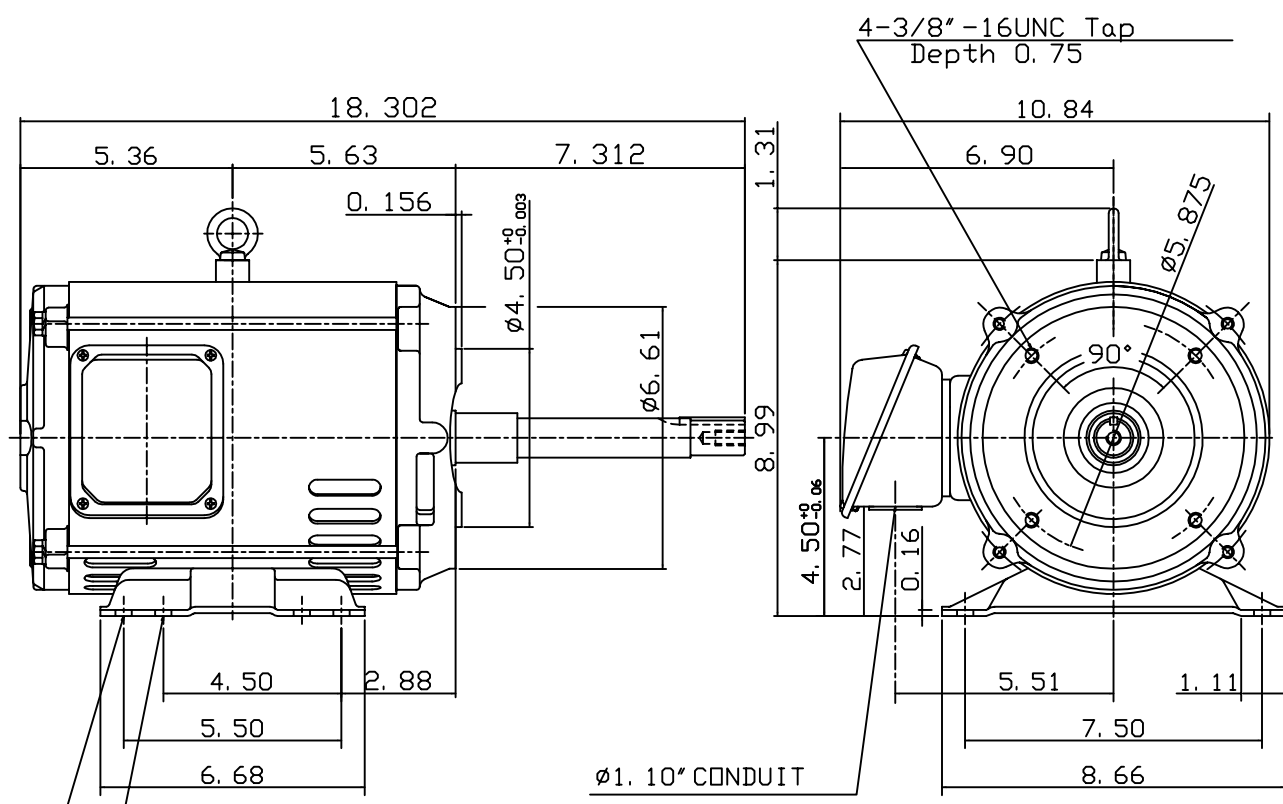
OUTLINE DIMENSIONS  
3-PHASE INDUCTION MOTOR

MOTOR TYPE:  
ASGAJP  
FRAME NO. 182JP

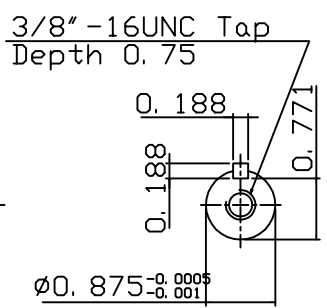
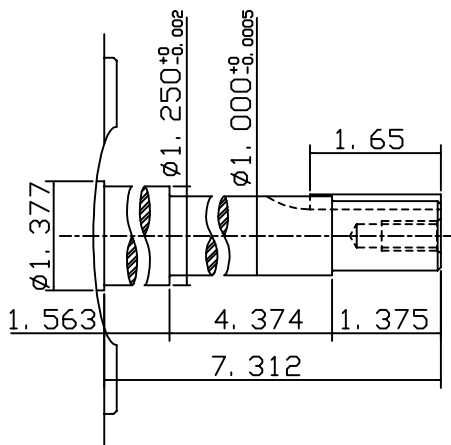
Pole	HP	kW	Hz	VOLT	Syn. Speed r/min(rpm)
2	5	3.75	60	230/460	3600

Ins	Rating	Dimension in	Approx Weight	Bearings
F	CONT.	inches	93 lbs.	DE: 6207ZZC3 NDE: 6205ZZC3

Open Protected Drip-Proof Squirrel Cage Rotor.



4- $\phi$ 0.41 Holes  
(182JP)  
4- $\phi$ 0.41 Holes  
(184JP)



DWN. J. T. HWANG 04-11-03  
CHKD. J. S. JEAN 04-11-03  
APPD. Y. B. HUANG 04-11-03



DWG NO.  
31049U536520