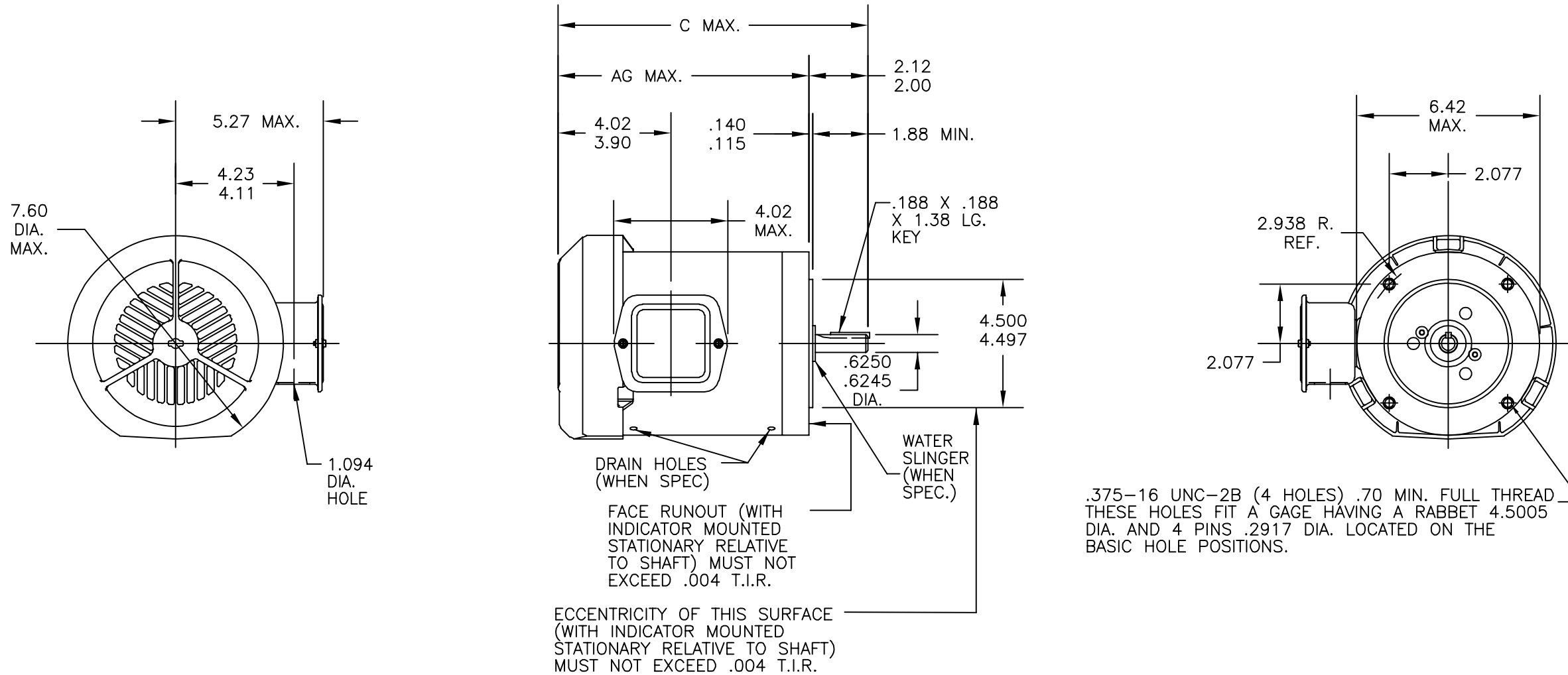


52A109667



4	K	49	56C	11.41	9.29	6.15
3	K	49	56C	14.89	12.77	9.63
2	K	49	56C	12.44	10.32	7.15
1	K	49	56C	14.25	12.13	8.99
P	TYPE	RBC SIZE	NEMA FR.	C	AG	MIN. SHELL

				TOLERANCES UNLESS SPECIFIED			DRAWN PVR 06/16/14		
				DEC.	INCHES	REGAL-BELOIT CORPORATION			CHK PKG 06/16/14
				.X	±.1	REGAL-BELOIT CORPORATION			APPD
				.XX	±.02				SCALE NTS
4	ADDED PRT #4 PER ME14-2947	PVR 06/16/14	PKG	.XXX	±.005	TITLE OUTLINE 40 FR. REDESIGN			REF
3	CHG TO RBC FORMAT PER ISO5-1777	SUD 03/22/06		.XXXX	±.0005	TEFC-BALL BEARING - R2 END MOUNTED			FMF
NO.	REVISION	BY & DATE	CHK	ANG	±7'30"	FINISH			PREV
THIS DRAWING IN DESIGN AND DETAIL IS OUR PROPERTY AND MUST NOT BE USED EXCEPT IN CONNECTION WITH OUR WORK ALL RIGHTS OF DESIGN AND INVENTION ARE RESERVED THIS IS AN ELECTRONICALLY GENERATED DOCUMENT - DO NOT SCALE THIS PRINT				RFP	CAD FILE 52A109667			SIZE	DRAWING NO. PAGE OF REV.
				DIST	WA-LB-PR			A	52A109667 4