

Product Information Packet

November 8, 2016

Data shown is for the current revision model #. Ensure your nameplate model # matches.

Model Number:	5KS365SAA308D12
Catalog Number:	M9126
Instruction Manual:	GEI-56128
Connection Diagram:	GEM2034E-FIG1
Outline Drawing:	239C6200AA

Accessory Connection Diagrams			
Bearing Thermocouple:	None	Heater:	None
RTD:	None	Thermistor:	None
Thermostat:	None	Winding Thermocouple:	None
Bearing RTD:	None		

Table of Contents

Specification	01
Performance Characteristics	02
Outline Drawing	03
Connection Drawing(s)	04
Spare parts	05



Marks:

MODEL NUMBER:	5KS365SAA308D12	Estimated Weight:	1000 Lbs
Outline Drawing:	239C6200AA	Time Rating:	CONT
Connection Diagram:	GEM2034E-FIG1	Enclosure:	TEFC
Instruction Book:	GEI-56128	Encl Construction:	X\$D
Design Code:	36BD3090A	Ambient Max(°C):	40
Type:	KS	Alt Ambient Max(°C):	60
Frame:	365T	Insulation Class:	H
Phases:	3	NEMA Design:	B
Poles:	6	Nominal Efficiency:	94.1 %
Output Power:	50HP 37KW	Guaranteed Efficiency:	93.6
RPM:	1185	3/4 Load Efficiency:	94.3
Voltage:	460	KVA Code:	G
Hertz:	60	Max KVAR:	20.4
Amps - FL:	61.8	Power Factor:	80.5
Service Factor:	1.15	Bearing - DE:	6314ZC3
Alt Service Factor:	1.00	Bearing - ODE:	6314ZC3

Enclosure is Totally Enclosed Fan-Cooled

Stamped Nameplate Notes:

STAMP NP249A5564P051 AS BELOW:
 MODEL:5KS365SAA308D12 S/N: XXX
 CSA CERTIFIED CSA09.2216219 FOR EX NA IIC 200 C GC
 CL 1 ZONE2 AEX NA IIC 200C;CL 1 DIV2 GRP ABCD 200C
 IN -40C <= AMB <= 40C, 1.0 SF ON SINE-WAVE PWR
 SURF TEMP 230C AT 1.15SF ON SINE-WAVE PWR
 OR 200C VT OR 230C CT OR 200C CHP PWM CONTROL
 ALTERNATE RATING FOR PWM CONTROL 1.0SF 40C AMB
 VT 0 - 60 HZ, CT 10-60 HZ, CHP 60-90 HZ.

Additional Information:

6P - T EXTN
 346 CU IN - 3.00" NPT
 OIL RESISTANT SLEEVING ON LEADS
 F1 MOUNTING

Performance Characteristics

1st Winding 1st Connection

Design: 36BD3090A

Marks:

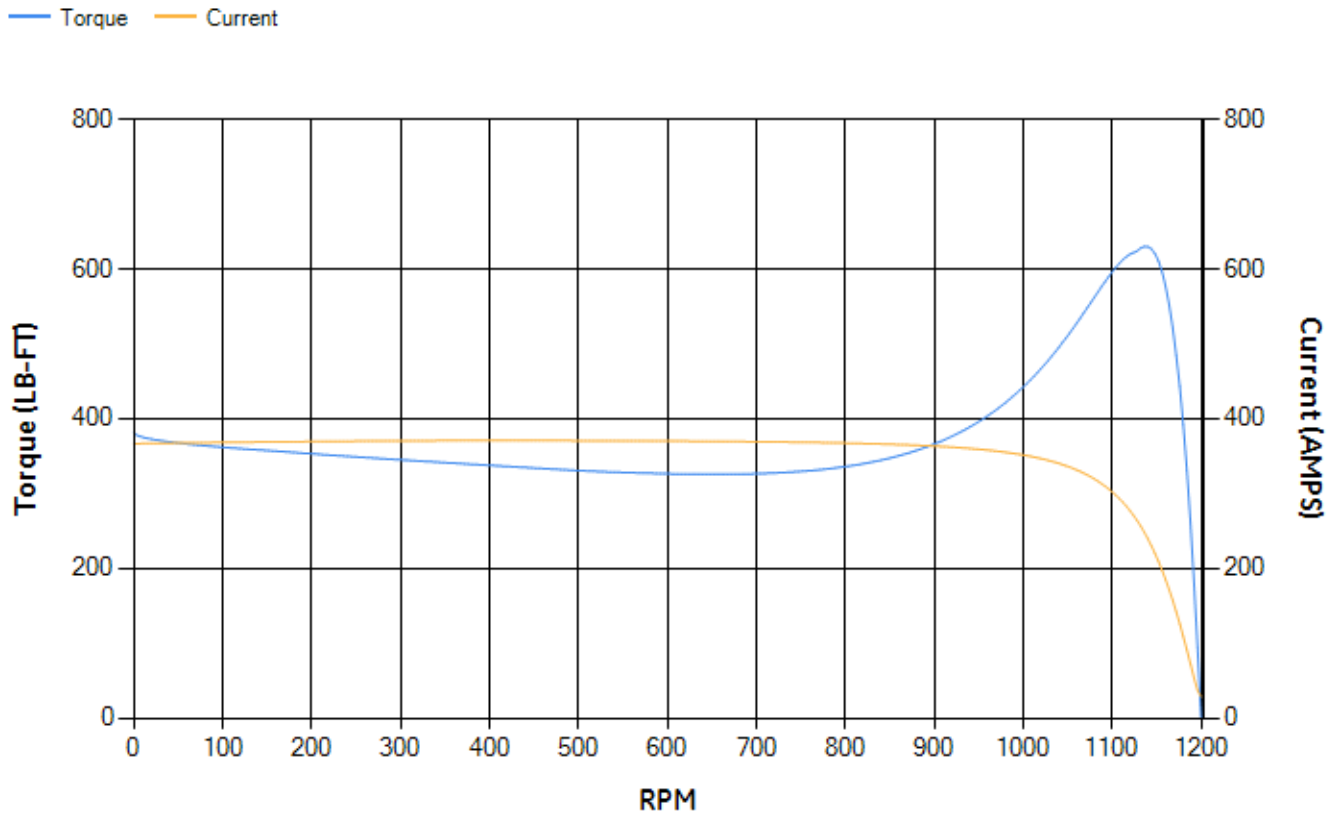
LOAD %	125.0	115.0	100.0	75.0	50.0	25.0	0.0
% EFF	93.26	93.55	94.12	94.25	93.89	91.04	0.00
% PF	83.22	82.3	80.32	74.49	62.88	40.2	3.2
AMPS	75.38	69.9	61.77	49.99	39.63	31.96	28.42

TORQ(FL)#FT	221.34	TORQ(LR)%FL	172.58	TORQ(BD)%FL	280.75
AMPS(LR)	366.57	PF AT START	0.38		

This motor is capable of two cold or one hot start with a maximum connected load inertia of 3011 Lb-Ft Sq (126.76 Kg-meter Sq)at 100% voltage, where the load torque varies with the square of the speed. Acceleration time with maximum inertia and the above load type is 39 seconds. Safe stall time at 100% voltage is 92 seconds cold, 49 seconds hot. Rotor inertia is 20.26 Lb-Ft Sq (0.85 Kg-meter Sq).

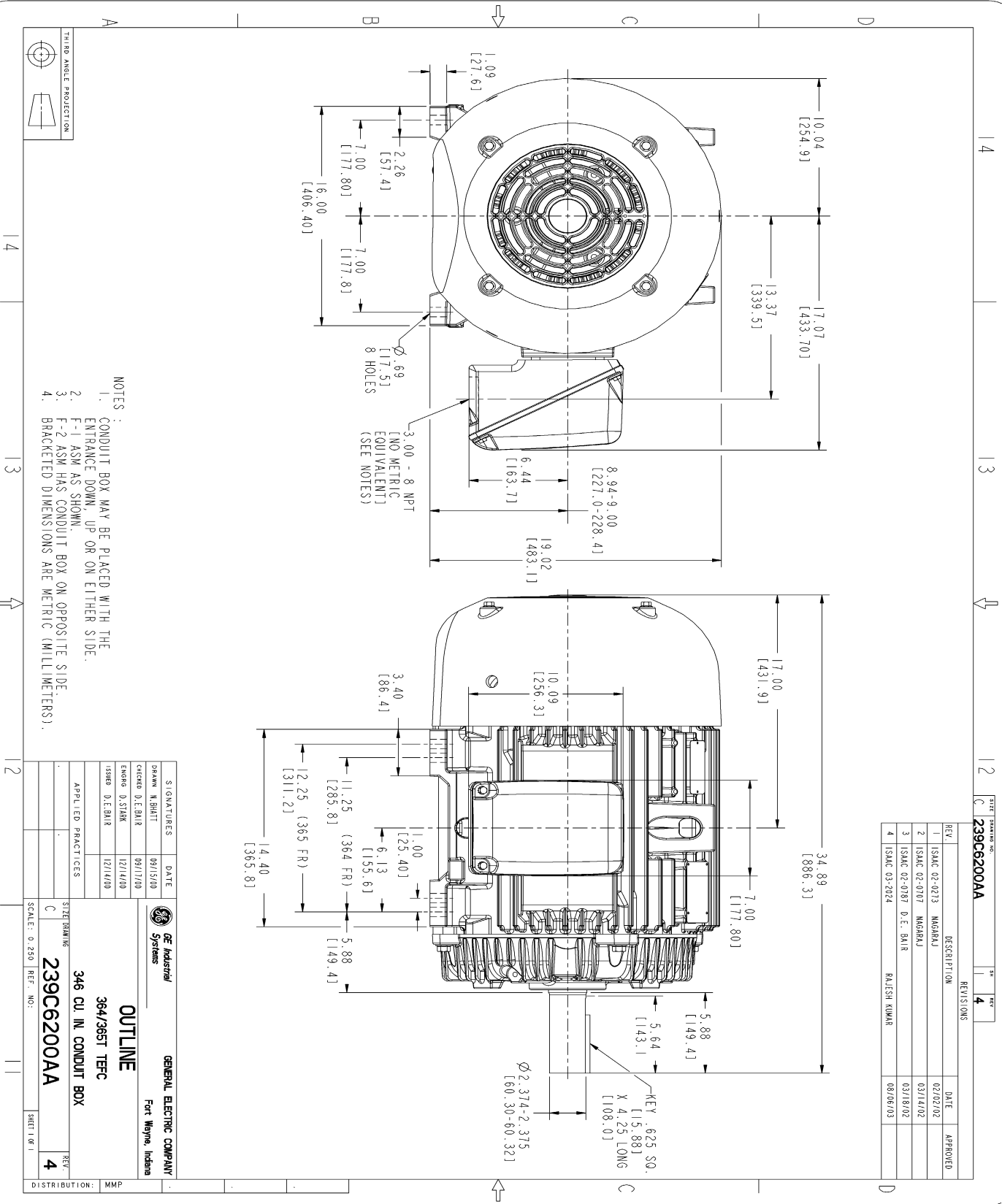
Open Circuit A-C:	0.457	Short Circuit D-C:	0.015
Short Circuit A-C:	0.027	X/R Ratio:	5.743
Stator Slots:	72	Rotor Slots:	58

Speed Torque Current Curve (First Connection, First Speed)



NAME: 103016807 OBJECT: 239C6200AA DATE: 07-Aug-03 23:32:55

Marks:



THIRD ANGLE PROJECTION

- NOTES:
1. CONDUIT BOX MAY BE PLACED WITH THE ENTRANCE DOWN, UP OR ON EITHER SIDE.
 2. F-1 ASM AS SHOWN.
 3. F-2 ASM HAS CONDUIT BOX ON OPPOSITE SIDE.
 4. BRACKETED DIMENSIONS ARE METRIC (MILLIMETERS).

SIGNATURES	DATE	DESCRIPTION	DATE	APPROVED
DRAWN M. BHATT	09/15/00		02/02/02	
CHECKED D.E. BHAR	09/17/00		03/14/02	
ENGINEER D. STARK	12/11/00		03/18/02	
ISSUED D.E. BHAR	12/11/00		08/06/03	

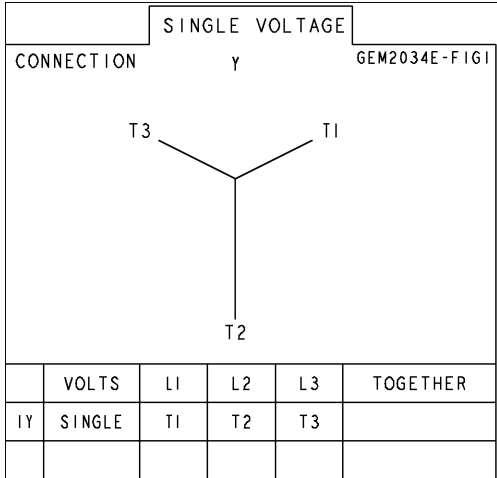
APPLIED PRACTICES	
SCALE: 0.250	REF. NO:
GENERAL ELECTRIC COMPANY Fort Wayne, Indiana OUTLINE 364/365T TERC 346 CU. IN. CONDUIT BOX 239C6200AA	
SHEET NO. 1	REV. 4
DISTRIBUTION: MMP	

REV.	DESCRIPTION	DATE	APPROVED
1	ISSAC 02-0213	02/02/02	
2	ISSAC 02-0707	03/14/02	
3	ISSAC 02-0787	03/18/02	
4	ISSAC 03-2024	08/06/03	

REV. 4

Marks:

Connection Diagram
GEM2034E-FIG1



End shield Assembly		
Part Description	DE Side Part#	ODE Side Part#
End Shield	115E4250AA1	115E4250LK1
Bearing	235A2616AA01	235A2616AA01
Slinger/Inproseal	149C4399G05	149C4399G05

Fan & Fan Cover Assembly	
Part Description	Part#
Fan	159C7100G01
Fan Cover	128D6810AA1

Conduit & Accessories Box Assembly	
Part Description	Part#
Conduit Box	149C4429AA2

Mechanical Accessories	
Part Description	Part#
Brake	
Tachometer	