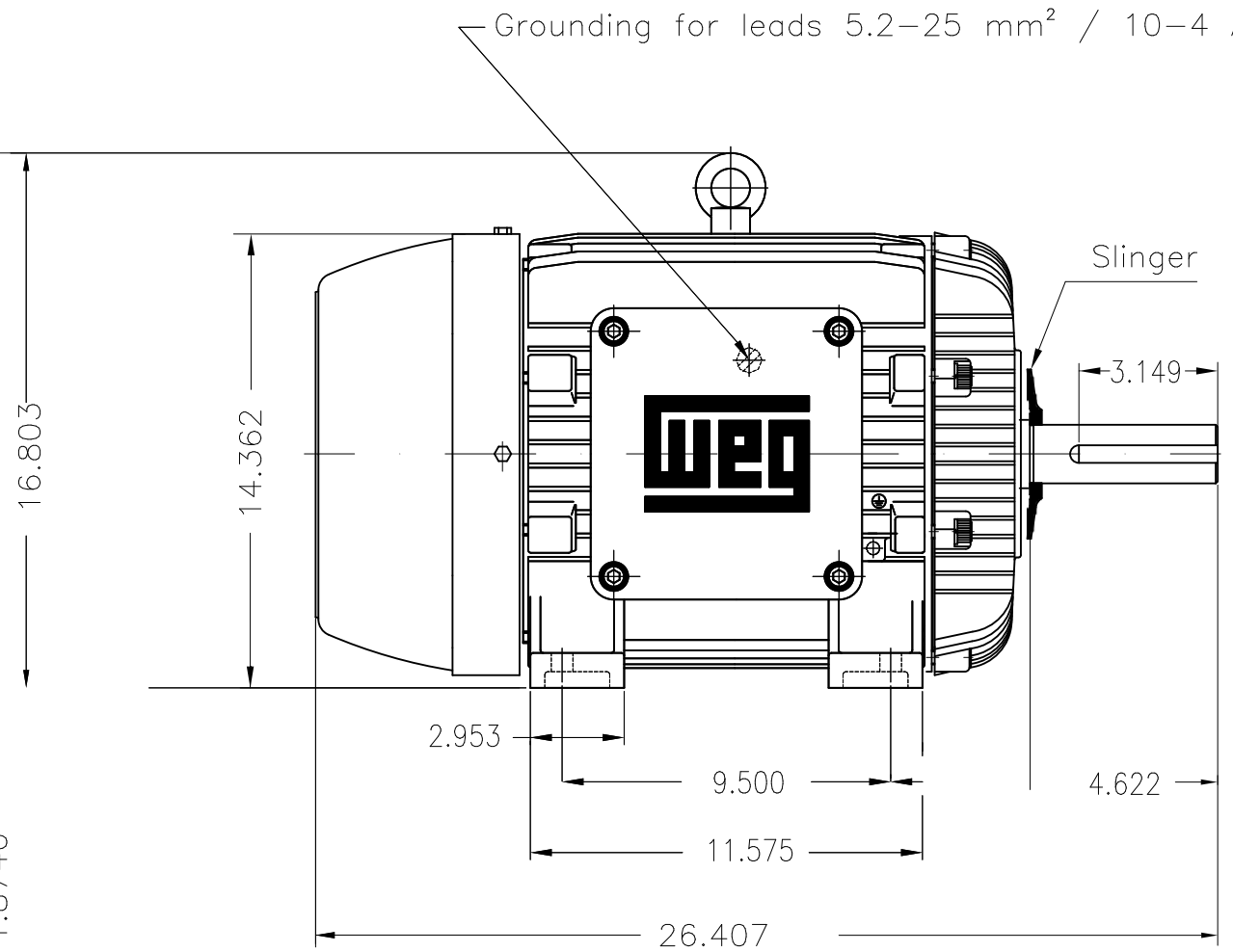
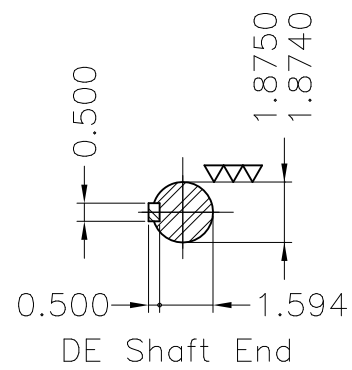
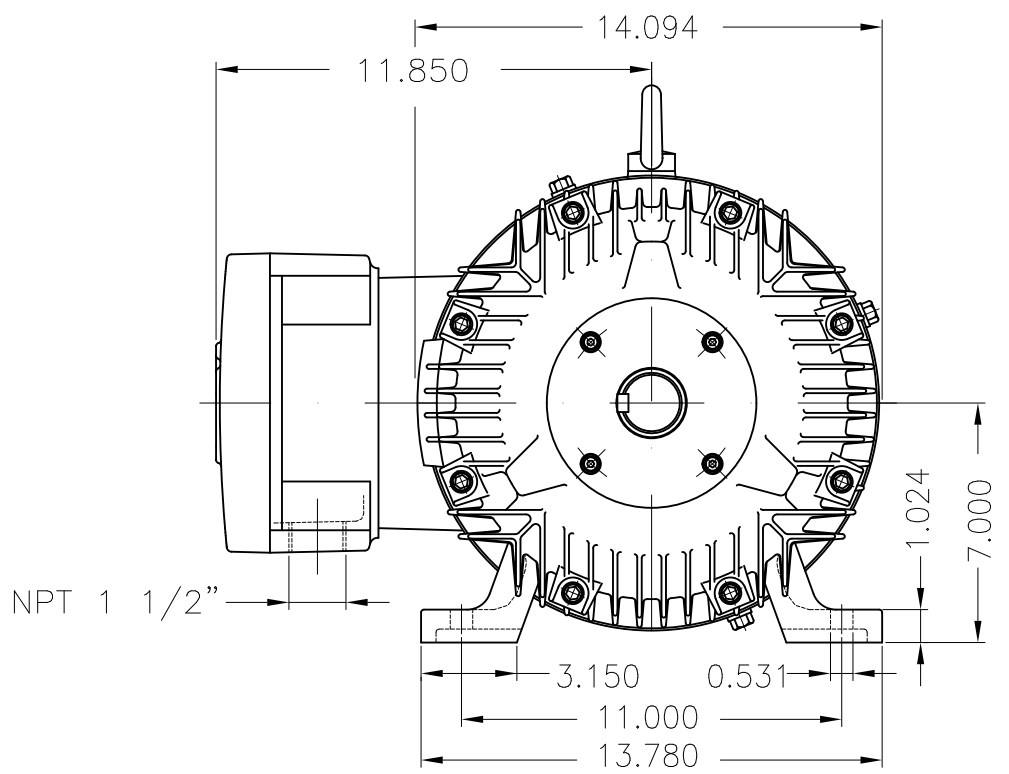
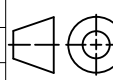


Dimensões em polegada  
Dimensions in inches

THIS IS AN UPDATED REVISION, THE  
PREVIOUS ONE MUST BE DISREGARDED.



Color RAL 5009  
Painting plan 202P  
Mounting B3R(D)

| ECM      | LOC        | SUMMARY OF MODIFICATIONS   | EXECUTED            | CHECKED | RELEASED | DATE | VER |
|----------|------------|--|---------------------|---------|----------|------|-----|
| EXECUTED | USERADMIN  |  THREE PHASE EXPL. PROOF MOTOR NEMA P.EFF<br>FRAME 284T IP55 TEFC<br>WEG code: 11360312 |                     |         |          |      |     |
| CHECKED  |            |  |                     |         |          |      |     |
| RELEASED |            |  |                     |         |          |      |     |
| REL DT   | 24.07.2017 | WMO Jaragua do Sul   | Product Engineering | SHEET   | 1 / 1    |      |     |

25 HP 04 Poles 60Hz

