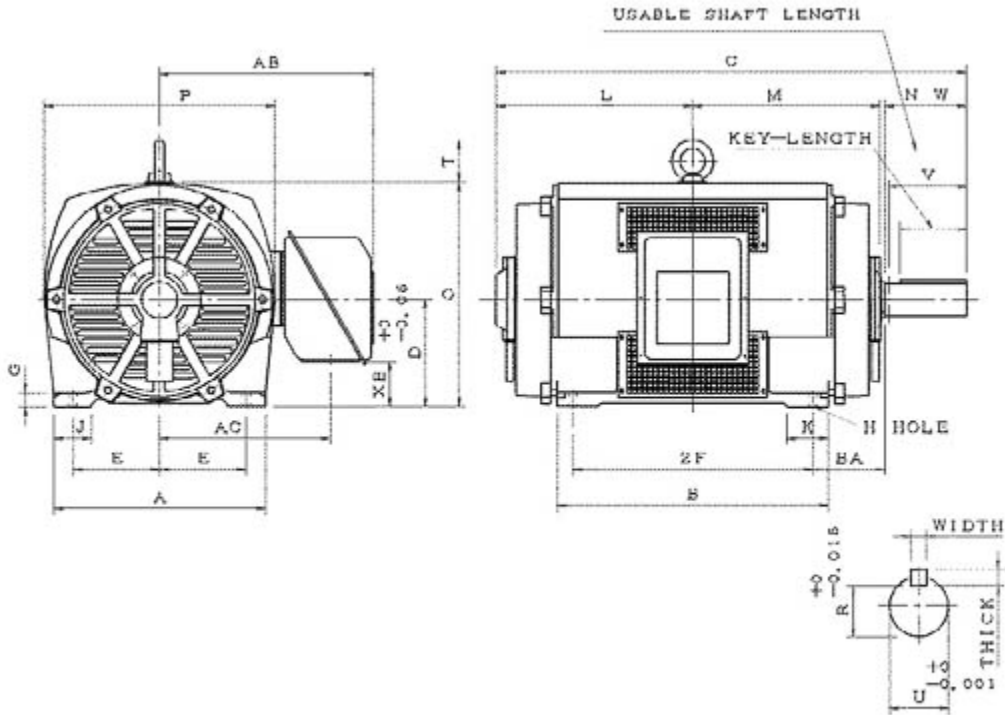


Dimensional Drawing

| | | | | | | | | |
|-----------|-------|-----|------|-------|------------|---------|----|------|
| Catalogue | Model | HP | Pole | kW | Rating | Voltage | Hz | RPM |
| SDP25045 | ASHH | 250 | 4 | 186.5 | Continuous | 575 V | 60 | 1800 |



ASHH-HMP-1 1 0

| Frame Size | Mounting | | | | | A | B | C | CD | D | |
|------------------|----------|------|----------|---------|--------------------|-------------|------------|-------|------------------------------|------------|---------|
| | E | 2F | 2F2 | H | BA | | | | | | |
| 447T | 9 | 20 | | 0.81 | 7.5 | 22.05 | 23.25 | 43.95 | | 11 | |
| G | J | K | L | M | O | P | T | Key | | | Keyseat |
| 1.4 | 3.95 | 4.35 | 17.95 | 17.35 | 23.15 | 24 | 4.35 | Width | Thick | Length | R |
| | | | | | | | | 0.875 | 0.875 | 6.91 | 2.88 |
| Terminal Housing | | | | Aux Box | | C/D Flange | | | | | |
| AA | AB | AC | XB | AE | AX | BB | AH | AK | BD | AJ | BF |
| | 22.25 | 17.7 | 4.65 | | | | | | | | |
| Shaft Extension | | | Bearings | | Approx. Weight Lbs | SPL dBA/3ft | Ins. Class | S.F. | Drive Method | Dimensions | |
| N-W | U | V | DE | NDE | | | | | | | |
| 8.5 | 3.375 | 8 | 6320 | 6318 | 1760 | 82 | F | 1.15 | Direct Coupling / Belt Drive | Inches | |

Technical Data Sheet

Motor Type: ASHH

Catalogue No: SDP25045

Nameplate Information

| | | | | | | |
|-----------|------------|----------------|-------------|-------------|--------------|----------------|
| HP | Pole | RPM | Frame | Voltage | Hz | Phase |
| 250 | 4 | 1782 | 447T | 575 | 60 | 3 |
| Enclosure | Ins. Class | Service Factor | Time Rating | NEMA Design | Rated Amb. | Rated Altitude |
| ODP | F | 1.15 | Continuous | B | -40 to 40 °C | <3300 ft |

Typical Performance

| Efficiency (%) | | | | Power Factor (%) | | |
|-------------------|-----------------------------|---------------------------------|--------------------------------------|---------------------|-----------|--------------------------------|
| Full Load | | 3/4 Load | 1/2 Load | Full Load | 3/4 Load | 1/2 Load |
| Nom. | Min. | | | | | |
| 95.8 | 95.0 | 95.4 | 94.5 | 87.0 | 83.5 | 80.5 |
| Torque | | | | Current (A) | | |
| Full Load (lb-ft) | Locked Rotor (% FLT) | Pull Up (% FLT) | Break Down (% FLT) | No Load | Full Load | Locked Rotor |
| 737.00 | 125 | 105 | 205 | 70.7 | 224.8 | 1460 |
| NEMA KVA Code | Inertia (WR ²) | | | Safe Stall Time (s) | | Noise Level Sound Press. dB(A) |
| | Rotor (lb-ft ²) | NEMA Load (lb-ft ²) | Max. Allowable (lb-ft ²) | Cold | Hot | |
| G | 65.000 | 1017 | 2034 | 18 | 12 | 82 |

VFD Duty Information

| Speed Range | | | VFD | | S.F. |
|-----------------|-----------------|----------------|---------|--------------|----------|
| Constant Torque | Variable Torque | Constant Power | Carrier | Type | |
| 6-60Hz | 3-60Hz | 60-120Hz | ≤ 5 kHz | VPWM or CPWM | 1.0 Only |

Additional Information

| Bearings | | Approx. Weight |
|----------|------|----------------|
| DE | NDE | lbs |
| 6320 | 6318 | 1760 |

Hazardous Locations Information

| | |
|----------------------------|-------|
| N/A | |
| 0 | |
| 0 | |
| Temp Code (Sinewave / VFD) | 0 / 0 |