

Product Information Packet

January 12, 2017

Data shown is for the current revision model #. Ensure your nameplate model # matches.

Model Number:	5KS256CAA305B
Catalog Number:	E9686
Instruction Manual:	GEI-56128
Connection Diagram:	GEM2034E-FIG3
Outline Drawing:	4002B5825RAP5201

Accessory Connection Diagrams			
Bearing Thermocouple:	None	Heater:	None
RTD:	None	Thermistor:	None
Thermostat:	3027JE-2A	Winding Thermocouple:	None
Bearing RTD:	None		

Table of Contents	
Specification	01
Performance Characteristics	02
Outline Drawing	03
Connection Drawing(s)	04

Marks:

MODEL NUMBER:	5KS256CAA305B	Estimated Weight:	350 Lbs
Outline Drawing:	4002B5825RAP5201	Time Rating:	CONT
Connection Diagram:	GEM2034E-FIG3	Enclosure:	TEFC
Instruction Book:	GEI-56128	Encl Construction:	XP
Design Code:	25BD3063A	Ambient Max(°C):	40
Type:	KS	Alt Ambient Max(°C):	--
Frame:	256T	Insulation Class:	F
Phases:	3	NEMA Design:	B
Poles:	6	Nominal Efficiency:	91 %
Output Power:	10HP 7.4KW	Guaranteed Efficiency:	89.5
RPM:	1170	3/4 Load Efficiency:	91.7
Voltage:	230/460	KVA Code:	H
Hertz:	60	Max KVAR:	4.1
Amps - FL:	25.8/12.9	Power Factor:	79.5
Service Factor:	1.00	Bearing - DE:	6309ZC3
Alt Service Factor:	--	Bearing - ODE:	6309ZC3

Enclosure is Totally Enclosed Fan-Cooled

Stamped Nameplate Notes:

EXPLOSION PROOF MOTOR
TEMP CODE T3C
THERMOSTAT LEADS TB1-TB2
STAMP NP249A5571AD "CL I (C & D) CL II (F & G)"

Additional Information:

6P - T EXTN
STANDARD FLOOR MOUNT
C/BOX 127 CU IN-1.25 NPT
F1 CONDUIT BOX MOUNTING
AUX LEADS EXIT WITH MOTOR LEADS
CL I C & D CL II F & G EXPLOSION PROOF MOTOR

Performance Characteristics

1st Winding 1st Connection

Design: 25BD3063A

Marks:

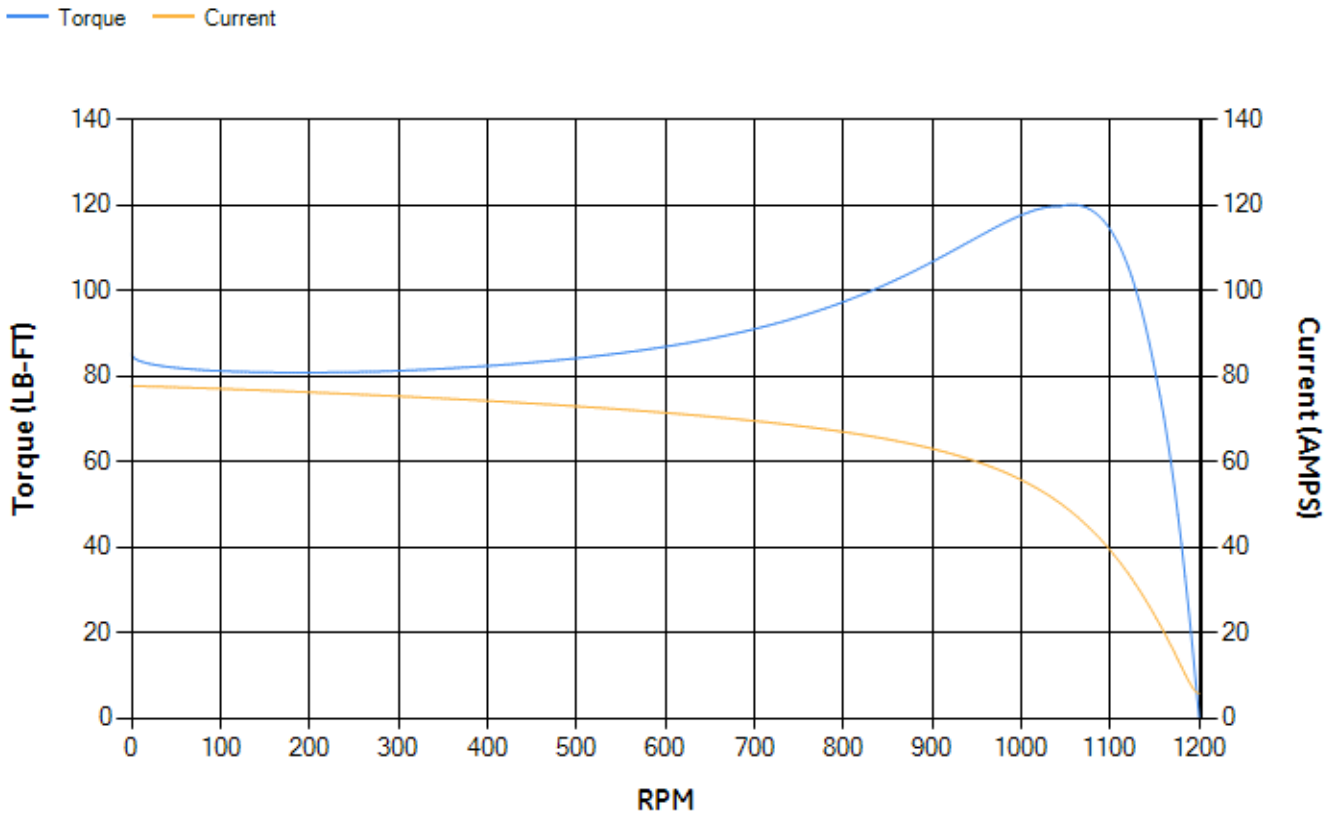
LOAD %	125.0	115.0	100.0	75.0	50.0	25.0	0.0
% EFF	89.75	90.3	91.18	91.66	91.33	87.63	0.00
% PF	81.95	81.27	79.63	74.38	63.47	41.59	4.86
AMPS	15.91	14.67	12.89	10.3	8.07	6.42	5.64

TORQ(FL)#FT	44.79	TORQ(LR)%FL	189.85	TORQ(BD)%FL	265.89
AMPS(LR)	77.66	PF AT START	0.4		

This motor is capable of two cold or one hot start with a maximum connected load inertia of 1008 Lb-Ft Sq (42.44 Kg-meter Sq)at 100% voltage, where the load torque varies with the square of the speed. Acceleration time with maximum inertia and the above load type is 51 seconds. Safe stall time at 100% voltage is 112 seconds cold, 76 seconds hot. Rotor inertia is 2.01 Lb-Ft Sq (0.08 Kg-meter Sq).

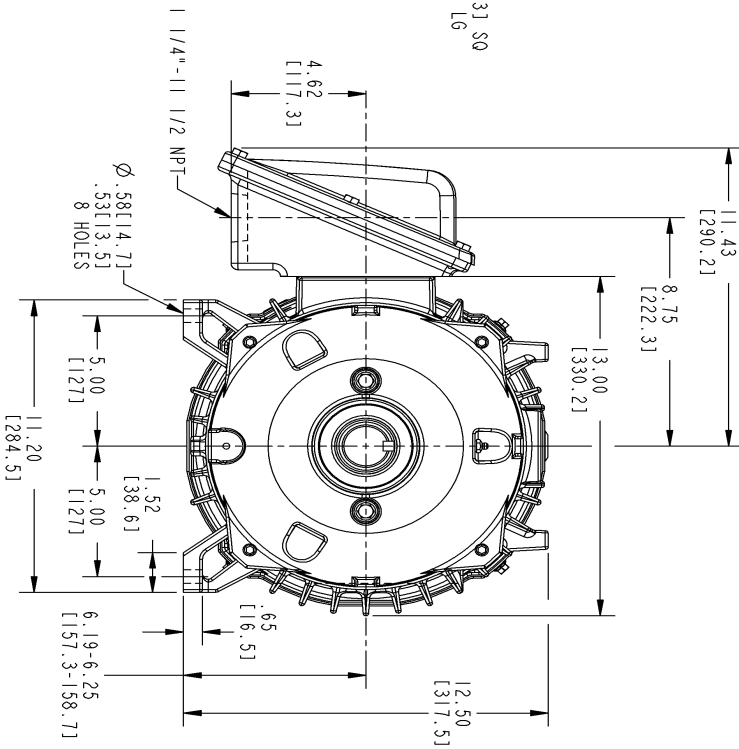
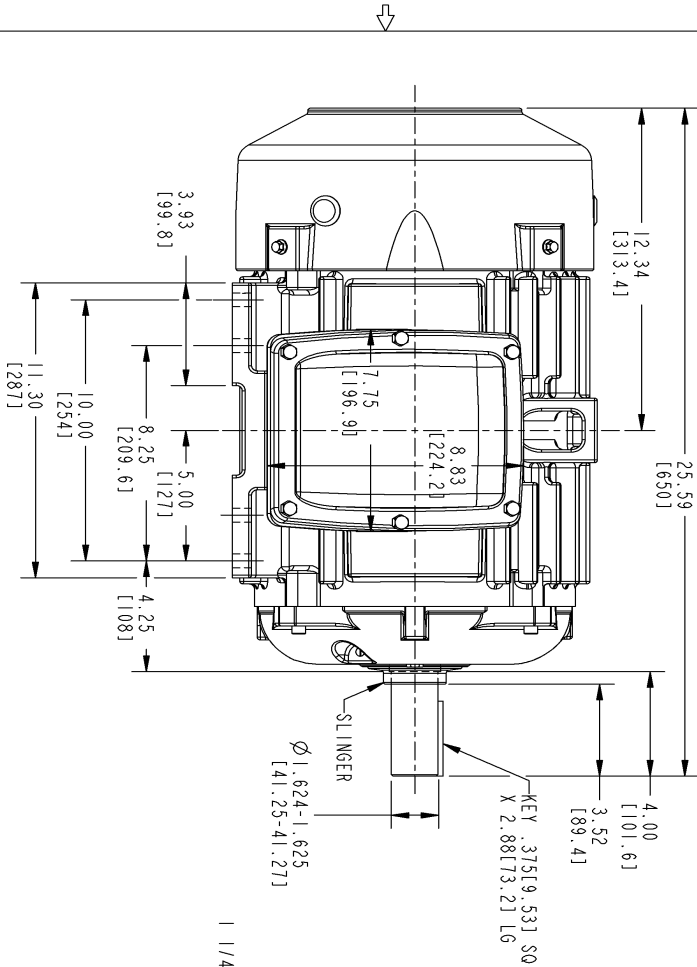
Open Circuit A-C:	0.25	Short Circuit D-C:	0.012
Short Circuit A-C:	0.016	X/R Ratio:	4.347
Stator Slots:	54	Rotor Slots:	42

Speed Torque Current Curve (First Connection, First Speed)



Marks:

NOTE 1: CONDUIT BOX MAY BE ASSEMBLED WITH ENTRANCE UP, DOWN OR TO EITHER SIDE.
 NOTE 2: F1 ASSEMBLY AS SHOWN. F2 ASSEMBLY CONDUIT BOX ON OPPOSITE SIDE FROM SHOWN LOCATION.

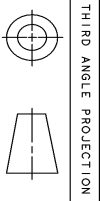


REV.	DESCRIPTION	DATE	APPROVED	
1	DUAL DIMENSION ADDED	SMITHUN	11/23/07	HEMANTH

SIZE DRAWING NO. 4002B5825RAP5201

SH 1 REV

REVISIONS



THIRD ANGLE PROJECTION

SIGNATURES	DATE
DRWN: GARY WARRNER	JUN 21/02
CHECKED: GARY WARRNER	JUN 21/02
ENGR: GARY WARRNER	JUL 04/02

GE Industrial Systems
GENERAL ELECTRIC COMPANY
 Fort Wayne, Indiana

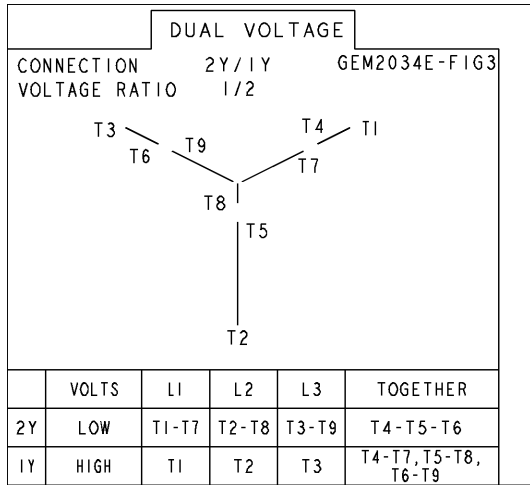
INDUCTION MOTOR OUTLINE
 STANDARD CONSTRUCTION
 FME: FR250T FCXR XSD ULTRA

SIZE DRAWING	SCALE:	REF. NO.:	SHEET	REV.
B	0.250	4002B5825RAP5201	1 OF 1	1

DISTRIBUTION: PMP-18K15

Marks:

Connection Diagram
GEM2034E-FIG3



Thermostat Connection
3027JE-2A

