

No reproduction of this drawing is allowed without written permission of WEG Motores

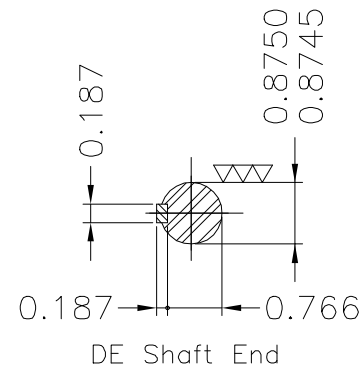
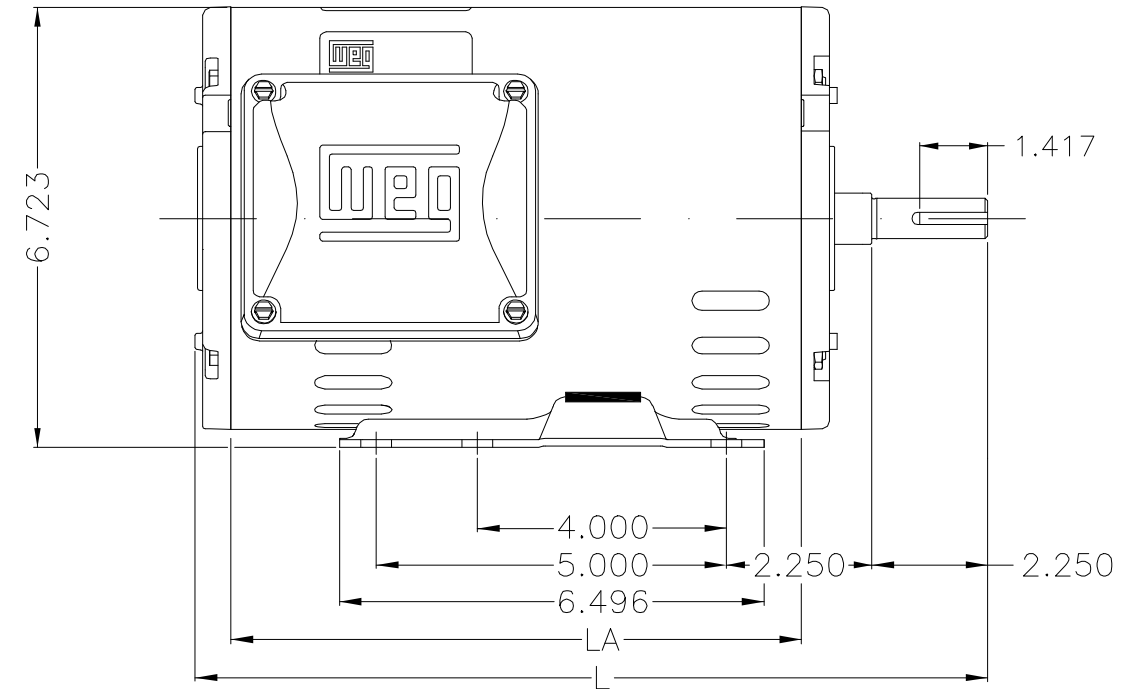
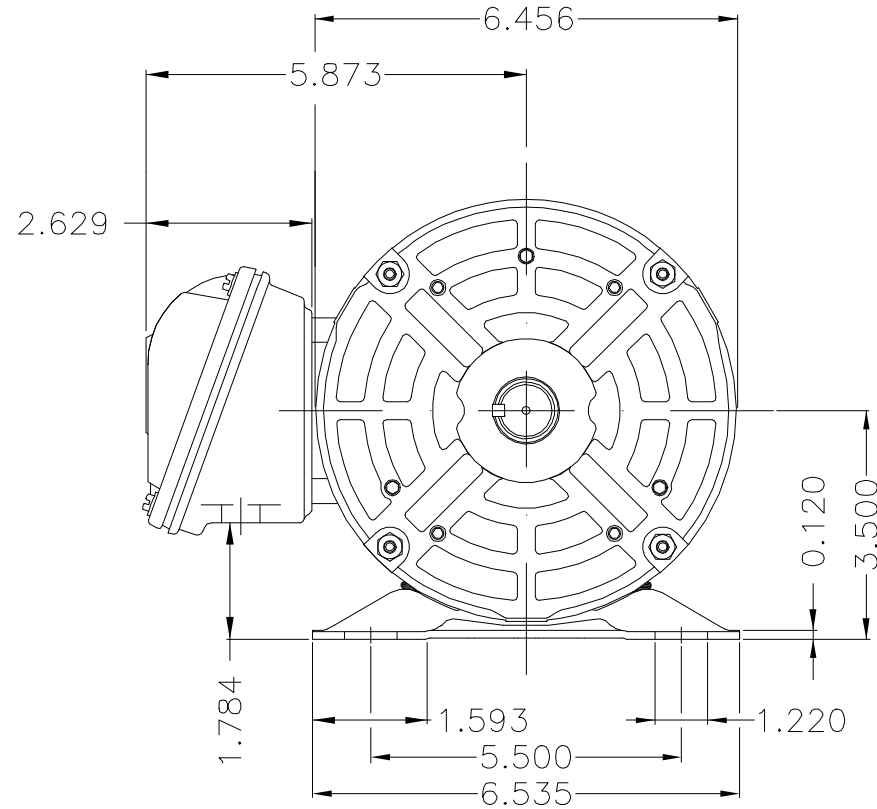
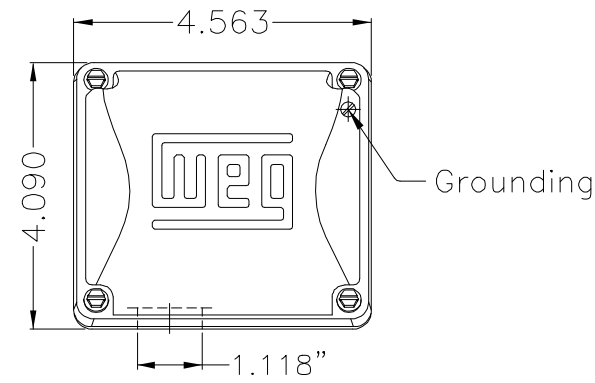
| EIXO     |   |
|----------|---|
| PADRÃO   | X |
| OPCIONAL |   |
| ESPECIAL |   |

Dimensões em polegadas  
Dimensions in inches

**CERTIFIED WEG MOTORES**

Certified document.  
Not subject to changes.

THIS IS AN UPDATED REVISION, THE PREVIOUS ONE MUST BE DISREGARDED.



Reforçar o pé com 2 pontos de solda mig / Supplied with reinforced weld on foot  
Plano de pintura 207N / Painting plan 207N  
Forma construtiva B3D / Mounting B3R(D)

**WEG ELECTRIC CORP.**

|                  |            |   |                       |                       |                      |              |
|------------------|------------|---|-----------------------|-----------------------|----------------------|--------------|
| 500000879750     |            | ATUALIZADO FORMA CONSTRUTIVA  | ODORIZZI              | DALTONR               | 14.04.2014           | 01           |
| 500000844378     |            | DOCUMENTO NOVO  | EDUARDOC1             | JTOGNERI              | 15.01.2014           | 00           |
| ECM<br>ECM       | LOC<br>LOC | RESUMO MODIFICAÇÃO<br>SUMMARY OF MODIFICATIONS  | EXECUTADO<br>EXECUTED | VERIFICADO<br>CHECKED | LIBERADO<br>RELEASED | DATA<br>DATE |
| EXEC. /EXECUTED  | EDUARDOC1  | THREE PHASE ODP ROLLED STEEL NEMA PREM.<br>FRAME 143/5T IP21 (ODP)<br>COMPRESSOR DUTY | 10002657523           |                       |                      |              |
| VERIF. /CHECKED  |            |   | 000                   | 01                    |                      |              |
| LIBER. /RELEASED | JTOGNERI   |   |                       |                       |                      |              |
| DATA LB /REL DT  | 15.01.2014 | WMO   | JARAGUA DO SUL        | ENGENHARIA DE PRODUTO | FOLHA/SHEET          | 1 / 1        |

|        | LA    | L      |   |
|--------|-------|--------|---|
| 2 HP   | 7.874 | 11.575 | C |
| 1.5 HP | 8.661 | 12.362 | B |
| 1 HP   | 7.480 | 11.181 | A |

A  
B  
C  
D  
E

UNCONTROLLED COPY

RELEASED

ZME A3