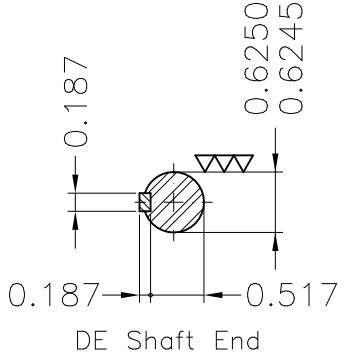
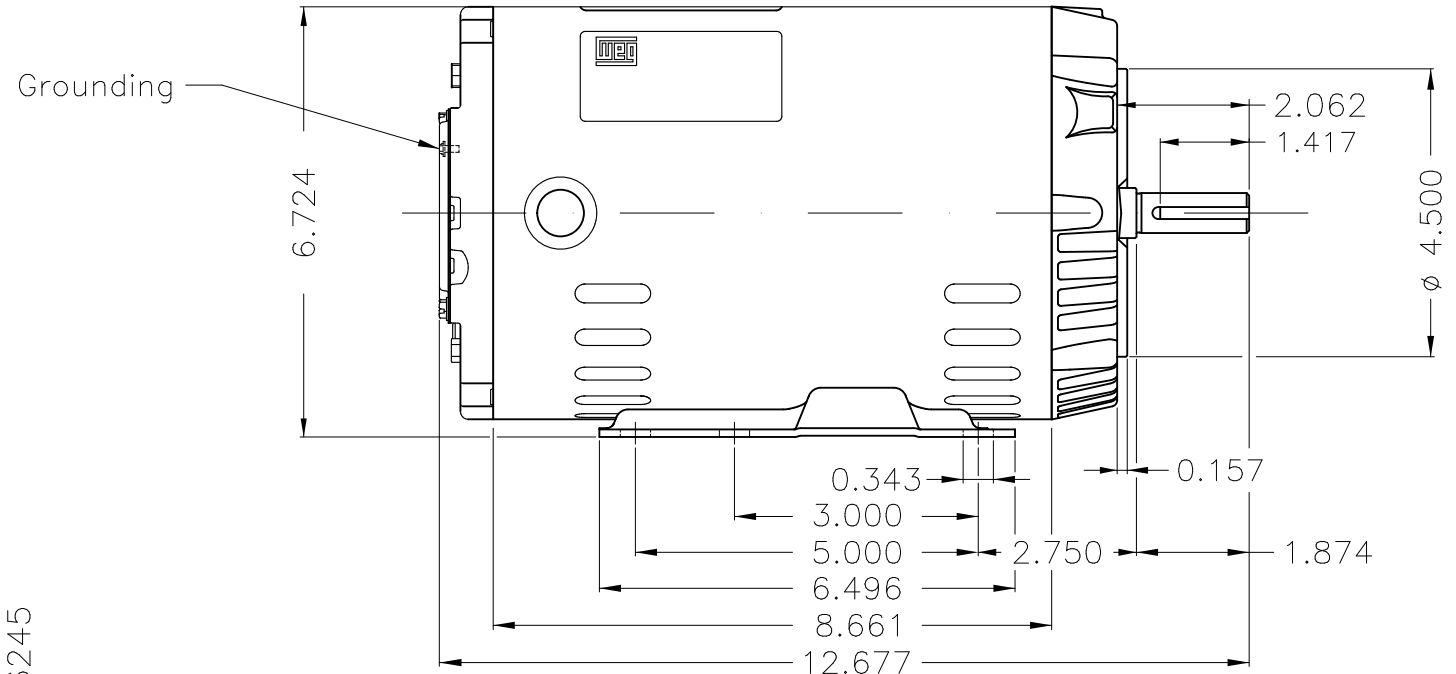
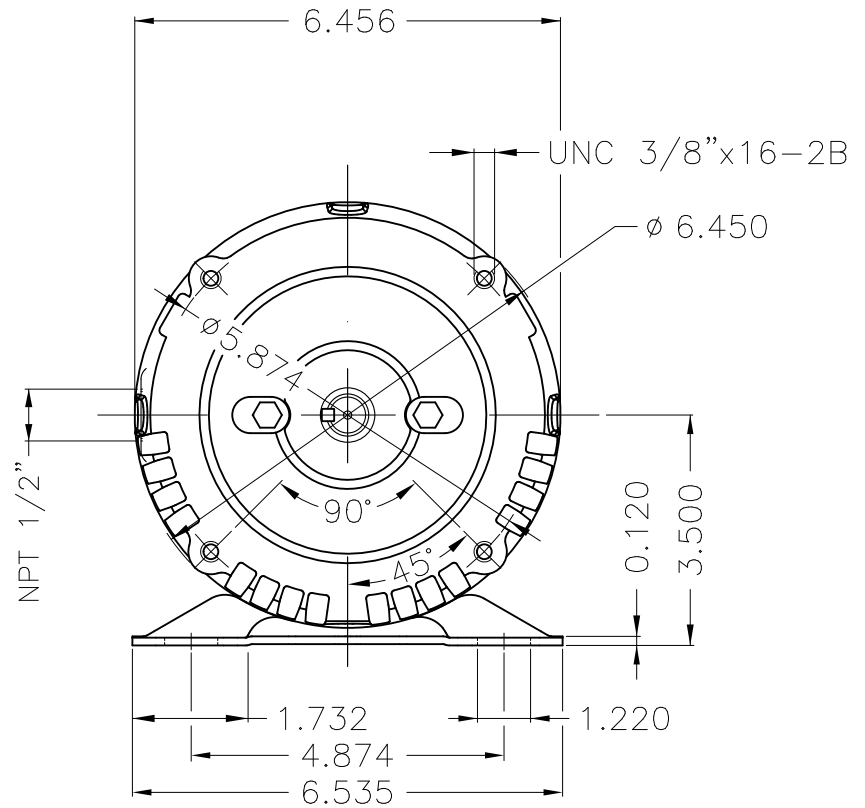


Dimensões em polegada
Dimensions in inches

THIS IS AN UPDATED REVISION, THE
PREVIOUS ONE MUST BE DISREGARDED.



| | | | | | | | | | |
|----------------------|------------|---|----------------|---------------------|----------|---------|----------|------|-----|
| Without coating | | | | | | | | | |
| Mounting F-1/B34R(D) | | | | | | | | | |
| | | | | | | | | | |
| ECM | LOC | SUMMARY OF MODIFICATIONS | | | EXECUTED | CHECKED | RELEASED | DATE | VER |
| EXECUTED | USERADMIN | THREE PHASE ODP ROLLED STEEL PREM. EFF. | | | | | | | |
| CHECKED | | FRAME 56HC ODP | | | | | | | |
| RELEASED | | WEG code: 12809251 | | | | | | | |
| REL DT | 24.07.2017 | WMO | Jaragua do Sul | Product Engineering | SHEET | 1 / 1 | | | |

0.75 HP 06 Poles 60Hz

A

