

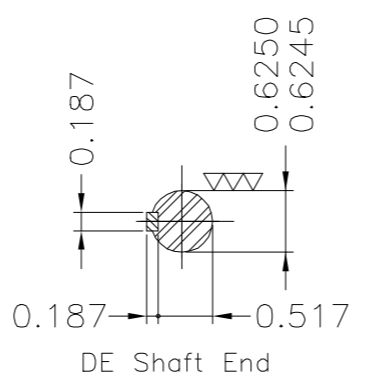
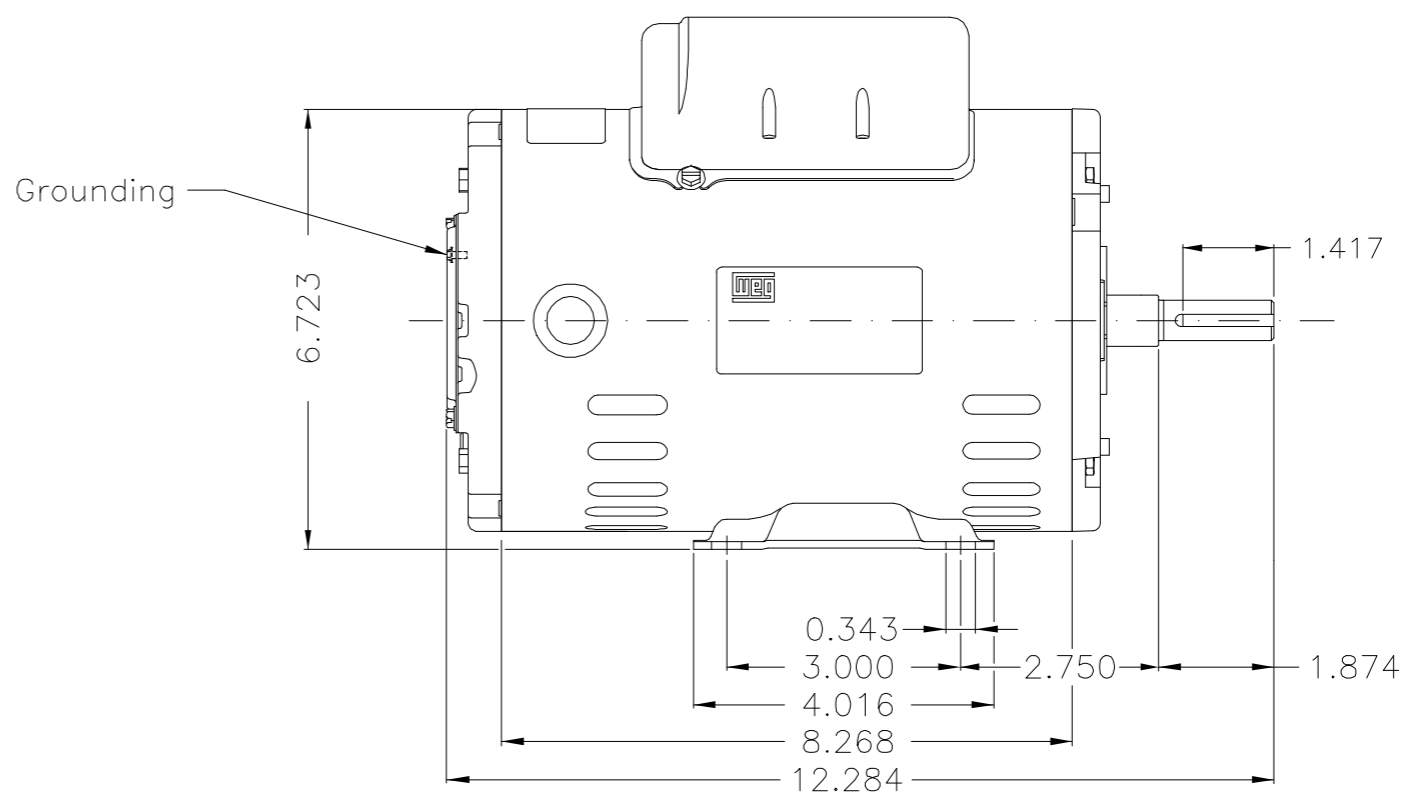
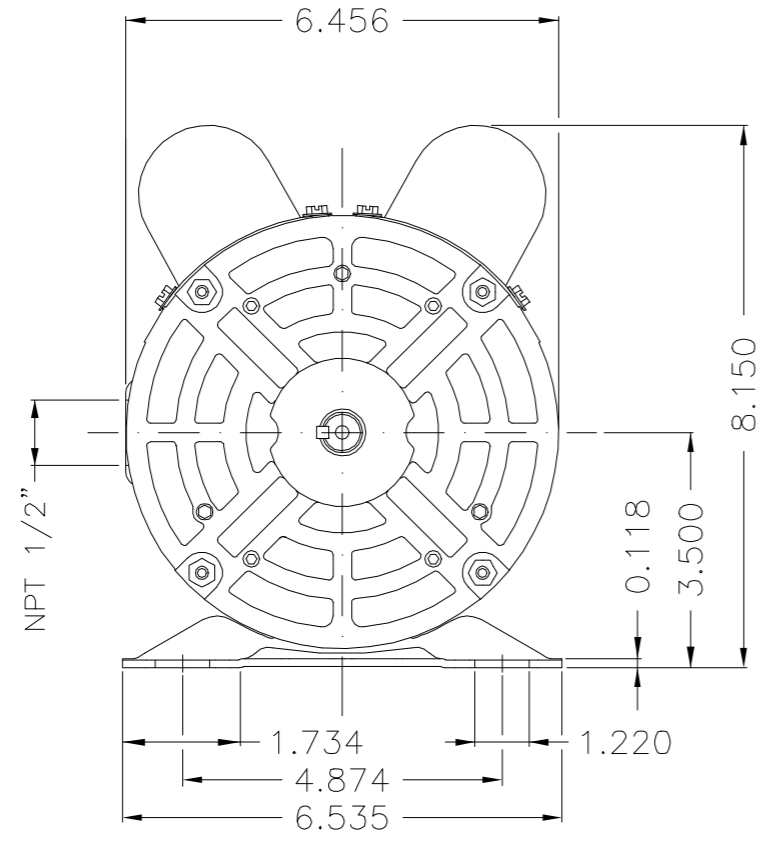
EIXO/SHAFT	
PADRÃO/STANDARD	X
OPCIONAL/OPTIONAL	
ESPECIAL/SPECIAL	

Dimensões em polegadas  
Dimensions in inches

**CERTIFIED WEG MOTORES**  
Certified document.  
Not subject to changes.

THIS IS AN UPDATED REVISION, THE PREVIOUS ONE MUST BE DISREGARDED.

A  
B  
C  
D  
E



Sentido de rotação ambos / Rotation CW and CCW

Forma construtiva B3D / Mounting B3R(D)

**WEG ELECTRIC CORP.**

500001023917	DOCUMENTO NOVO	PATRICKL	EMERSONRH	13.04.2015	00			
ECM	LOC	SUMMARY OF MODIFICATIONS		EXECUTED	CHECKED	RELEASED	DATE	VER
EXECUTED	PATRICKL	SINGLE PHASE ODP ROLLED STEEL PREM. EFF.						
CHECKED		FRAME 56 IP21						
RELEASED	EMERSONRH							
REL DT	13.04.2015	WMO	JARAGUA DO SUL	ENGENHARIA DE PRODUTO	10003503197	000	00	
				SHEET		1 / 1		

1.5 HP 02 Poles 60Hz 413816209



UNCONTROLLED COPY  
RELEASED  
ZME A3