

DATE
Sept. 13, 2005
CAT. #: HB0024

OUTLINE DIMENSIONS

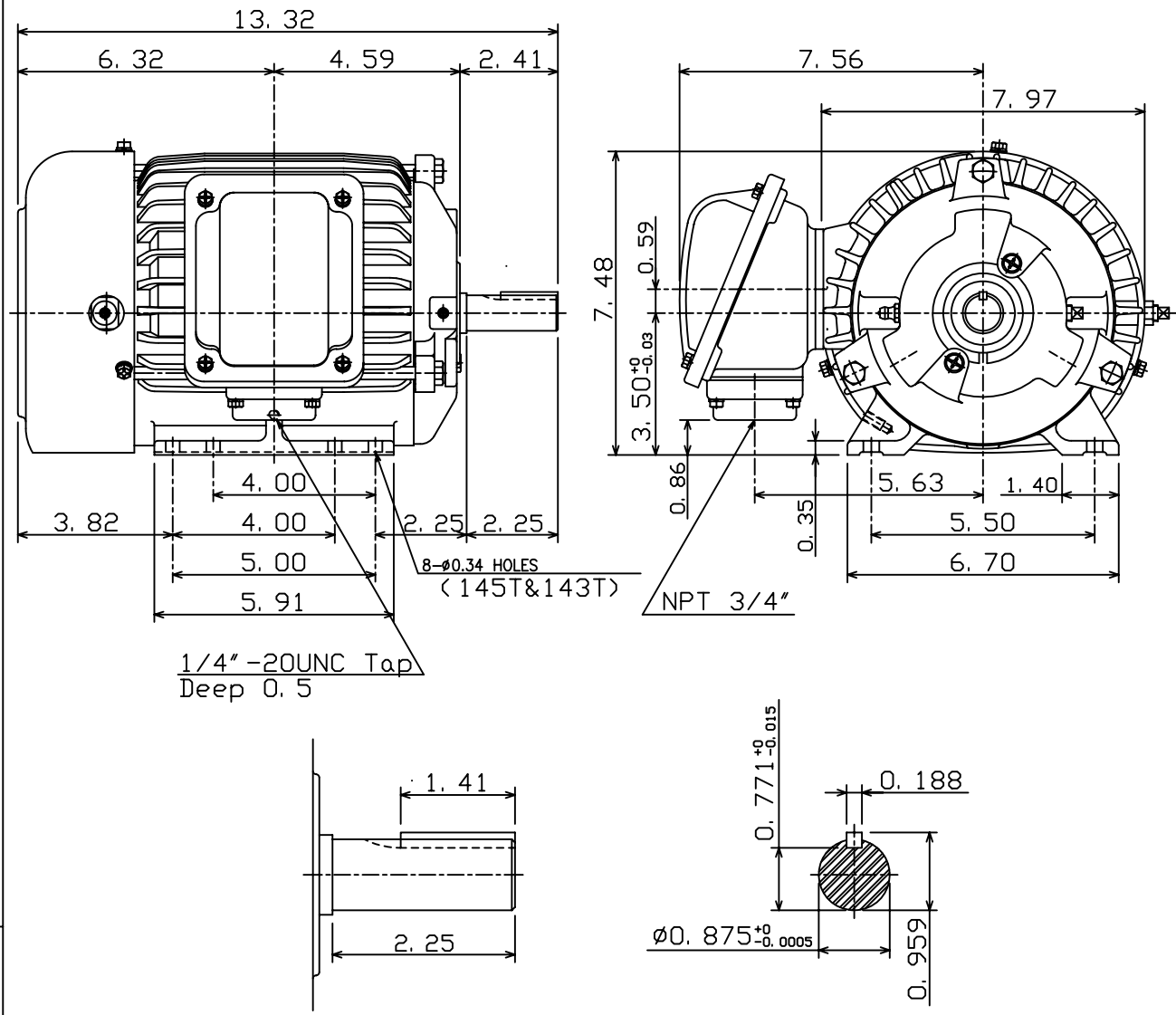
3-PHASE INDUCTION MOTOR

MOTOR TYPE:
AEHH8B
FRAME NO. 145T

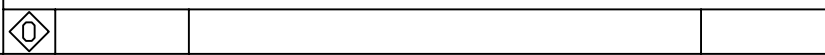
Pole	HP	kW	Hz	VOLT	Syn. Speed r/min(rpm)
4	2	1.5	60	460	1800

Ins	Rating	Dimension in	Approx Weight	Bearings
F	CONT.	inches	62 lbs.	DE: 6205ZC35C NDE: 6205ZC35C

Totally Enclosed Fan-Cooled Type, Squirrel-Cage Rotor.



Note:
1. Motor Vibration: 7.5 μ .
2. Both End With Inpro/Seal.



DWN.	C. S. LO	12-22-04
CHKD.	C. S. LO	12-27-04
APPD.	M. C. TSAI	12-27-04



DWG NO.
31049U591020