

# Product Information Packet

January 12, 2017

Data shown is for the current revision model #. Ensure your nameplate model # matches.

<b>Model Number:</b>	<b>5KS286CAA305D2</b>
<b>Catalog Number:</b>	<b>E9683</b>
<b>Instruction Manual:</b>	GEI-56128
<b>Connection Diagram:</b>	GEM2034E-FIG9
<b>Outline Drawing:</b>	4002B5828RAP5201

Accessory Connection Diagrams			
<b>Bearing Thermocouple:</b>	None	<b>Heater:</b>	None
<b>RTD:</b>	None	<b>Thermistor:</b>	None
<b>Thermostat:</b>	3027JE-2A	<b>Winding Thermocouple:</b>	None
<b>Bearing RTD:</b>	None		

Table of Contents	
Specification	01
Performance Characteristics	02
Outline Drawing	03
Connection Drawing(s)	04



**Marks:**

<b>MODEL NUMBER:</b>	<b>5KS286CAA305D2</b>	<b>Estimated Weight:</b>	510 Lbs
<b>Outline Drawing:</b>	4002B5828RAP5201	<b>Time Rating:</b>	CONT
<b>Connection Diagram:</b>	GEM2034E-FIG9	<b>Enclosure:</b>	TEFC
<b>Instruction Book:</b>	GEI-56128	<b>Encl Construction:</b>	XP
<b>Design Code:</b>	28BD3094A	<b>Ambient Max(°C):</b>	40
<b>Type:</b>	KS	<b>Alt Ambient Max(°C):</b>	--
<b>Frame:</b>	286T	<b>Insulation Class:</b>	F
<b>Phases:</b>	3	<b>NEMA Design:</b>	B
<b>Poles:</b>	6	<b>Nominal Efficiency:</b>	91.7 %
<b>Output Power:</b>	20HP 14.8KW	<b>Guaranteed Efficiency:</b>	90.2
<b>RPM:</b>	1180	<b>3/4 Load Efficiency:</b>	92.4
<b>Voltage:</b>	230/460	<b>KVA Code:</b>	G
<b>Hertz:</b>	60	<b>Max KVAR:</b>	8.6
<b>Amps - FL:</b>	52.4/26.2	<b>Power Factor:</b>	78.0
<b>Service Factor:</b>	1.00	<b>Bearing - DE:</b>	6310ZC3
<b>Alt Service Factor:</b>	--	<b>Bearing - ODE:</b>	6310ZC3

**Enclosure is Totally Enclosed Fan-Cooled**

---

**Stamped Nameplate Notes:**

EXPLOSION PROOF MOTOR  
TEMP CODE T3C  
THERMOSTAT LEADS TB1-TB2  
STAMP NP249A5571AD "CL I (C & D) CL II (F & G)"

**Additional Information:**

6P - T EXTN  
STANDARD FLOOR MOUNT  
C/BOX 250 CU IN-2.00 NPT  
F1 CONDUIT BOX MOUNTING  
AUX LEADS EXIT WITH MOTOR LEADS  
CL I C & D CL II F & G EXPLOSION PROOF MOTOR

**Performance Characteristics**

1st Winding 1st Connection

**Design: 28BD3094A**

**Marks:**

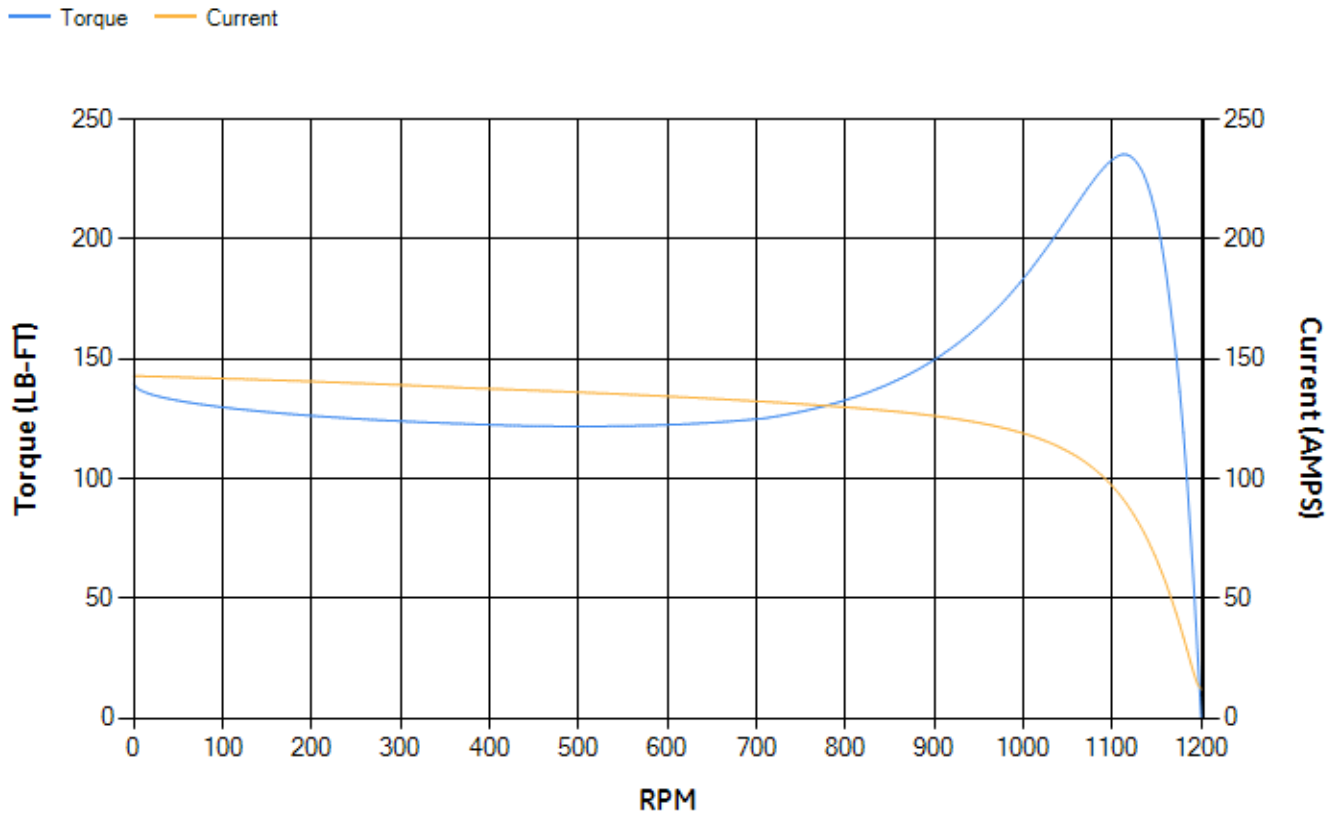
LOAD %	125.0	115.0	100.0	75.0	50.0	25.0	0.0
% EFF	90.77	91.26	92.06	92.43	92.06	88.54	0.00
% PF	80.3	79.62	77.92	72.45	61.19	39.34	4.17
AMPS	32.1	29.63	26.12	20.97	16.61	13.44	12.03

<b>TORQ(FL)#FT</b>	88.9	<b>TORQ(LR)%FL</b>	157.12	<b>TORQ(BD)%FL</b>	264.09
<b>AMPS(LR)</b>	142.83	<b>PF AT START</b>	0.36		

This motor is capable of two cold or one hot start with a maximum connected load inertia of 1029 Lb-Ft Sq (43.32 Kg-meter Sq)at 100% voltage, where the load torque varies with the square of the speed. Acceleration time with maximum inertia and the above load type is 35 seconds. Safe stall time at 100% voltage is 89 seconds cold, 52 seconds hot. Rotor inertia is 6.17 Lb-Ft Sq (0.26 Kg-meter Sq).

<b>Open Circuit A-C:</b>	0.346	<b>Short Circuit D-C:</b>	0.013
<b>Short Circuit A-C:</b>	0.026	<b>X/R Ratio:</b>	4.937
<b>Stator Slots:</b>	54	<b>Rotor Slots:</b>	42

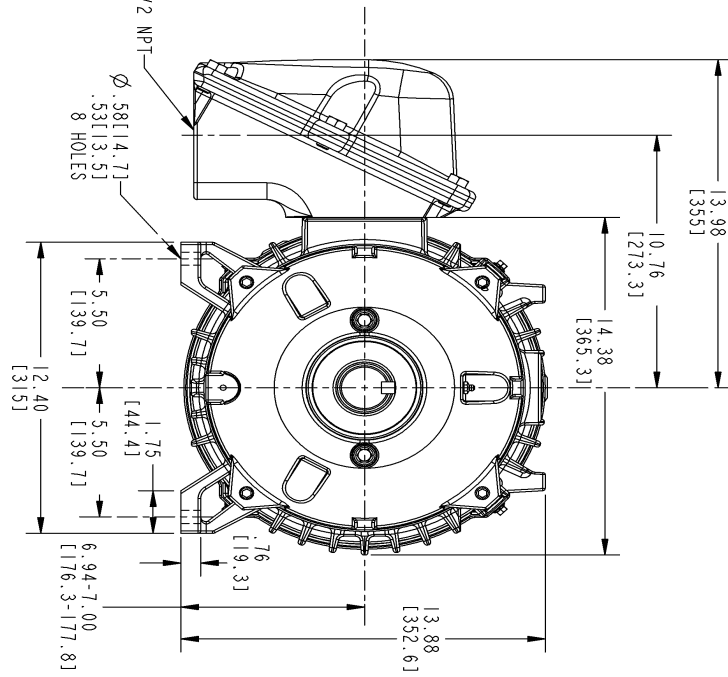
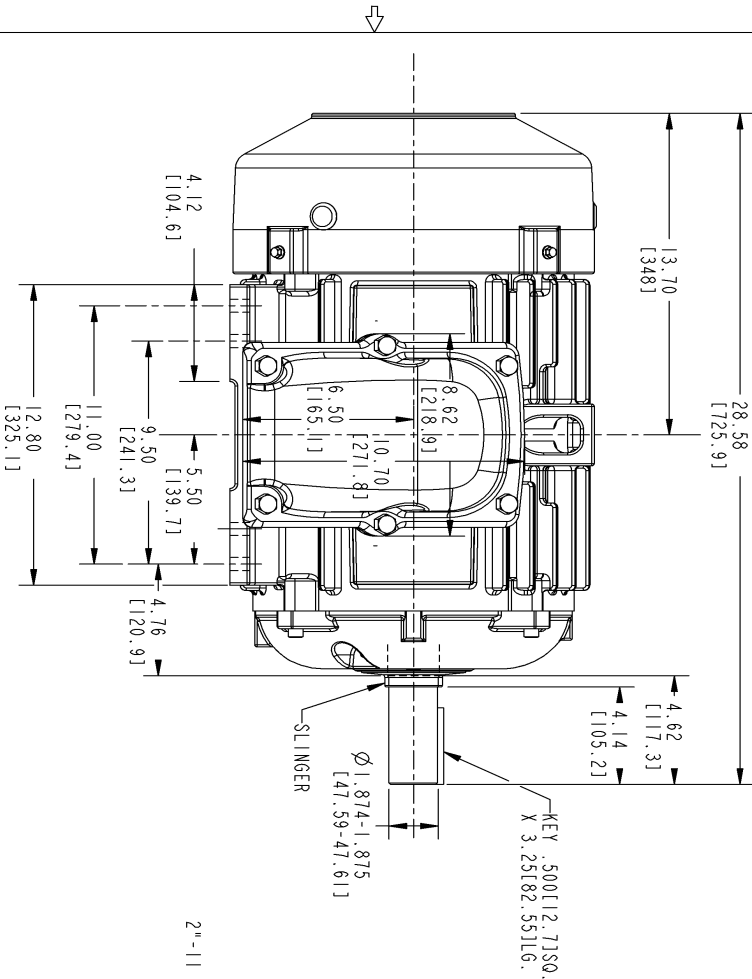
**Speed Torque Current Curve (First Connection, First Speed)**



NAME:320002276 OBJECT:4002B5828RAP5201 DATE:19-Feb-09 13:17:55

Marks:

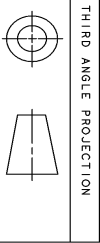
NOTE 1 : CONDUIT BOX MAY BE ASSEMBLED WITH ENTRANCE UP, DOWN OR TO EITHER SIDE.  
 NOTE 2 : F1 ASSEMBLY AS SHOWN. F2 ASSEMBLY CONDUIT BOX ON OPPOSITE SIDE FROM SHOWN LOCATION.



SIZE DRAWING NO. 4002B5828RAP5201

SH 2 REV

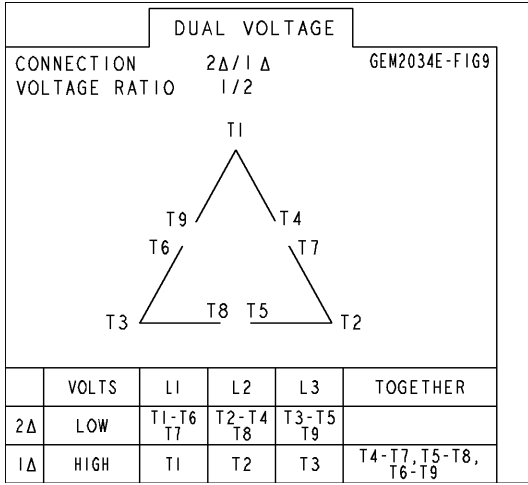
REVISIONS			
REV.	DESCRIPTION	DATE	APPROVED
1	AS PER ISAC-07-1243	09/07/07	ROOPA
2	ISAC NO: #09-0164 ATUL	02/19/09	RAGHUNATH



SIGNATURES	DATE	GE Industrial Systems	GENERAL ELECTRIC COMPANY
DRWN: GARY WARRNER	FEB 19/02		Fort Wayne, Indiana
CHECKED: GARY WARRNER	FEB 21/02		
ENGR: GARY WARRNER	APR 03/02		
ISSUED: GARY WARRNER	APR 03/02		
APPLIED PRACTICES:			
SIZE DRAWING: B	SCALE: 0.225	REF. NO: 4002B5828RAP5201	SHEET 1 OF 1
INDUCTION MOTOR OUTLINE STANDARD CONSTRUCTION FME: FR280T FCXP XSD ULTRA			
4002B5828RAP5201 REV. 2			
DISTRIBUTION: PMP-18K15			

Marks:

**Connection Diagram**  
**GEM2034E-FIG9**



**Thermostat Connection**  
**3027JE-2A**

