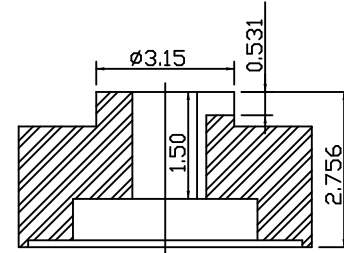
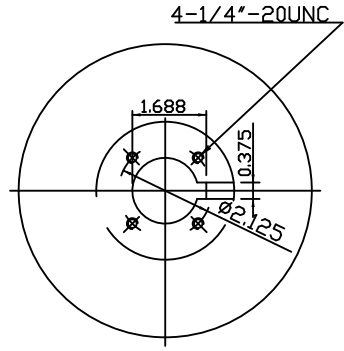
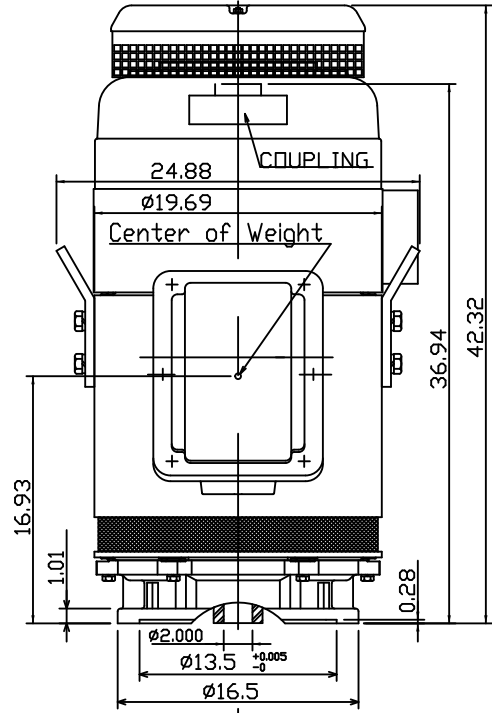


DATE Jan. 14, 2012	OUTLINE DIMENSIONS 3-PHASE INDUCTION MOTOR	MOTOR TYPE: AMRCYC
CAT. #: VHP1254		FRAME NO. 405TP

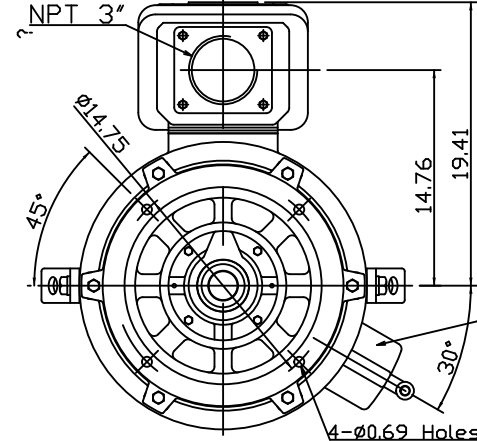
Pole	HP	KW	Hz	VOLT	Syn.Speed r/min(rpm)
4	125	90	60	230/460	1800

Ins	Rating	Dimension in	Approx Weight	Bearings	
F	CONT.	inch	1366 lbs	DE: 6315C3	NDE: 7322B

NEMA Weather Protected TYPE I (WP I) Squirrel-cage Rotor.



Coupling Dimension



- Note:
1. Downthrust: 7900lbs  
L10 - 8800 hours
  2. Rotation: C.C.W  
View from Top
  3. With N.R.R.
  4. Approx Reel  
Frequencies: 48 Hz
  5. Upper Bearing: Oil lube  
Kind of Oil: Turbine Oil  
-300SSU/100°F ISO VG68  
Quantity: 1.06 Gallons

① 12.23.08

DWN.	??????	12 12 08	TECO Westinghouse	DWG NO.	31057H811151
CHKD.	??????	12 23 08			
APPD.	??????	12 23 08			