

DATE  
APRIL 25, 2011

OUTLINE DIMENSIONS  
3-PHASE INDUCTION MOTOR

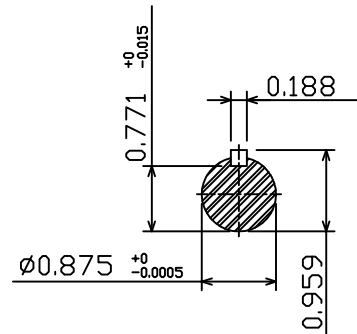
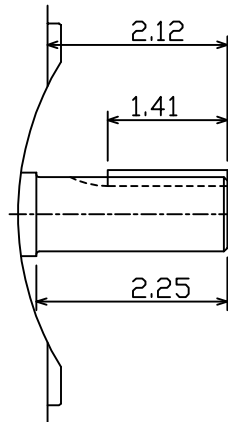
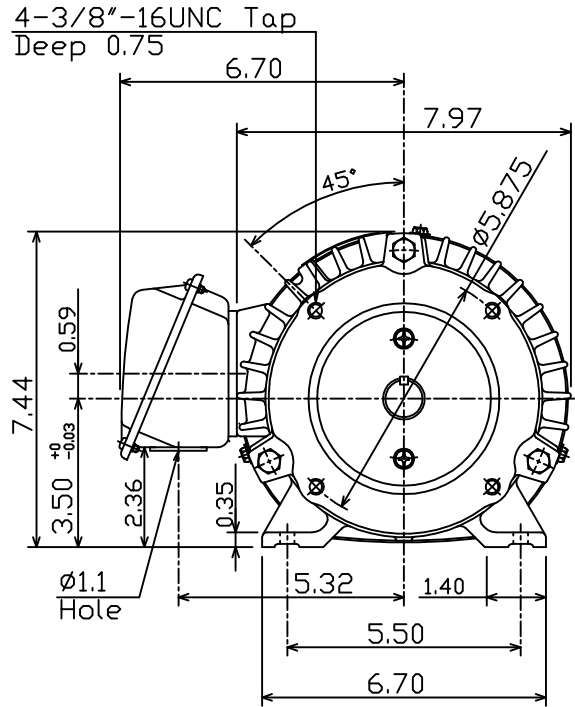
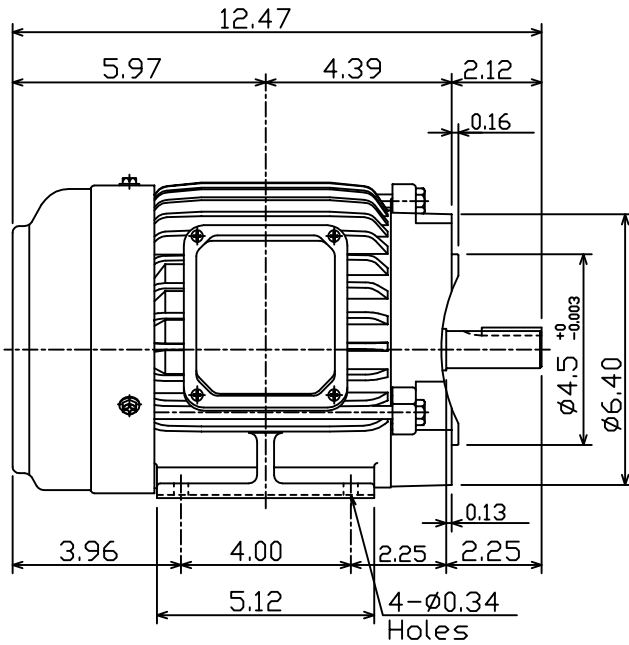
MOTOR TYPE:  
AEHH8P-CF  
FRAME NO. 143TC

CAT. #: NP0014C

Pole	HP	kW	Hz	VOLT	Syn.Speed r/min(rpm)
4	1	0.75	60	230/460	1800

Ins	Rating	Dimension in	Approx Weight	Bearings	
F	CONT.	inches	47 lbs.	DE: 6205ZZ	NDE: 6205ZZ

Totally Enclosed Fan-Cooled Type.Squirrel-Cage Rotor.



DWN.	F.Z.HWANG	07-31-00
CHKD.	C.S.LO	02-11-03
APPD.	Y.B.HUANG	02-11-03

TEC Westinghouse

DWG NO.  
31049D187140