

DATE
MAY 3, 2004
CATALOG NO.
XV0254C

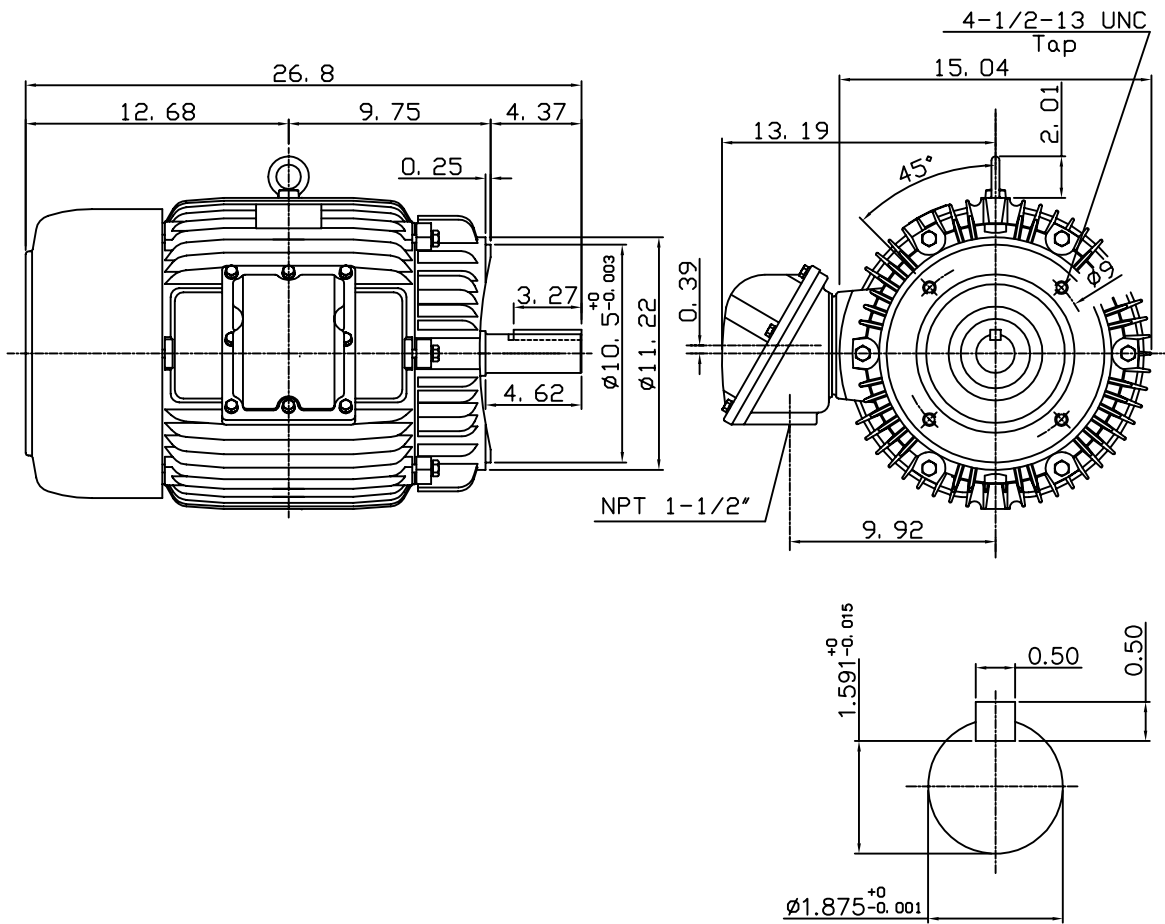
OUTLINE DIMENSIONS
3-PHASE INDUCTION MOTOR

MOTOR TYPE:
AEUHXF
FRAME NO. 284TC

| Pole | HP | KW | Hz | VOLT | Syn. Speed RPM |
|------|----|-------|----|---------|-------------------|
| 4 | 25 | 18.65 | 60 | 230/460 | 1800 |

| Ins | Rating | Dimension in | Approx Weight | Bearings |
|-----|--------|--------------|---------------|------------------------|
| F | CONT. | inches | 512 lbs. | DE: 6311ZZ NDE: 6310ZZ |

Totally Enclosed Fan Cooled Type. Squirrel-cage Rotor.



NOTE:
1. EXPLOSION-PROOF:
CLASS I GROUP D AND
CLASS II GROUP E,F,G.



| | | |
|-------|-------------|----------|
| DWN. | J. H. LIANG | 11-30-98 |
| CHKD. | C. H. KAO | 12-26-98 |
| APPD. | Y. B. HUANG | 12-26-98 |

TEC Westinghouse

DWG NO.
31049U558001