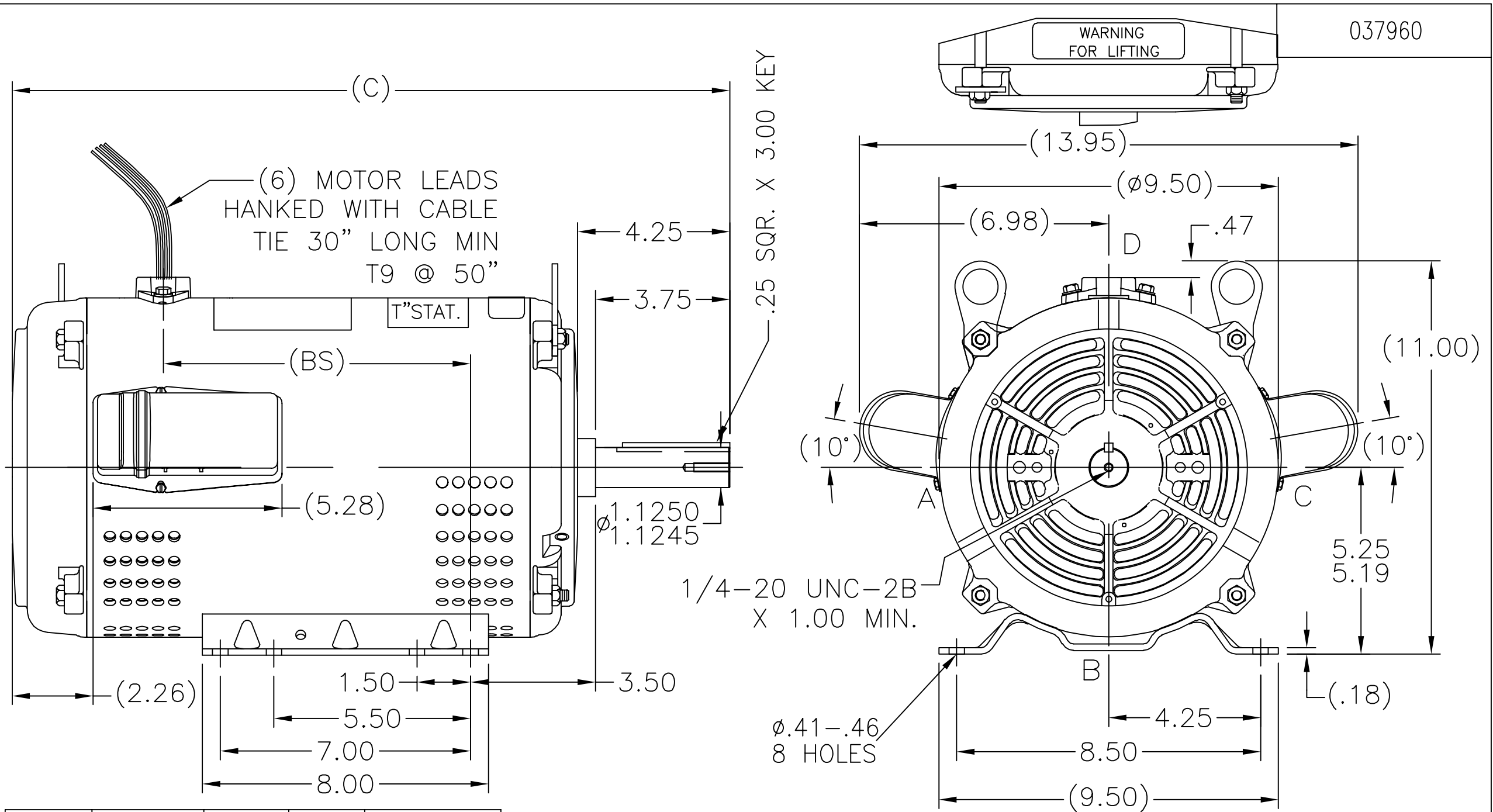



037960



DASH	FR.	C	BS	MOUNTING
1240	213/15T	20.08	8.59	

NOTES:
1. NAMEPLATE TO BE READ FROM 'A' SIDE OF MOTOR.

		TOLERANCES UNLESS SPECIFIED		 ELECTRIC MOTORS GEARMOTORS AND DRIVES	DRAWN LST 9/15/14					
		DEC.	INCHES		CHK					
-	-	.X	±.1	TITLE OUTLINE 210T FR. -BB-SS-DR.PR.-SINGLE PHASE MAT'L. FINISH	APPD	-				
-	-	.XX	±.03		SCALE	1=4				
-	-	.XXX	±.005		REF	-				
A	RELEASED PER ECO-0053334	.XXXX	±.0005		FMF	-				
NO.	REVISION	BY & DATE	CHK	ANG	±7'30"	PREV				
THIS DRAWING IN DESIGN AND DETAIL IS OUR PROPERTY AND MUST NOT BE USED EXCEPT IN CONNECTION WITH OUR WORK ALL RIGHTS OF DESIGN AND INVENTION ARE RESERVED THIS IS AN ELECTRONICALLY GENERATED DOCUMENT - DO NOT SCALE THIS PRINT			RFP	CAD FILE 037699		SIZE	DRAWING NO.	PAGE	OF	REV.
			DIST	LE		A	037960			A