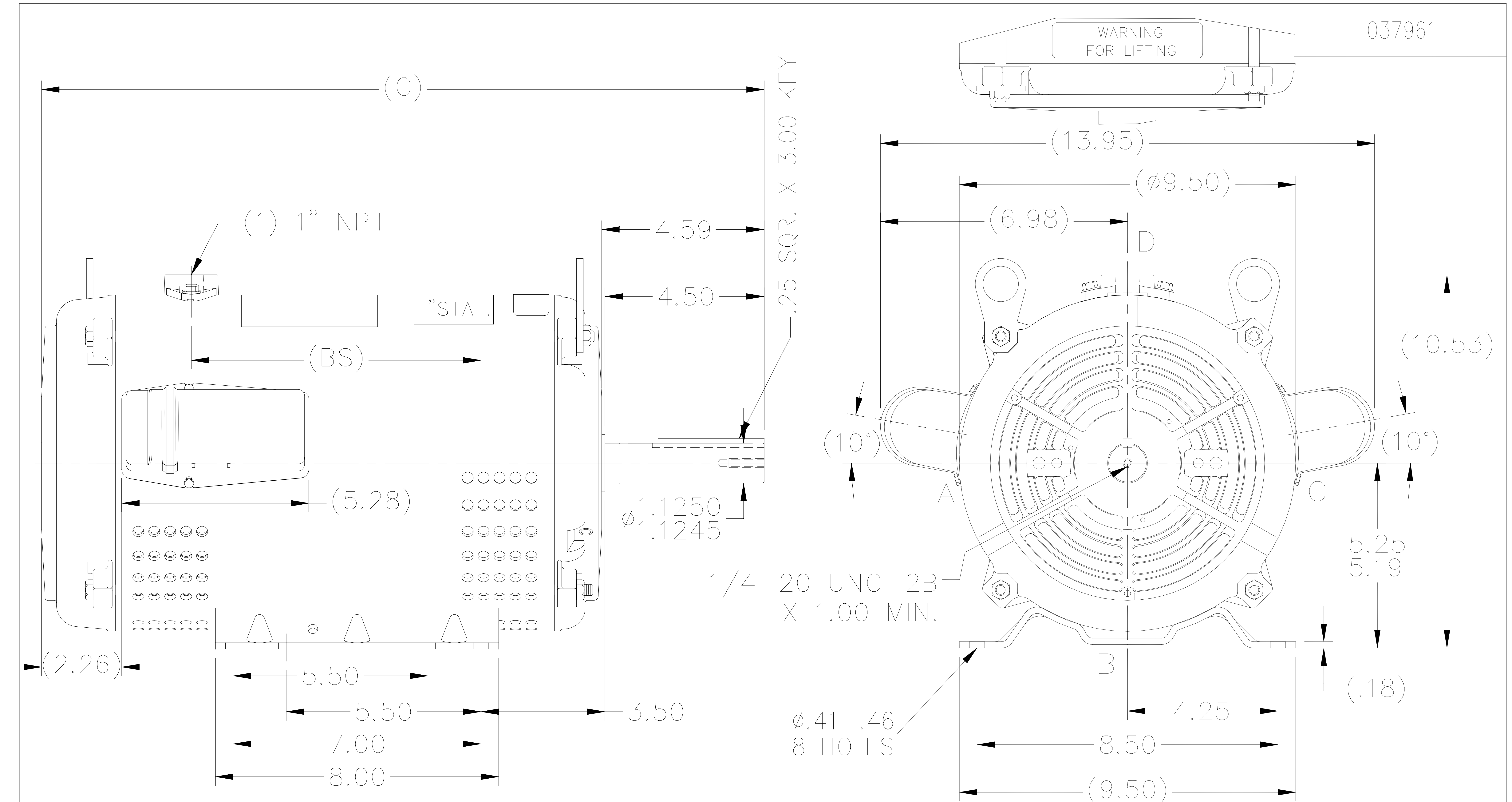


037961



1/4-20 UNC-2B X 1.00 MIN.

ø.41-.46
8 HOLES

| DASH | FR. | C | BS | MOUNTING |
|------|---------|-------|------|----------|
| 1240 | 213/15T | 20.42 | 8.18 | |

NOTES:
 1. NAMEPLATE TO BE READ FROM 'A' SIDE OF MOTOR.
 2. SEE MODEL FOR LEAD LENGTH.

| | |
|--------|----|
| ORACLE | 02 |
| REV | |

| | | | | TOLERANCES UNLESS SPECIFIED | | LEESON | ELECTRIC MOTORS GEARMOTORS AND DRIVES | DRAWN LST 9/15/14 | | | | |
|--|---------------------------------|-----------|----------|-----------------------------|-----------------|-------------------------------------|---|-------------------|-------------|-------|-----|------|
| | | | | DEC. | INCHES | | | CHK | APPD | SCALE | 1=4 | |
| C | ADD LIFTING LUGS ECO-0087439 | LST | 10/20/15 | .XX | ±.03 | TITLE OUTLINE | | REF | - | | | |
| B | 1" NPT WAS 3/4" NPT ECO 0076543 | GWS | 4/24/15 | .XXX | ±.005 | 210T FR. -BB-SS-DR.PR.-SINGLE PHASE | | FMF | - | | | |
| A | RELEASED PER ECO-0053334 | LST | 9/15/14 | .XXXX | ±.0005 | MAT'L. | | PREV | - | | | |
| NO. | REVISION | BY & DATE | CHK | ANG | ±7'30" | FINISH | | | | | | |
| THIS DRAWING IN DESIGN AND DETAIL IS OUR PROPERTY AND MUST NOT BE USED EXCEPT IN CONNECTION WITH OUR WORK ALL RIGHTS OF DESIGN AND INVENTION ARE RESERVED THIS IS AN ELECTRONICALLY GENERATED DOCUMENT - DO NOT SCALE THIS PRINT | | | | RFP | CAD FILE 037699 | | | SIZE | DRAWING NO. | PAGE | OF | REV. |
| | | | | DIST | LE | | | A | 037961 | | | C |