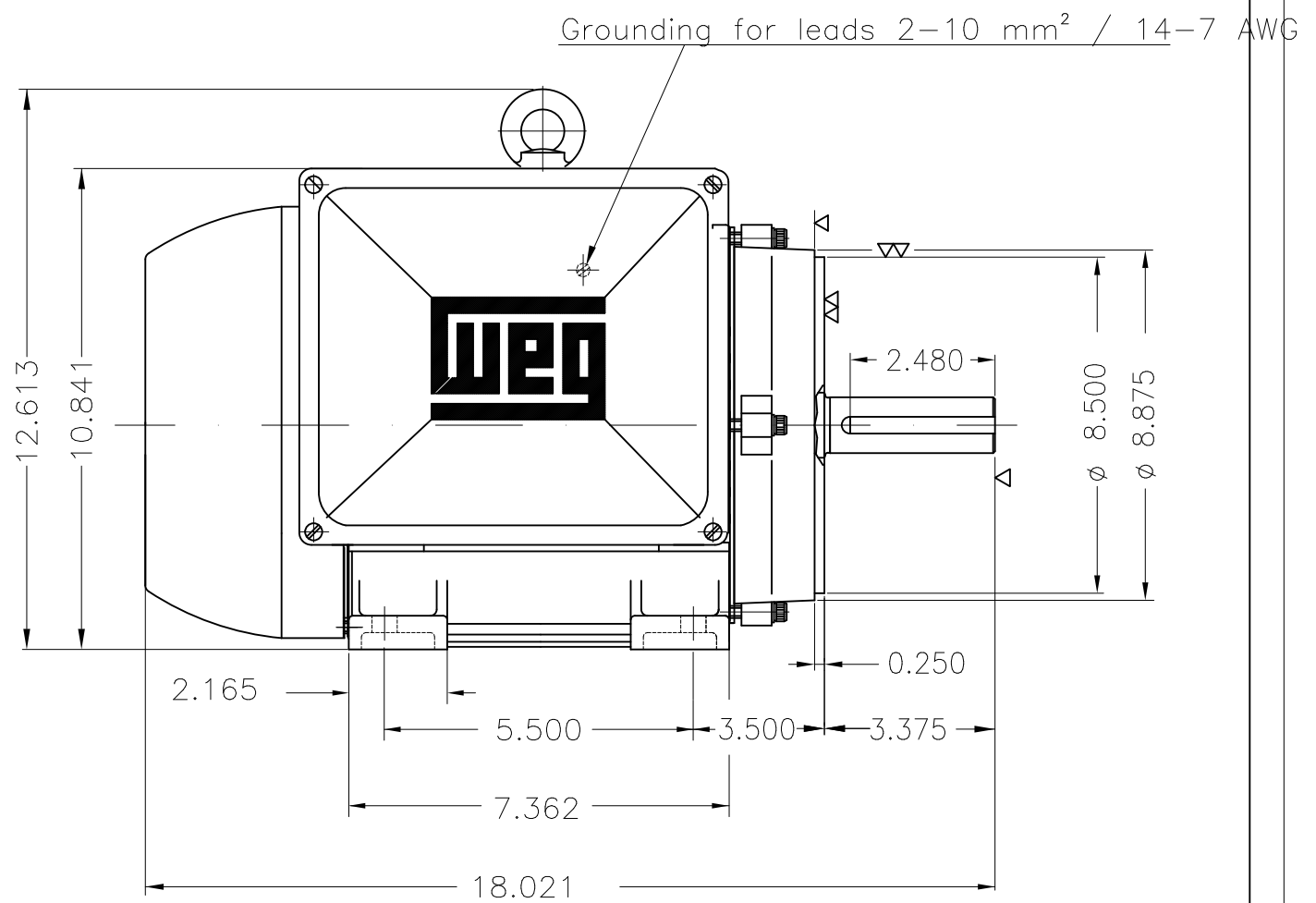
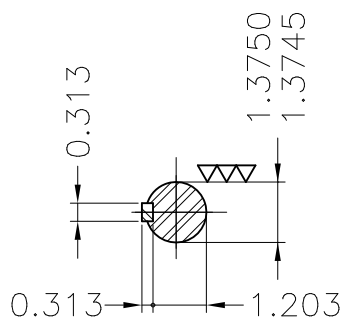
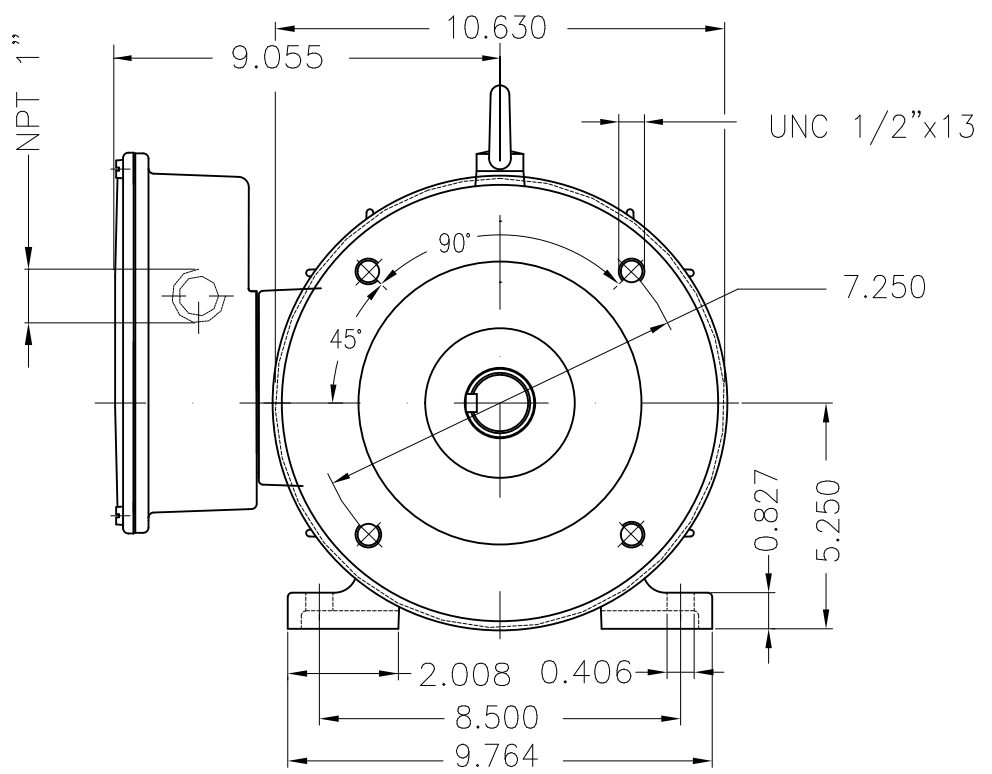


THIS IS AN UPDATED REVISION, THE PREVIOUS ONE MUST BE DISREGARDED.



Bearing cap											
Mounting B34R(D)											
ECM	LOC	SUMMARY OF MODIFICATIONS					EXECUTED	CHECKED	RELEASED	DATE	VER
EXECUTED	USERADMIN	SINGLE PHASE MOTOR									
CHECKED		FRAME 213TC IP55 TEFC									
RELEASED		WEG code: 10016385									
REL DT	24.07.2017	WMO	Jaragua do Sul	Product Engineering	SHEET	1 / 1					

7.5 HP    02 Poles    60Hz

A

