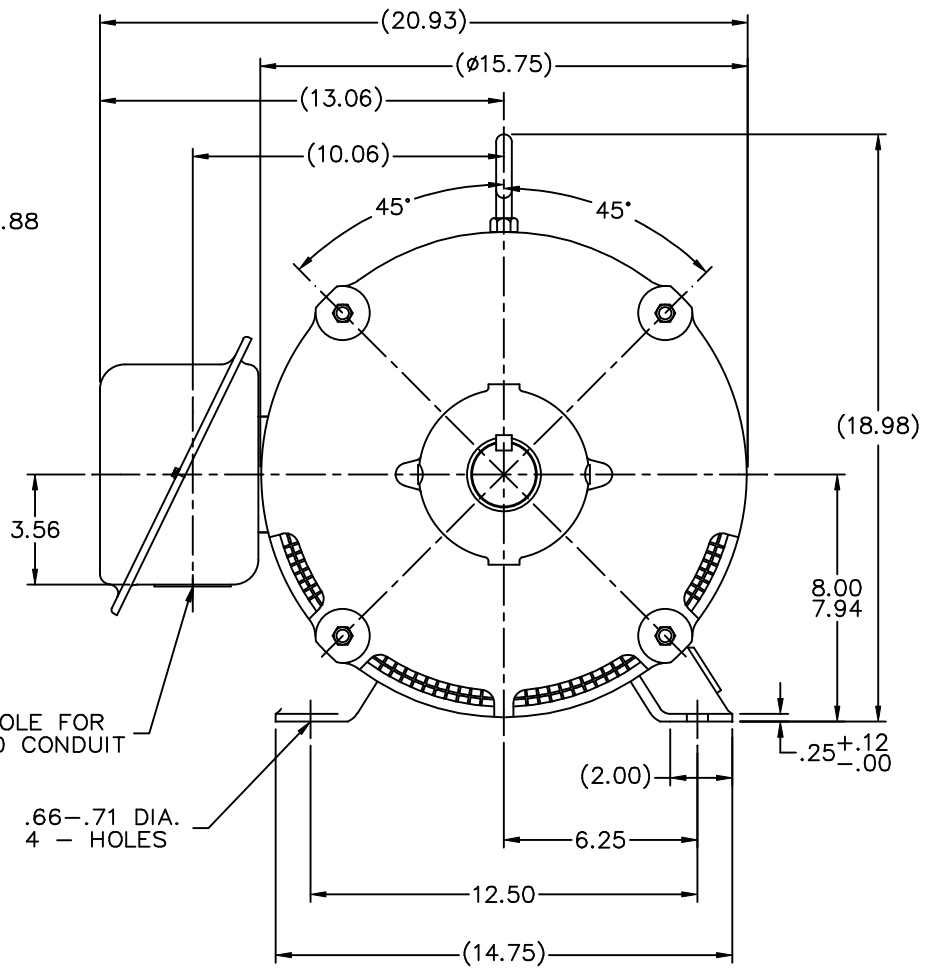


.50x.50x3.88 KEY



HOLE FOR 2.00 CONDUIT

.66-.71 DIA. 4 - HOLES

- NOTES:
 1. NAMEPLATE READ FROM C'BOX SIDE OF MOTOR
 2. BOX CAN BE ROTATED IN 90° STEPS
 3. BOX CAN BE MOUNTED ON OPPOSITE SIDE BY REMOVING BRACKETS AND TURNING FRAME 180°

DASH	FRAME	B	C	2F	BS	MTG.
1250	324T	12.25	26.00	10.50	5.25	F1 OR F2
1400	326T	13.75	27.50	12.00	6.00	F1 OR F2
1450	324T/6T	12.25	28.00	10.50	6.25	F1 OR F2
1500	326T	13.75	28.50	12.00	6.40	F1 ONLY
1750	326T	13.75	31.00	12.00	9.12	F1 ONLY

			TOLERANCES UNLESS SPECIFIED		MARATHON ELECTRIC		DRAWN MJD 2/11/2000	
			DEC.	INCHES			CHK	ML 2/15/2000
			.X	±.1			APPD	DD 2/15/2000
3	ADDED FOOT THICKNESS DIM.	CN48095	TJW	3/23/2007	ML	.XX ±.03	TITLE OUTLINE 320 FR. DR.PR. INDUCTION GENERATOR	
2	UPDATED DORDER AND DASH 1450	MU40591	CAV	2/27/2002	DD	.XXX ±.005	SCALE 1=4	
1	NEW DRAWING	MU28841	MJD	2/16/2000	DD	.XXXX ±.0005	REF	
NO.	REVISION		BY & DATE		CHK	ANG ±1/2"	FMF	
THIS DRAWING IN DESIGN AND DETAIL IS OUR PROPERTY AND MUST NOT BE USED EXCEPT IN CONNECTION WITH OUR WORK ALL RIGHTS OF DESIGN AND INVENTION ARE RESERVED THIS IS AN ELECTRONICALLY GENERATED DOCUMENT - DO NOT SCALE THIS PRINT					RFP	CAD FILE SS300978		PREV
			DIST LB		SIZE B		DRAWING NO. PAGE 1 OF 1 REV. SS300978 3	