

Product Information Packet

November 7, 2016

Data shown is for the current revision model #. Ensure your nameplate model # matches.

Model Number:	5KS215ATE204A
Catalog Number:	E7643
Instruction Manual:	GEI-M1023
Connection Diagram:	GEM2034E-FIG7
Outline Drawing:	358B6215AB

Accessory Connection Diagrams			
Bearing Thermocouple:	None	Heater:	None
RTD:	None	Thermistor:	None
Thermostat:	None	Winding Thermocouple:	None
Bearing RTD:	None		

Table of Contents	
Specification	01
Performance Characteristics	02
Outline Drawing	03
Connection Drawing(s)	04

Marks:

MODEL NUMBER:	5KS215ATE204A	Estimated Weight:	188 Lbs
Outline Drawing:	358B6215AB	Time Rating:	CONT
Connection Diagram:	GEM2034E-FIG7	Enclosure:	DP
Instruction Book:	GEI-M1023	Encl Construction:	OPEN
Design Code:	21AD1007B	Ambient Max(°C):	40
Type:	KS	Alt Ambient Max(°C):	--
Frame:	215T	Insulation Class:	F
Phases:	3	NEMA Design:	A
Poles:	4	Nominal Efficiency:	91.7 %
Output Power:	10HP 7.4KW	Guaranteed Efficiency:	90.2
RPM:	1765	3/4 Load Efficiency:	92.5
Voltage:	575	KVA Code:	K
Hertz:	60	Max KVAR:	3.7
Amps - FL:	9.9	Power Factor:	81.0
Service Factor:	1.15	Bearing - DE:	6308ZZ
Alt Service Factor:	--	Bearing - ODE:	6208ZZ

Enclosure is Dripproof

Stamped Nameplate Notes:**Additional Information:**

4 POLE DRIP PROOF
 CONDUIT BOX MATERIAL: STAMPED STEEL
 CONDUIT BOX VOL: 50.3 CU IN
 NO. OF MOTOR LEADS: 3
 NOT USEABLE AT 200 VOLTS
 GREASE TYPE: SHELL ALVANIA R3 LITHIUM
 SOUND POWER DATA: 69.8
 INVERTER DUTY PER NEMA MG1 PART 31
 FOR VARIABLE TORQUE LOADS

Performance Characteristics

1st Winding 1st Connection

Design: 21AD1007B

Marks:

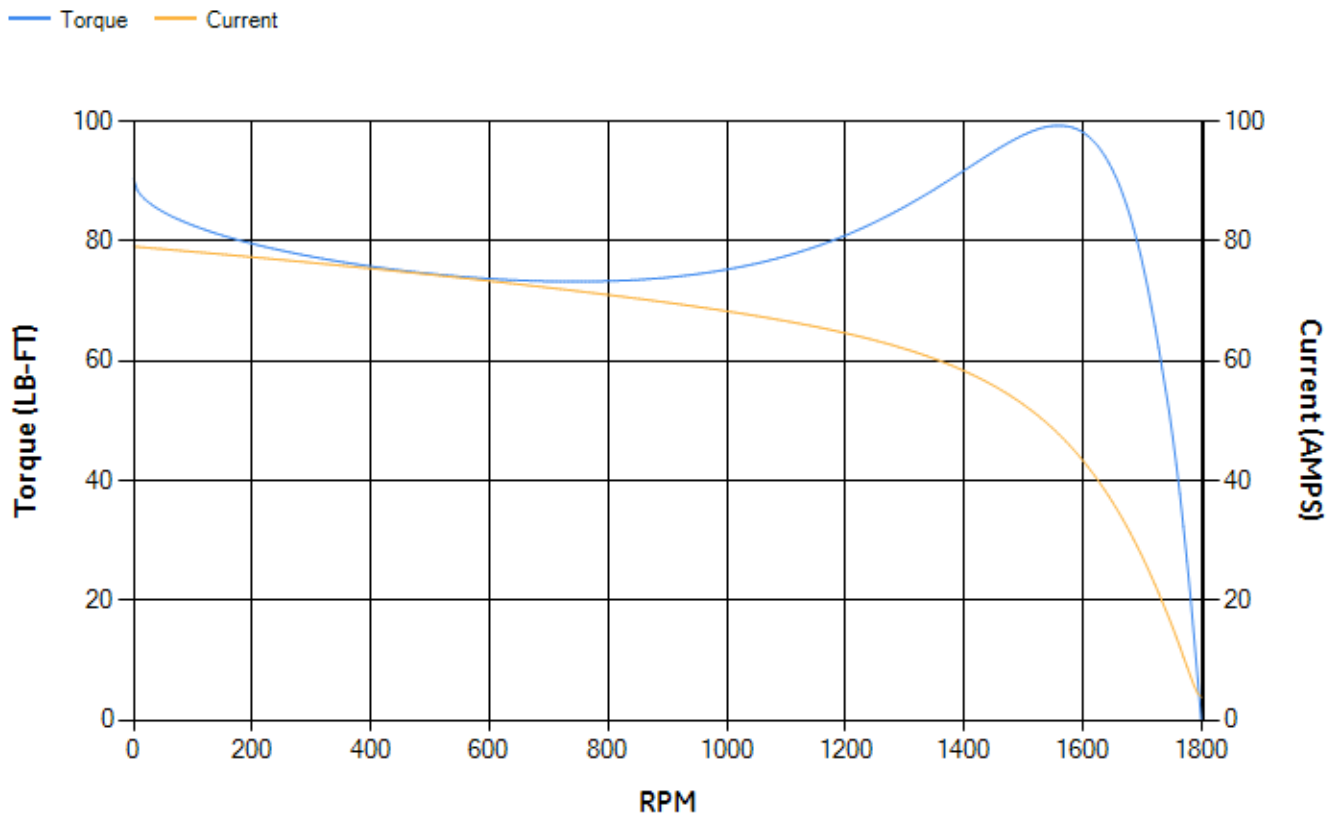
LOAD %	125.0	115.0	100.0	75.0	50.0	25.0	0.0
% EFF	90.94	91.39	92.16	92.5	92.13	88.64	0.00
% PF	84.32	83.82	82.52	78.17	68.45	46.76	5.33
AMPS	12.21	11.24	9.85	7.77	5.94	4.52	3.81

TORQ(FL)#FT	29.73	TORQ(LR)%FL	304.1	TORQ(BD)%FL	330.92
AMPS(LR)	79.08	PF AT START	0.44		

This motor is capable of two cold or one hot start with a maximum connected load inertia of 322 Lb-Ft Sq (13.56 Kg-meter Sq)at 100% voltage, where the load torque varies with the square of the speed. Acceleration time with maximum inertia and the above load type is 27 seconds. Safe stall time at 100% voltage is 66 seconds cold, 43 seconds hot. Rotor inertia is 1.01 Lb-Ft Sq (0.04 Kg-meter Sq).

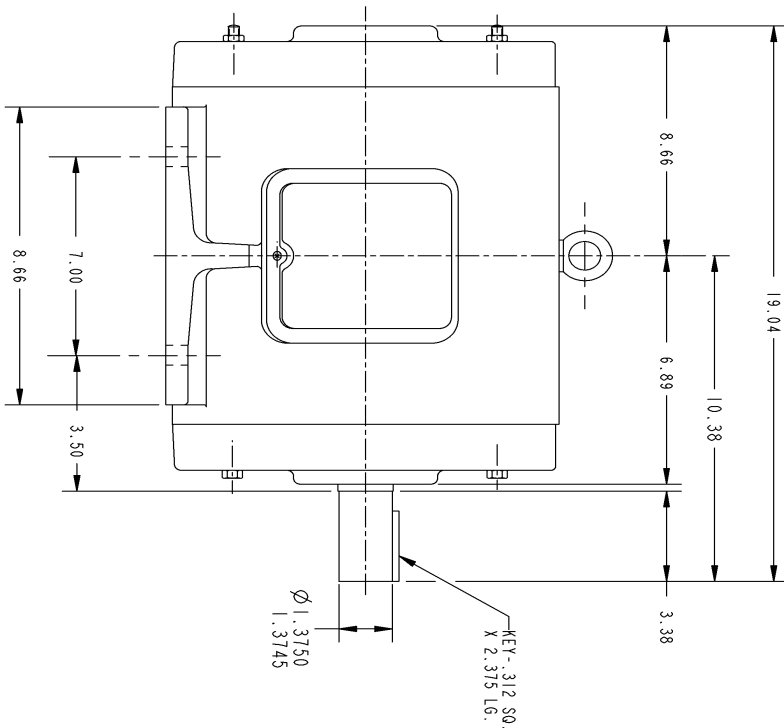
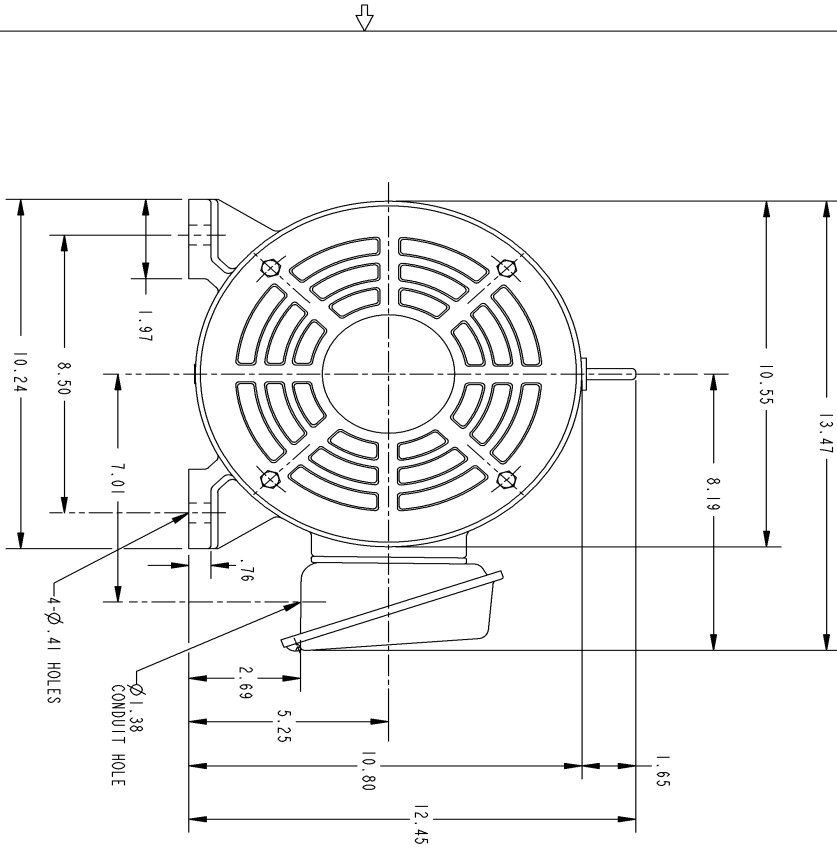
Open Circuit A-C:	0.351	Short Circuit D-C:	0.011
Short Circuit A-C:	0.015	X/R Ratio:	4.126
Stator Slots:	48	Rotor Slots:	40

Speed Torque Current Curve (First Connection, First Speed)



NAME:501452442 OBJECT:358B6215AB DATE:23-May-07 23:46:58

Marks:

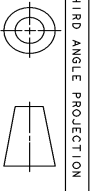


GE PROPRIETARY INFORMATION
 This drawing is the property of General Electric Company (GE) and contains confidential information. It is intended for use only by the recipient and is not to be distributed, copied, or otherwise used without the prior written consent of GE. This drawing is the property of GE and is not to be used for any other purpose without the prior written consent of GE. This drawing is the property of GE and is not to be used for any other purpose without the prior written consent of GE. This drawing is the property of GE and is not to be used for any other purpose without the prior written consent of GE.

REV.	DESCRIPTION	DATE	APPROVED
1	ISAAC 07-0770	05/02/07	R. KOHNE

NOTES :

1. CONDUIT BOX MAY BE PLACED WITH THE ENTRANCE DOWN, UP OR ON EITHER SIDE.
2. F-1 ASM AS SHOWN.
3. F-2 ASM - HAS CONDUIT BOX ON OPPOSITE SIDE.



THIRD ANGLE PROJECTION

UNLESS OTHERWISE SPECIFIED:		SIGNATURES		DATE	
DIMENSIONS ARE IN INCHES		DRAWN		P. RAJU 03/28/03	
TOLERANCE ON:		CHECKED		PRABHAKAR 03/27/03	
2 PL DECIMALS ±		ENGRS			
3 PL DECIMALS ±		ISSUED		PRABHAKAR 03/27/03	
ANGLES ± 1°		APPLIED PRACTICES			
MATERIAL:		SIZE/DRAWING		REV.	
		B		1	
		SCALE: DRAWING SCALE		SHEET 1 OF 1	
		GENERAL ELECTRIC COMPANY			
		Fort Wayne, Indiana			
		OUTLINE			
		215T - OPEN DRIP PROOF			
		358B6215AB			
DISTRIBUTION:					

Marks:

Connection Diagram
GEM2034E-FIG7

