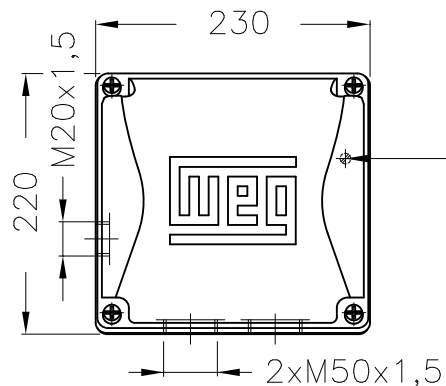
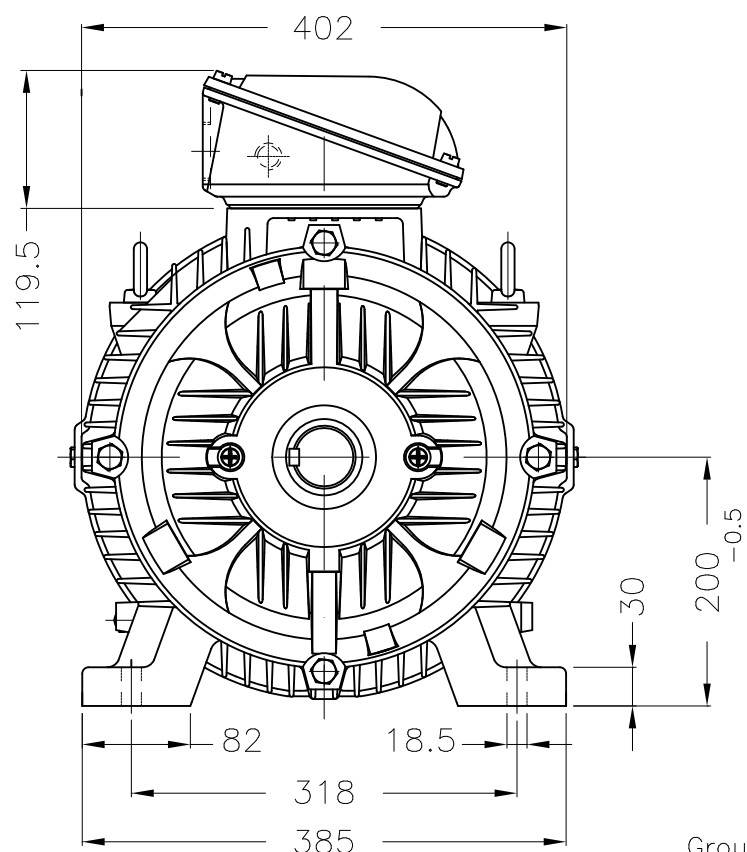


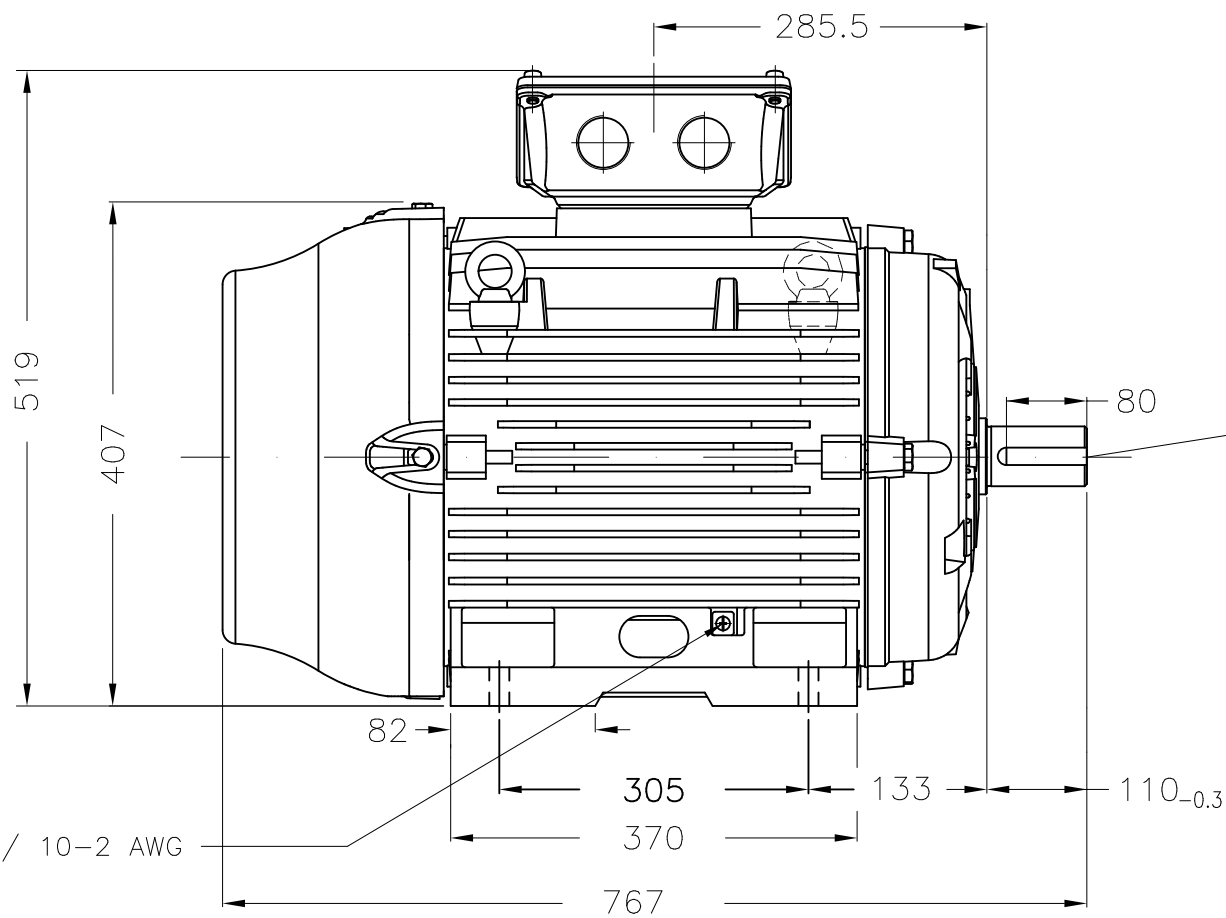
Dimensões em mm
Dimensions in mm

THIS IS AN UPDATED REVISION, THE
PREVIOUS ONE MUST BE DISREGARDED.



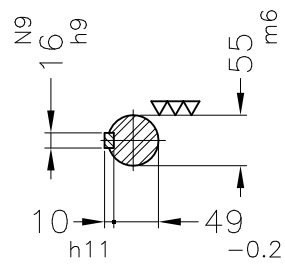
Main terminal box

Grounding for leads 5.2–35 mm² / 10–2 AWG



Center hole
DM20 WEG TBG12
(DIN 332)

Grounding for leads 5.2–35 mm² / 10–2 AWG

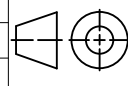


DE Shaft End

Color RAL 5009

Painting plan 205P

Mounting B3T

ECM	LOC	SUMMARY OF MODIFICATIONS	EXECUTED	CHECKED	RELEASED	DATE	VER
EXECUTED	USERADMIN	 THREE PHASE W22 MOTOR - NON SPARKING ARP FRAME 200L IP55 TEFC WEG code: 12919638					
CHECKED							
RELEASED							
REL DT	24.07.2017	WMO	Jaragua do Sul	Product Engineering	SHEET	1 / 1	

30 kW 02 Poles 50 Hz

A

WEG's property. Forbidden reproduction without previous authorization.



ZME A3