

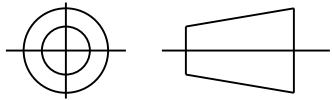
RBC PROPRIETARY AND CONFIDENTIAL INFORMATION

This document is the property of Regal Beloit Corporation ("RBC") including its subsidiaries and divisions and contains proprietary information of RBC. This document is loaned on the express condition that neither it nor the information contained therein shall be disclosed to others without the express written consent of RBC Motors, and that the information shall be used by the recipient only as approved expressly by RBC Motors. This document shall be returned to RBC upon its request. This document may be subject to certain restrictions under U.S. export control laws and regulations.

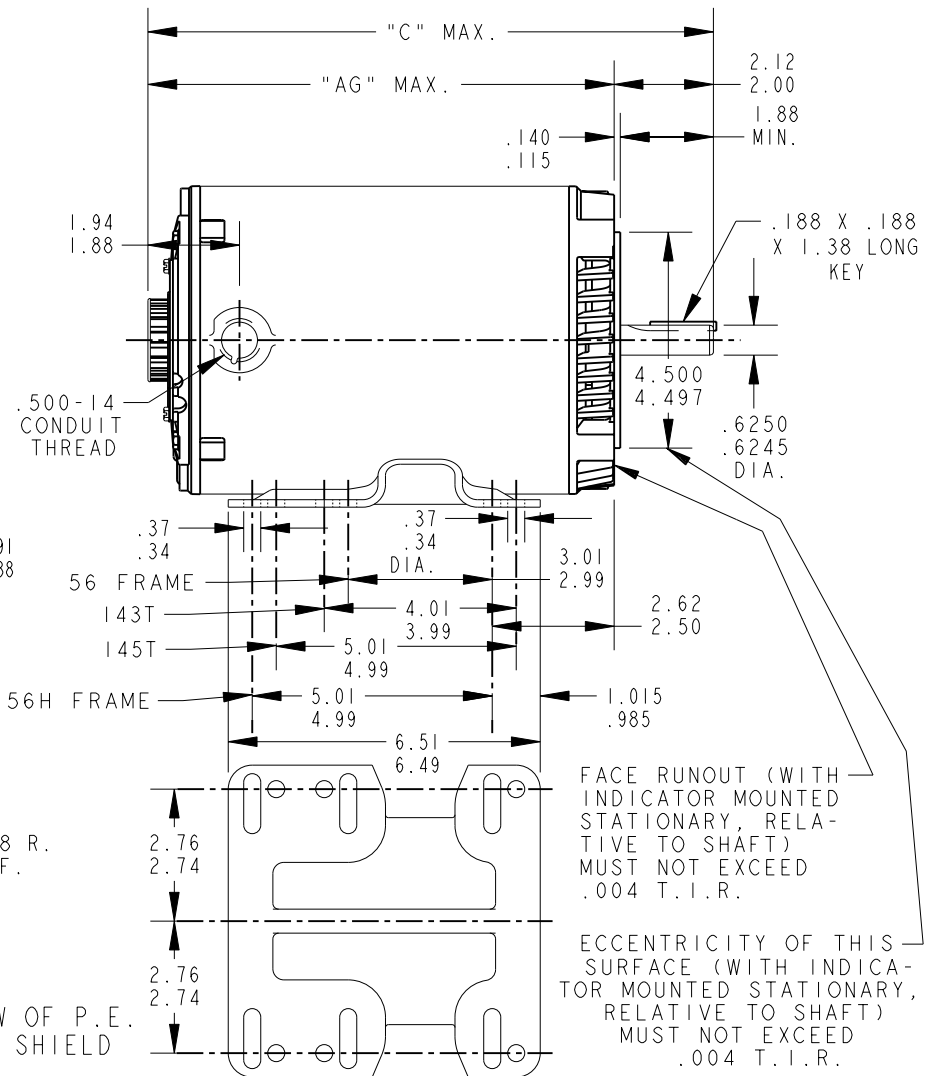
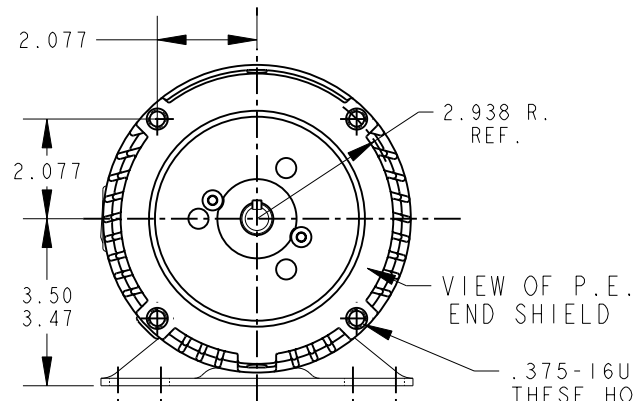
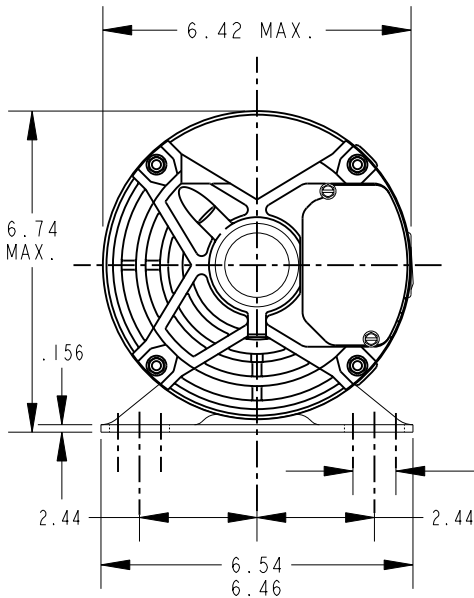
REVISIONS

REV	DESCRIPTION	DATE	APPROVED
1	CHG. MADE AS PER ISO5-1577	07/06/05	PRAVEEN.K

THIRD ANGLE PROJECTION



SIZE DWG NO 52A111662




.375-16UNC-2B (4 HOLES) .70 MIN. FULL THREAD. THESE HOLES FIT A GAGE HAVING A RABBIT 4.5005 DIA. AND 4 PINS .2917 DIA. LOCATED ON THE BASIC HOLE POSITIONS.

ALL DIMENSIONS ARE IN INCHES

3	K	46	56HC	10.78	8.66	6.55
2	K	49	56HC	11.91	9.79	7.68
1	K	49	56HC	13.86	11.74	9.63
P	TYPE	GE SIZE	NEMA FR.	"C"	"AG"	MIN. SHELL

UNLESS OTHERWISE SPECIFIED	SIGNATURES	DATE
DIMENSIONS ARE IN INCHES	DRAWN PRAVEEN.K	06/28/05
TOLERANCES ON:	CHECKED	
2 PL DECIMALS ±	ENGRG	
3 PL DECIMALS ±	ISSUED DEBRAJ	06/28/05
ANGLES ±		
FRACTIONS ±		
MATERIAL:		
APPLIED PRACTICES:	FILE - 0-106C	



REGAL-BELOIT CORPORATION

TITLE **OUTLINE** GENERAL PURPOSE MOTOR
DRIP PROOF - BALL BEARING - WELDED BASE
R2 END MOUNTED

FMF - 40 FRAME REDESIGN

SIZE A	FSCM NO 0125	DWG NO 52A111662
SCALE .25:1	SHEET 1 OF 1	

DISTR TO F114(4), B201, J10(4), J11, J12(5)