

DATE
OCTOBER 29, 2009
CAT. #: GPV7/54C

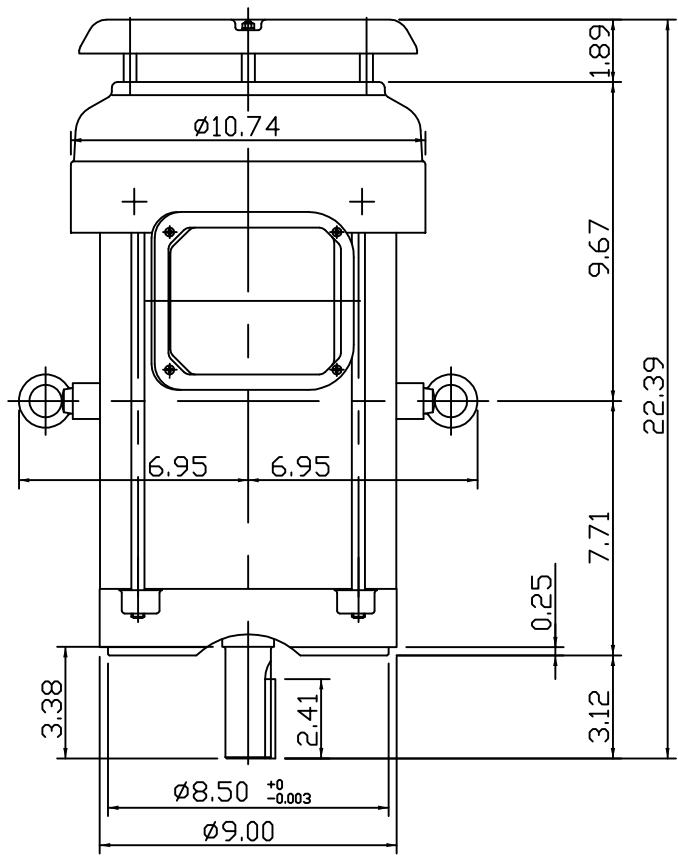
OUTLINE DIMENSIONS
3-PHASE INDUCTION MOTOR

MOTOR TYPE:
AETHCF
FRAME NO. 213TC

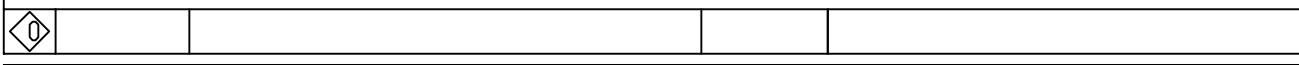
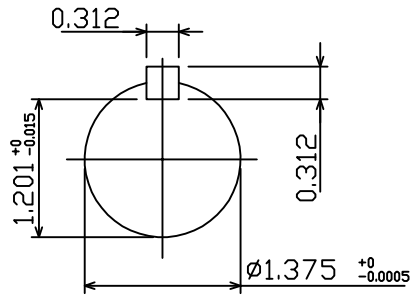
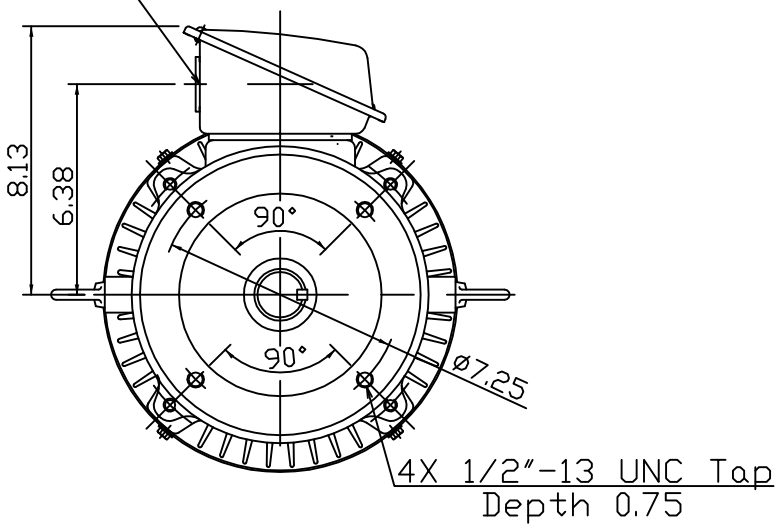
Pole	HP	kW	Hz	VOLT	Syn.Speed r/min(rpm)
4	7.5	5.6	60	230/460	1800

Ins	Rating	Dimension in	Approx Weight	Bearings
F	CONT.	inches	135 lbs.	DE: 6208ZZC3 NDE: 6206ZZC3

Totally Enclosed Fan-Cooled Type. Squirrel-Cage Rotor.



Ø1.38" CONDUIT HOLE



DWN.	Y.S.LIN	10 01 09
CHKD.	J.H.LIANG	10 06 09
APPD.	M.C.TSAI	10 06 09



DWG NO.
31049R195010