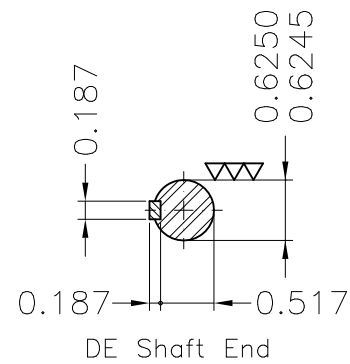
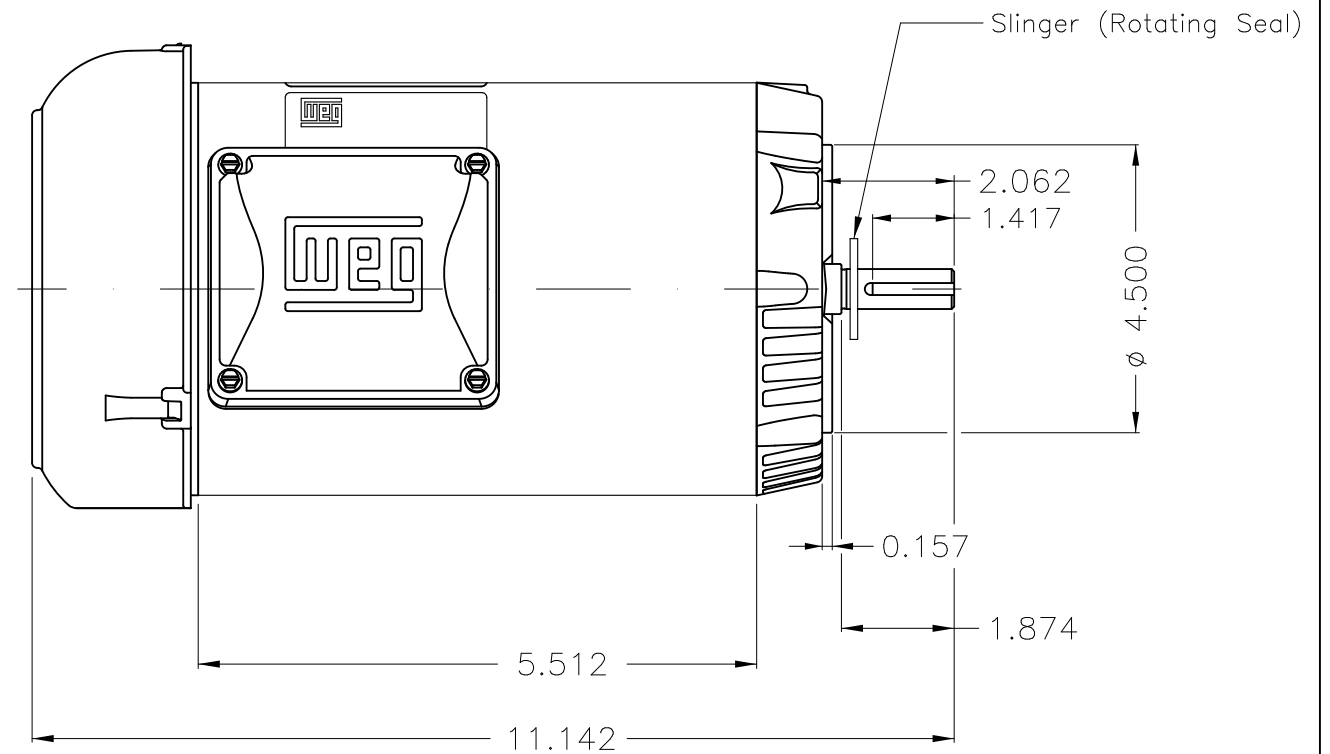
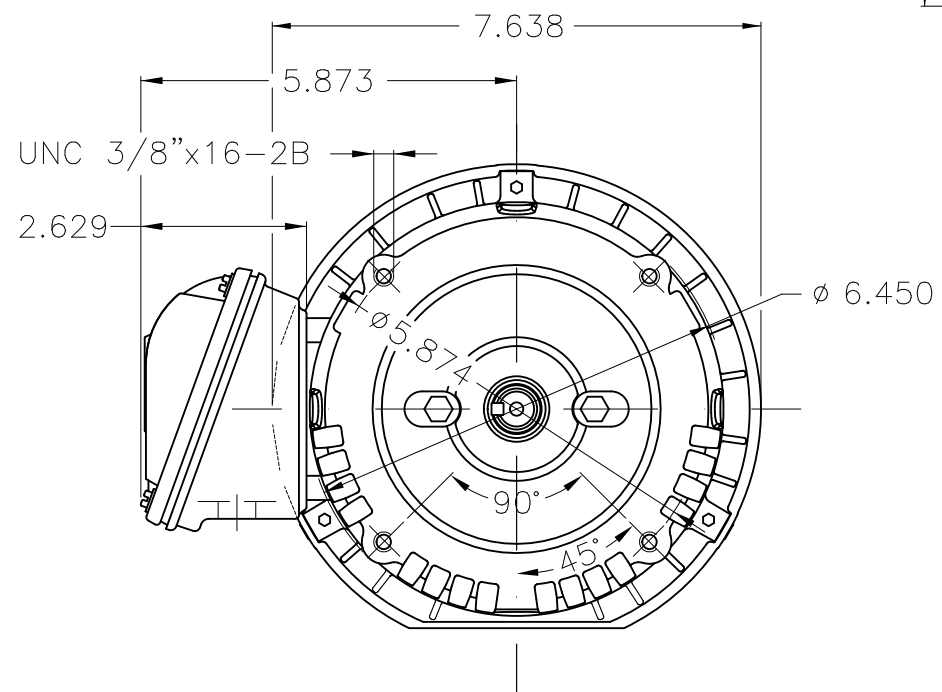
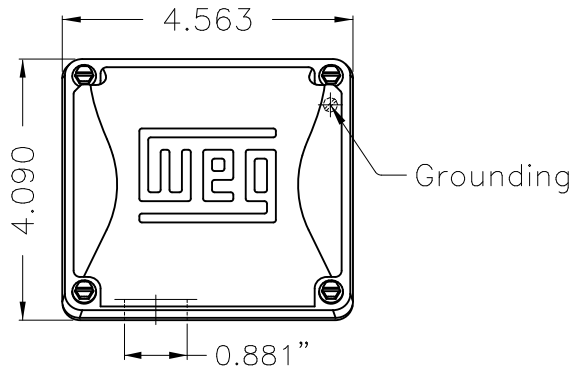


1 2

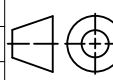
Dimensões em polegada  
Dimensions in inches

5 6

THIS IS AN UPDATED REVISION, THE  
PREVIOUS ONE MUST BE DISREGARDED.



Color Munsell N 1 matte black  
Painting plan 207N  
Mounting F-1/B14R(D)

| ECM      | LOC        | SUMMARY OF MODIFICATIONS   |                |                     | EXECUTED | CHECKED | RELEASED | DATE | VER |
|----------|------------|--|----------------|---------------------|----------|---------|----------|------|-----|
| EXECUTED | USERADMIN  |  THREE PHASE MOTOR TEFC ROLLED STEEL<br>FRAME 56C IP55 TEFC<br>WEG code: 12895583 |                |                     |          |         |          |      |     |
| CHECKED  |            |  |                |                     |          |         |          |      |     |
| RELEASED |            |  |                |                     |          |         |          |      |     |
| REL DT   | 24.07.2017 | WMO  | Jaragua do Sul | Product Engineering | SHEET    | 1 / 1   |          |      |     |

0.33 HP 02 Poles 60Hz

A



ZME A3