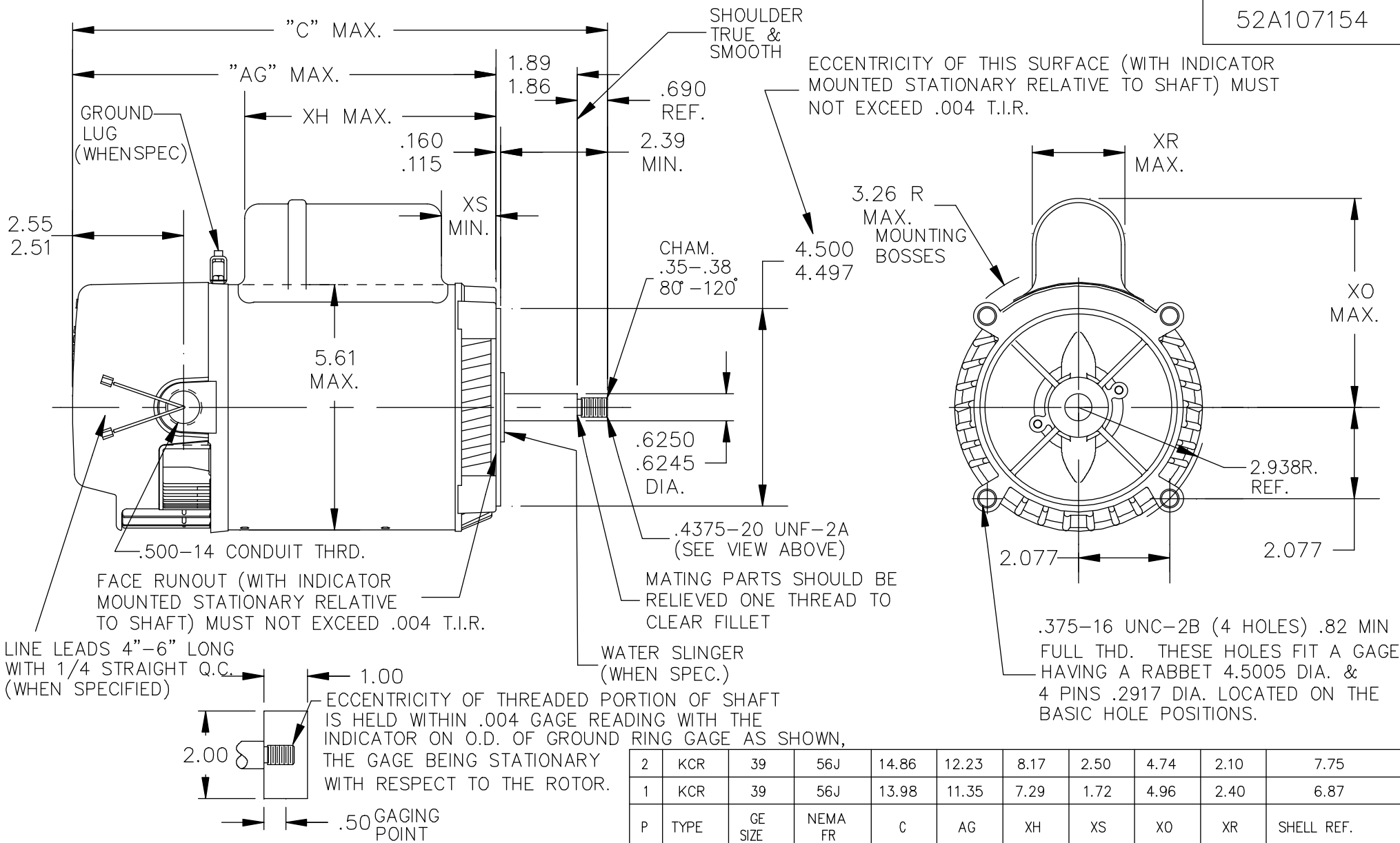


52A107154



| | | | | | | | | | | |
|---|------|---------|---------|-------|-------|------|------|------|------|------------|
| 2 | KCR | 39 | 56J | 14.86 | 12.23 | 8.17 | 2.50 | 4.74 | 2.10 | 7.75 |
| 1 | KCR | 39 | 56J | 13.98 | 11.35 | 7.29 | 1.72 | 4.96 | 2.40 | 6.87 |
| P | TYPE | GE SIZE | NEMA FR | C | AG | XH | XS | XO | XR | SHELL REF. |

| NO. | REVISION | BY & DATE | CHK | TOLERANCES UNLESS SPECIFIED | | FINISH | CAD FILE | SIZE | DRAWING NO. | REV. |
|-----|--|--------------|------|-----------------------------|--------|--|-----------|------|-------------|------|
| | | | | DEC. | INCHES | | | | | |
| 9 | JET/POOL IS REPLACED BY JET PUMP PER ECO-0033464 | PVR 05/15/13 | DS | .X | ±.1 | | | | | |
| 8 | OUTLINE DIMN. CHG AS PER ISO8-0574 | BAL 02/26/08 | | .XX | ±.03 | TITLE | | | | |
| 7 | CHG TO RBC FORMAT PER ISO5-1777 | SUD 02/21/06 | | .XXX | ±.005 | 2 COMPARTMENT UPGRADE - 56J - JET PUMP | | | | |
| 6 | REDRAWN BY 2M SOFTWARE CO. | CCP 03/06/95 | | .XXXX | ±.0005 | MAT'L. | | | | |
| | | | | ANG | ±1/2' | | | | | |
| | | | RFP | | | | 52A107154 | A | 52A107154 | 9 |
| | | | DIST | | | | | | | |

THIS DRAWING IN DESIGN AND DETAIL IS OUR PROPERTY AND MUST NOT BE USED EXCEPT IN CONNECTION WITH OUR WORK ALL RIGHTS OF DESIGN AND INVENTION ARE RESERVED THIS IS AN ELECTRONICALLY GENERATED DOCUMENT - DO NOT SCALE THIS PRINT