

Product Information Packet

January 13, 2017

Data shown is for the current revision model #. Ensure your nameplate model # matches.

Model Number:	5KS284SAE222A
Catalog Number:	V986
Instruction Manual:	GEK-95655
Connection Diagram:	GEM2034E-FIG9
Outline Drawing:	4002B5828PLP5210

Accessory Connection Diagrams			
Bearing Thermocouple:	None	Heater:	3027JE-1C
RTD:	None	Thermistor:	None
Thermostat:	None	Winding Thermocouple:	None
Bearing RTD:	None		

Table of Contents	
Specification	01
Performance Characteristics	02
Outline Drawing	03
Connection Drawing(s)	04

Marks:

MODEL NUMBER:	5KS284SAE222A	Estimated Weight:	460 Lbs
Outline Drawing:	4002B5828PLP5210	Time Rating:	CONT
Connection Diagram:	GEM2034E-FIG9	Enclosure:	TEFC
Instruction Book:	GEK-95655	Encl Construction:	SD
Design Code:	28BD1162A	Ambient Max(°C):	40
Type:	KS	Alt Ambient Max(°C):	--
Frame:	L284HP10	Insulation Class:	H
Phases:	3	NEMA Design:	B
Poles:	4	Nominal Efficiency:	93.6 %
Output Power:	25HP 18.5KW	Guaranteed Efficiency:	92.4
RPM:	1780	3/4 Load Efficiency:	94.1
Voltage:	230/460	KVA Code:	G
Hertz:	60	Max KVAR:	7.0
Amps - FL:	58.2/29.1	Power Factor:	86.0
Service Factor:	1.15	Bearing - DE:	6310ZC3
Alt Service Factor:	--	Bearing - ODE:	6310-2ZC3

Enclosure is Totally Enclosed Fan-Cooled

Stamped Nameplate Notes:

PREMIUM EFFICIENT MOTOR
HTR LDS HE1-HE2 115V 60W
SEVERE DUTY
INVERTER DUTY PER NEMA MG1 PART 31
ALTERNATE RATING FOR PWM CONTROL:
1.0 SF VAR TORQUE RANGE 0-60 HZ
IP 55
SUITABLE FOR 190/380V 50 HZ WITH
69.6/34.8 AMPS AND 1470 RPM AT 1.0 S.F

Additional Information:

4P - HP EXTN
C/BOX 137 CU IN-1.50 NPT
AUX LEADS EXIT WITH MOTOR LEADS
RCF 5000 CPM, STATIC DEFLECTION .0014 INCHES &
CENTER OF GRAVITY 12.00 INCHES
SOLID SHAFT NORMAL THRUST
OIL RESISTANT SLEEVING ON LEADS
BEARING LIFE 8760 HOURS AT 968 LB THRUST
SLINGER ON BOTH ENDS AND BRASS T DRAIN

Performance Characteristics

1st Winding 1st Connection

Design: 28BD1162A

Marks:

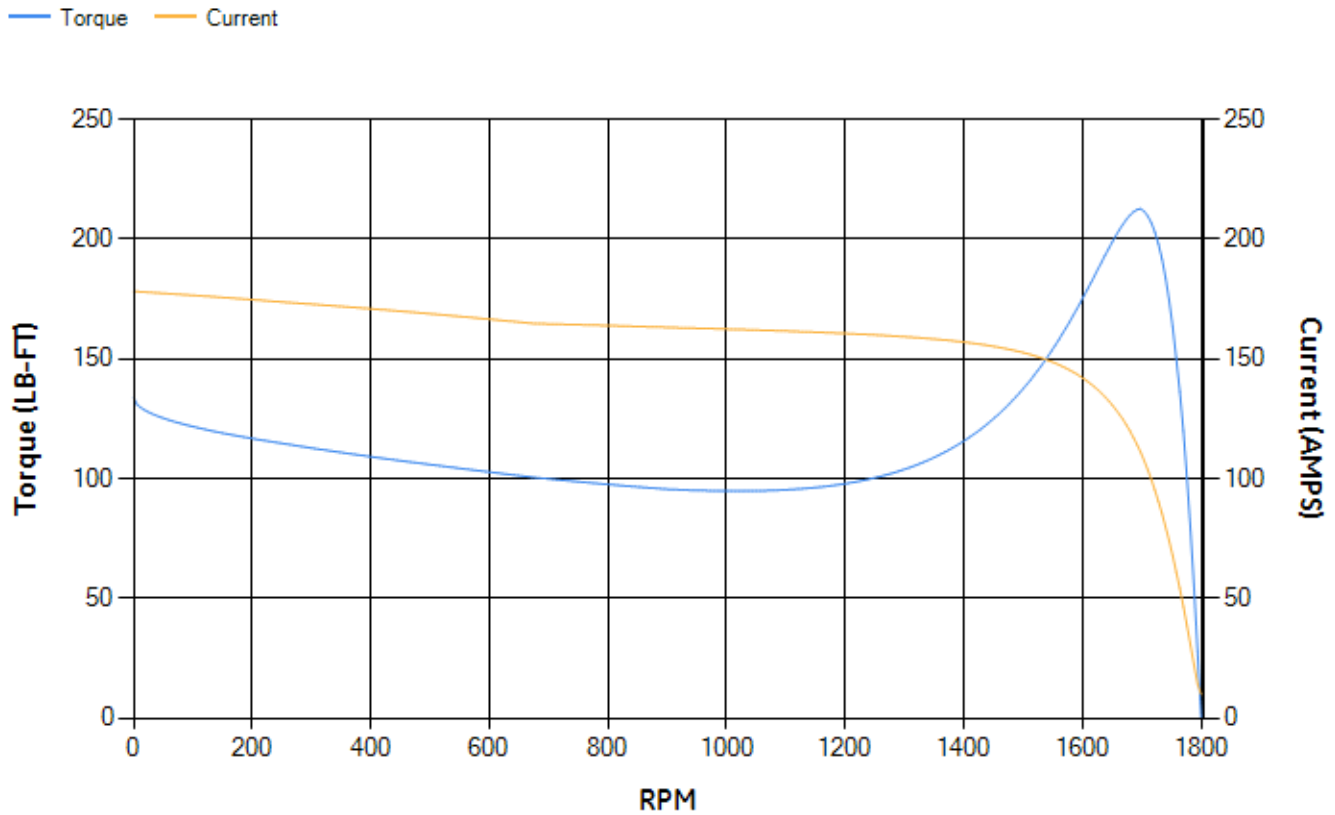
LOAD %	125.0	115.0	100.0	75.0	50.0	25.0	0.0
% EFF	92.52	92.94	93.68	94.08	94.02	91.68	0.00
% PF	86.96	86.73	85.92	82.68	74.44	52.93	4.42
AMPS	36.35	33.38	29.05	22.56	16.72	12.05	9.8

TORQ(FL)#FT	73.83	TORQ(LR)%FL	181.28	TORQ(BD)%FL	286.96
AMPS(LR)	178.14	PF AT START	0.38		

This motor is capable of two cold or one hot start with a maximum connected load inertia of 887 Lb-Ft Sq (37.34 Kg-meter Sq)at 100% voltage, where the load torque varies with the square of the speed. Acceleration time with maximum inertia and the above load type is 56 seconds. Safe stall time at 100% voltage is 100 seconds cold, 67 seconds hot. Rotor inertia is 4.93 Lb-Ft Sq (0.21 Kg-meter Sq).

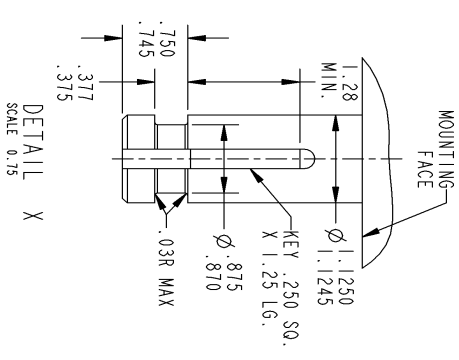
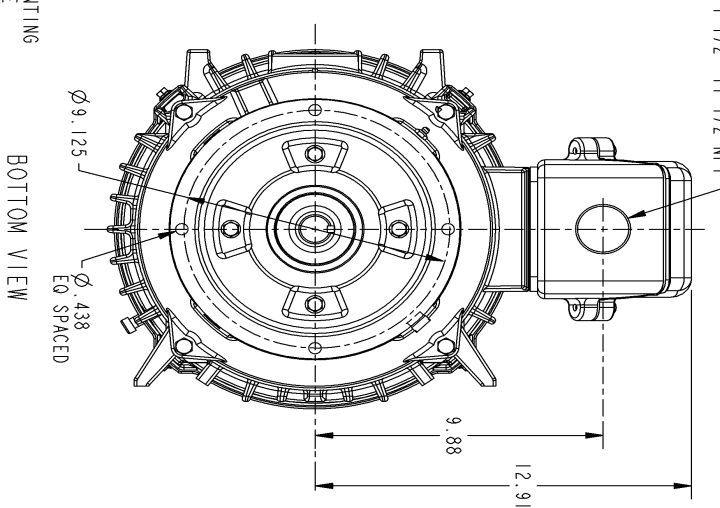
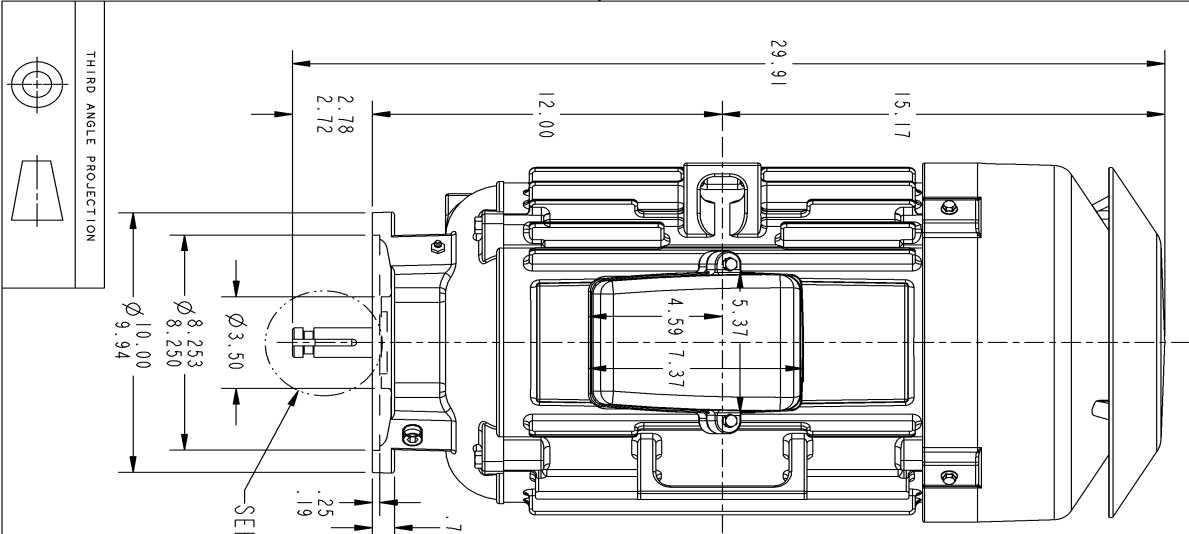
Open Circuit A-C:	0.627	Short Circuit D-C:	0.016
Short Circuit A-C:	0.028	X/R Ratio:	5.887
Stator Slots:	48	Rotor Slots:	40

Speed Torque Current Curve (First Connection, First Speed)



NAME:320002939 OBJECT:4002B5828PLP5210 DATE:24-Sep-09 19:53:07

Marks:



SIZE DRAWING NO. 4002B5828PLP5210

REV.	DESCRIPTION	DATE	APPROVED
1	ISAAC 09-0114	09/24/09	DAN

NOTE 1 : CONDUIT BOX MAY BE ASSEMBLED WITH ENTRANCE UP, DOWN OR TO EITHER SIDE.

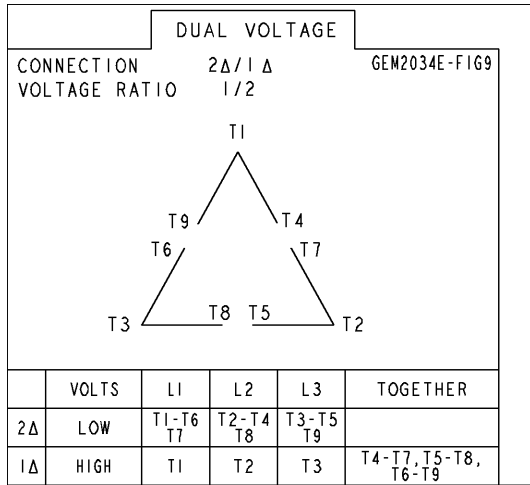
SIGNATURES	DATE	REV.
DRWN: GARY WARDNER	JAN 02/02	1
CHEKED: GARY WARDNER	FEB 20/02	
ENGR: GARY WARDNER	MAY 03/02	
ISSUED: GARY WARDNER	MAY 03/02	
APPLIED PRACTICES:		

GE Industrial Systems
GENERAL ELECTRIC COMPANY
 Fort Wayne, Indiana
INDUCTION MOTOR OUTLINE
 SOLID SHAFT - NORMAL THRUST
 FMP: FRL280HP STANDARD 4P TEFC XSD ULTRA
4002B5828PLP5210
 SCALE: 0.250 REF. NO: 4002B5828PLP210 SHEET 1 OF 1

DISTRIBUTION: PMP-18K15

Marks:

Connection Diagram
GEM2034E-FIG9



Heater Connection
3027JE-1C

